

0.11



# 卫生管件 Sanitary fittings

国家高新技术企业 浙江省著名商标  
[www.cndonjoy.com](http://www.cndonjoy.com)



东正一直致力于技术进步，是您值得信赖的事业伙伴！  
Donjoy committing to major technological advances, is your reliable business partner!

0.1	自控调节阀+控制器 Automatic control regulating valve +Control head
0.2	生物制药隔膜阀 Biopharmaceutical diaphragm valve
0.3	高洁净泵 High purity pumps
0.4	防混蝶阀+蝶阀 Mixing proof butterfly valve +Butterfly valve
0.5	球阀 Ball valve
0.6	截止换向阀+防混阀+罐底阀 Divert seat valve+Mixing proof valve +Tank bottom valve
0.7	角座阀+截止阀 Angle seat valve+Globe valve
0.8	止回阀+恒压阀+安全阀+减压阀 Check valve+constant pressure valve+safety valve +air release valve
0.9	清洁技术+取样阀+视镜+照明技术 Clean technology+sample valve+sight glass +lighting technology
0.10	过滤器+人孔 Filter+man hole cover(manway)
0.11	卫生管件 Sanitary fittings ASME BPE DIN11852 Bs4825 SMS ISO IDF 3A



注意：  
目录技术资料仅供设计参考，  
设计更新和技术升级恕不另行通知！

东正始终坚持以不断革新的技术、日新月异的市场发展和客户需求是当今我们面临的最大挑战。面对这些挑战我们信心十足，因为东正高度专业化的产品和技术创新，是我们未来将以更高、更优的产品来满足不断增长的市场需求。

Technological innovation, rapid development of the market and customer needs are the greatest challenges facing us today. Facing with these challenges we are confident, because of highly professional products and technological innovation, we will meet the growing demand of market and customer with our better and better products.

法律声明：  
目录样册版本属东正所有，如有抄袭东正将追究其法律责任和经济赔偿。东正已获得国家版权局书刊号。  
东正众多技术设计，都具有专利保护，如有抄袭，东正必将追究法律责任和经济赔偿。



领先源于创新 创新源于专业  
东正的专业与品质的邂逅源于创新的精神



现代化工厂已经投产，期待您的光临！  
温州空港经济园区生产基地  
Wenzhou airport economic zone production base

占地面积29000m<sup>2</sup>，总投资1.2亿元，新引进工业机器人、5轴加工中心、机器人抛光设备。

Covering an area of 29000 m<sup>2</sup>, with total investment after construction is expected to 120 million yuan, introduces new industrial robot, five axis machining center, machine Polishing equipment.

东正创立于1993年，注册资金5508万，是一家专注于研发高品质PID过程控制器、阀门定位器、流量控制器，阀门控制单元，高洁净过程控制阀、智能自控阀，高洁净泵、高洁净管材和管道配件。公司高度专业化的产品和技术专注于生物制药、食品饮料、酿酒、精细化工等工业领域。东正众多的创新解决方案，对满足全球，尤其是新兴市场不断增长生物制药和食品饮料行业的需求起到了积极作用。

东正制造的产品母材料、加工技术、焊接技术、表面处理等技术指标均已达到国内外先进水平。且符合ASME BPE、EHEDG、FDA、3A等一系列国际标准和规范要求，先后通过了由德国 TÜV机构实施的欧盟承压设备指令(PED-97/23/EC)和(MD-06/42/EC)认证、美国 3A机构实施的3-A卫生标准认证、中国安全阀特种制造设备(TS)许可证和中国质量认证中心CQC ISO9001:2008 质量管理体系认证等多项国际权威认证。

东正凭借先进的技术、优异的品质和完善的售后服务体系，先后被评定为国家高新技术企业，省著名商标、省科技型企业、创新型企业、专利示范企业、研发中心企业，守合同重信用AAA企业等众多荣誉。



# 关于东正 About DONJOY

Donjoy was built up in 1993, with registered capital RMB 55.08 millions. We focus on developing high quality PID process controller, the valve positioner, the flow controller, the valve control unit, high purity process control valve, intelligent self-control valve, high purity pump, high purity tubing fitting and pipeline accessories. Donjoy's products and technologies are widely used in biopharmaceutical, food, drink, wine fine chemicals and other industrial fields. Donjoy's innovation solutions meet the growing demand of the industry of biopharmaceutical, food and beverage from the whole world, especially the emerging market.

Raw material, processing technology, welding technology, surface treatment from Donjoy have achieved advanced levels of domestic and foreign market. Donjoy productions according to ASME BPE, EHEDG, FDA and 3A standard, get certificate of PED-97/23/EC and MD-06/42/EC issued by TUV, 3A issued by 3A organization, TS licence and ISO9001:2008.

Donjoy with advanced technology, excellent quality and perfect after-sales service system, has been assessed as the national high-tech enterprises, the Provincial Famous Trademark, the Provincial Science and Technology Enterprises, Innovative Enterprises, Patent Model Enterprises, R & D Center, AAA Credit Enterprises.



创立于2005年现代化工厂  
温州滨海经济开发区生产基地  
Wenzhou binhai economic development zone production base

**DONJOY high-purity valve, pump, control system, pipe and accessories, provide the most excellent solution for various business scopes.**



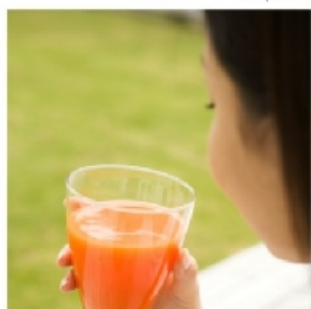
Biopharmaceutical



Dairy



Food



Beverage



Water Processing



Brewing



Fine Chemical



# 制造与检验 Manufacturing and testing



机器人生产线 Robot production line

全自动弯管设备 Automatic pipe bending equipment

DONJOY以科学技术是第一生产力，也是企业核心竞争力，只有不断投入核心技术研发和创新，不断追求卓越，精益求精、以先进生产设备，严格的质量管理体系，精密的生产检测流程，保证每一款产品优良的性能。

Science and technology constitute a primary productive force, also the core competitive strength of the enterprise. Continuously intensifying the research, development and innovation of core technology, pursuing prominence and keeping improving, ensuring the excellent quality and performance of every single product by advanced production equipment, strict quality control and precise production and inspection procedures.



至精 至洁 历久弥新

20多年的经验是您值得信赖的品牌-DONJOY

东正管件系列产品已全部通过美国-3A-63-03认证；橡胶垫圈FDA 177.2600，PTFE垫圈FDA177.1550。

材质：304、316L、1.4301、1.4404、1.4435 NB2 Fe<0.5%

表面处理：机抛光 DIN 11866 HE3c HE4c HE5c, ASME BPE SFF1 SFF2 SFF3

电抛光 DIN 11866 HE3c HE4c HE5c, ASME BPE SFF4 SFF5 SFF6



异形管件系列  
(定制品)



卡箍式管件  
Clamp pipe fittings



管件系列  
DIN SMS ISO  
BS4825 3A



无菌系列-  
由任-法兰-卡箍由任  
Aseptic series-Union-  
Flange-Clamp union

BPE管件  
BPE pipe fitting



由任  
Union



管支架  
Pipe holder



I-Line管件系列  
I-line fittings



斜座式密封3A由任  
Bevel seal ferrules



卫生钢管  
Tube





# 材质和连接标准

## Material and connectivity standards

### 材质有多种选项

- ◆ 1.4435-BN2 (316L) Fe < 0.5% Forged
- ◆ ASME BPE 316L
- ◆ ASTM 304, 1.4301
- ◆ ASTM 316L 1.4404

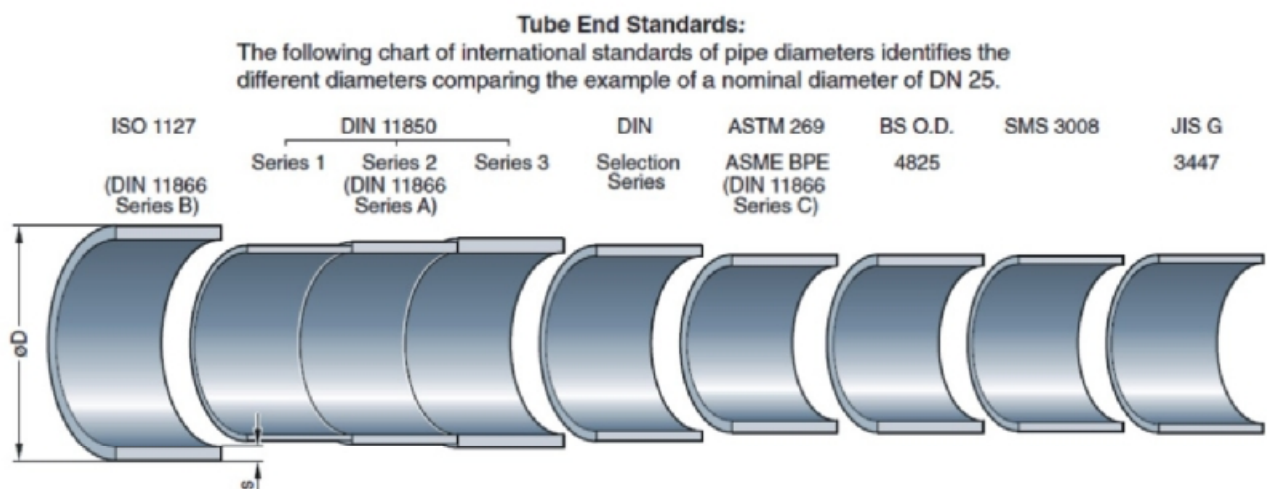
不锈钢化学成分规范  
Chemical composition for automatic weld ends, %

根据ASDME BPE Table DT-3		EN 10088-3 1.4435 NB2 Fe≤0.5%	
Carbon, max	0.035	Carbon, max	< 0.03
chromium	16.00-18.00	chromium	16.00-18.00
manganese, max	2.00	manganese, max	2.00
molybdenum	2.00-3.00	molybdenum	2.5-3.0
nickel	10.00-15.00	nickel	12.5-14.0
phosphorus, max	0.045	phosphorus, max	0.045
silicon, max	1.00	silicon, max	1.00
sulfur	0.005-0.017	sulfur	≤ 0.030
		nitrogen	< 0.11

### 管道接口标准 Pipeline end standard

下表格：以DN25为列的不同国际标准卫生级不锈钢管道直径的区别

Next form: Take DN25 for example to illustrate the stainless steel pipe OD difference in different International standard health grade





# 表面处理

## Surface treatment

### 表面处理 Surface treatment

对高洁净的工艺管路系统来说，表面的粗糙度是极其重要的技术指标  
For high clean process piping system, the roughness of the surface is an extremely important technique index



Surface finish: machined,  
Ra 1.2  $\mu$  m



Surface finish: machined,  
Ra 0.8  $\mu$  m



Surface finish: fine-machined,  
and grinded, Ra 0.4  $\mu$  m



Surface finish: fine-machined,  
and grinded, Ra 0.2  $\mu$  m



### 表面抛光 Surface polishing

Ra=粗糙度  
平均粗糙度Ra值被作为衡量一个内表面光洁度的一个参数。  
LT5.6mm 长度/测量Lc0.8mm进行5次测量粗糙度得出的平均值粗糙度Ra值。  
根据ASME BPE和DIN 11866。

Ra = roughness  
Average roughness Ra data is used as a measure of valve body surface finish of a parameter.  
LT5.6 mm length/measurement Lc0.8 mm for five measuring roughness obtained average roughness Ra data.  
According ASME BPE table to classified

#### Definition of the codes for Ra-Values Allocation to the standard DIN 11866

Ra $\mu$ m	DIN 11866	$\alpha$
	Hygiene class	E-polished
0.8		
0.8	HE3c	●
0.6		
0.6		●
0.4		
0.4	HE4c	●
0.25		
0.25	HE5c	●

#### Table SF-2.4-1 R<sub>a</sub> Readings for Metallic Product Contact Surfaces

Surface Designation	Mechanically Polished [Note (1)]	
	R <sub>a</sub> Max.	
	$\mu$ in.	$\mu$ m
SF0	No finish requirement	No finish requirement
SF1	20	0.51
SF2	25	0.64
SF3	30	0.76
	Mechanically Polished [Note (1)] and electropolished	
	R <sub>a</sub> Max.	
	$\mu$ in.	$\mu$ m
SF4	15	0.38
SF5	20	0.51
SF6	25	0.64

# ASME BPE-2012



## BPE管件 Pipe Fitting

BPE系列管件是生物制药工程高洁净要求的最佳选择的管道配件，高质量的管道和管件，首先可缩短安装的准备时间，其次可避免在实际焊接操作中出现偏弧现象，易于自动焊机焊接，无需多次调整参数，节约焊接时间，最终缩短工期和满足FDA及GMP等要求。

ASME BPE standard is the best choice for hygienic requirement of pharmaceutical engineering, it has been recognized in over 30 countries, high-quality pipes and fitting will shorten the preparatory work of installing, and avoid arc phenomena in the welding operation, easy for automatic welding, no need to adjust several parameters, save welding time and ultimately shorten the construction period and comply with FDA & GMP.

Table DT-6 Final Tolerances for Electropolished Fittings and Process Components  
BPE 管件壁厚公差范围

Nominal Size, in.	Wall Thickness	
	in.	mm
1/4	+0.003/0.006	+0.08/0.15
3/8	+0.003/0.006	+0.08/0.15
1/2	+0.005/0.010	+0.13/0.25
3/4	+0.005/0.010	+0.13/0.25
1	+0.005/0.010	+0.13/0.25
1 1/2	+0.005/0.010	+0.13/0.25
2	+0.005/0.010	+0.13/0.25
2 1/2	+0.005/0.010	+0.13/0.25
3	+0.005/0.010	+0.13/0.25
4	+0.008/0.012	+0.20/0.30
6	+0.015/0.017	+0.38/0.43

## 抛光等级 Polishing grade

Table SF-2.4-1  $R_a$  Readings for Metallic Product Contact Surfaces

Surface designation	Mechanically Polished [Note (1)]	
	$R_a$ Max.	
	$\mu$ in.	$\mu$ m
SF0	No finish requirement	No finish requirement
SF1	20	0.51
SF2	25	0.64
SF3	30	0.76

	Mechanically Polished [Note (1)] and Electropolished	
	$R_a$ Max.	
	$\mu$ in.	$\mu$ m
SF4	15	0.38
SF5	20	0.51
SF6	25	0.64

机械抛光等级  
Mechanical polishing grade

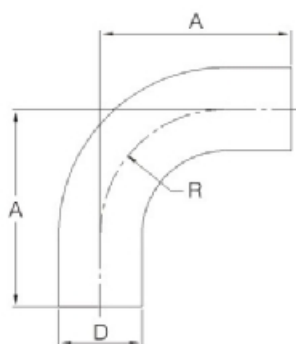
默认Default SF1;  $R_a$  20=0.51  $\mu$ m

电解抛光等级  
Electrolytic polishing grade

默认 SF4;  $R_a$  15=0.38  $\mu$ m

## 长型-90° 对焊弯头-(选型系列) Long 90° weld elbow (selection series)

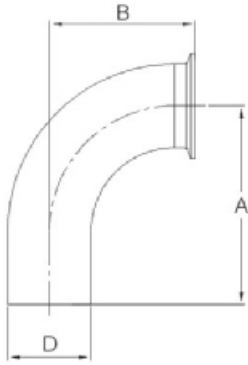
适用于Apply to: ASME BPE DT-4.1.1-1 Automatic Tube Weld: 90-deg Elbow



SIZE	尺寸 Dimension			壁厚 Thickness ASME BPE
	A	R	D	
1/2"	76.2	28.6	12.7	1.65
3/4"	76.2	28.6	19.1	1.65
1"	76.2	38.1	25.4	1.65
1-1/2"	95.3	57.2	38.1	1.65
2"	120.7	76.2	50.8	1.65
2-1/2"	139.7	95.3	63.5	1.65
3"	158.8	114.3	76.2	1.65
4"	203.2	152.4	101.6	2.10
6"	292.1	228.6	152.4	2.80

### 一头卡箍 - 一头对焊-90° 弯头 Clamped/welded 90° elbow

适用于Apply to: ASME BPE DT-4.1.1-2 Automatic Tube Weld: Hygienic Clamp Joint, 90-deg Elbow



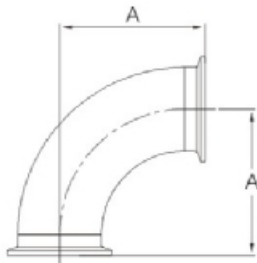
SIZE	尺寸 Dimension			卡盘 Clamp OD
	A	B	D	
1/2"	76.2	41.3	12.7	25.0
3/4"	76.2	41.3	19.1	25.0
1"	76.2	50.8	25.4	50.5
1 1/2"	95.3	69.9	38.1	50.5
2"	120.7	88.9	50.8	64.0
2 1/2"	139.7	108.0	63.5	77.5
3"	158.8	127.0	76.2	91.0
4"	203.2	168.3	101.6	119.0
6"	292.1	266.7	152.4	167.0

注意: 90° 弯头直端长度计算方法:  $A-B$ =直端长度(举例:  $1 \times A(76.2) - B(38.1)=38.1$ )

Notice: 90° elbow straight end length calculation way:  $a-b$ = straight end length

### 90° 卡箍弯头 90° clamp elbow

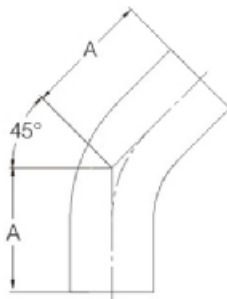
适用于Apply to: ASME BPE DT-4.1.1-3 Hygienic Clamp Joint: 90-deg Elbow



SIZE	尺寸 Dimension	
	A	卡盘 Clamp OD
1/2"	41.3	25.0
3/4"	41.3	25.0
1"	50.8	50.5
1 1/2"	69.9	50.5
2"	88.9	64.0
2 1/2"	108.0	77.5
3"	127.0	91.0
4"	168.3	119.0
6"	266.7	167.0

### 长型-45° 对焊弯头 Long type 45° weld elbow

适用于Apply to: ASME BPE DT-4.1.1-4 Automatic Tube Weld: 45-deg Elbow

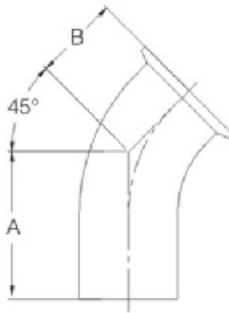


SIZE	尺寸 Dimension			壁厚 Thickness
	A	D	R	ASME BPE
1/2"	57.2	12.7	28.6	1.65
3/4"	57.2	19.1	28.6	1.65
1"	57.2	25.4	38.1	1.65
1 1/2"	63.5	38.1	57.2	1.65
2"	76.2	50.8	76.2	1.65
2 1/2"	85.7	63.5	95.3	1.65
3"	92.1	76.2	114.3	1.65
4"	114.3	101.6	152.4	2.10
6"	158.8	152.4	228.6	2.80

# ASME BPE-2012

## 一头卡箍—一头对焊—45° 弯头 Clamped/welded 45° elbow

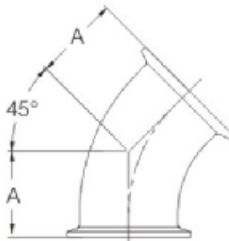
适用于Apply to: ASME BPE DT-4.1.1-5 Automatic Tube Weld: Hygienic Clamp Joint, 45-deg Elbow



SIZE	尺寸 Dimension			
	A	B	卡盘 Clamp OD	D
1/2"	57.2	25.4	25.0	12.7
3/4"	57.2	25.4	25.0	19.1
1"	57.2	28.6	50.5	25.4
1 1/2"	63.5	36.5	50.5	38.1
2"	76.2	44.5	64.0	50.8
2 1/2"	85.7	52.4	77.5	63.5
3"	92.1	60.3	91.0	76.2
4"	114.3	79.4	119.0	101.6
6"	158.8	133.4	167.0	152.4

## 45° 卡箍弯头 45° clamp elbow

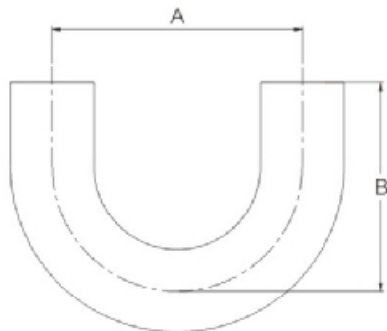
适用于Apply to: ASME BPE DT-4.1.1-6 Hygienic Clamp Joint: 45-deg Elbow



SIZE	尺寸 Dimension	
	A	卡盘 Clamp OD
1/2"	25.4	25.0
3/4"	25.4	25.0
1"	28.6	50.5
1 1/2"	36.5	50.5
2"	44.5	64.0
2 1/2"	52.4	77.5
3"	60.3	91.0
4"	79.4	119.0
6"	133.4	167.0

## 长型—180° 对焊弯头 Long type 180° clamp elbow

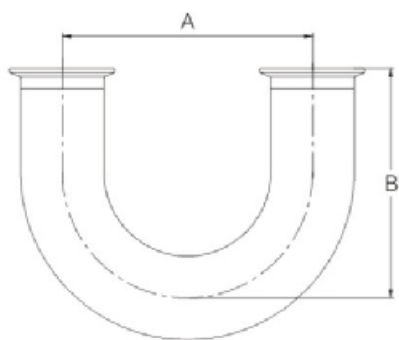
适用于Apply to: ASME BPE DT-4.1.1-7 Automatic Tube Weld: 180-deg Return Bend



SIZE	尺寸 Dimension			壁厚 Thickness
	A	B	D	ASME BPE
1/2"	114.3	76.2	12.7	1.65
3/4"	114.3	76.2	19.1	1.65
1"	76.2	76.2	25.4	1.65
1 1/2"	114.3	114.3	38.1	1.65
2"	152.4	127.0	50.8	1.65
2 1/2"	190.5	146.1	63.5	1.65
3"	228.6	165.1	76.2	1.65
4"	304.8	215.9	101.6	2.10
6"	457.2	292.1	152.4	2.80

### 180° 卡箍弯头 180° clamp elbow

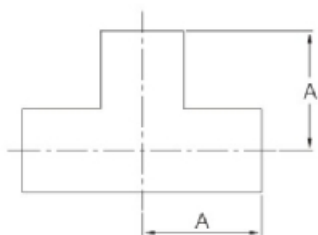
适用于Apply to: ASME BPE DT-4.1.1-8 Hygienic Clamp Joint: 180-deg Return Bend



SIZE	尺寸 Dimension			壁厚 Thickness
	A	B	卡盘	ASME BPE
1/2"	114.3	88.9	25.0	1.65
3/4"	114.3	88.9	25.0	1.65
1"	76.2	88.9	50.5	1.65
1 1/2"	114.3	127.0	50.5	1.65
2"	152.4	139.7	64.0	1.65
2 1/2"	190.5	158.8	77.5	1.65
3"	228.6	177.8	91.0	1.65
4"	304.8	231.8	119.0	2.10
6"	457.2	330.2	167.0	2.80

### 长型(中头等长)-对焊三通 Long type (middle length same with two sides) weld tee

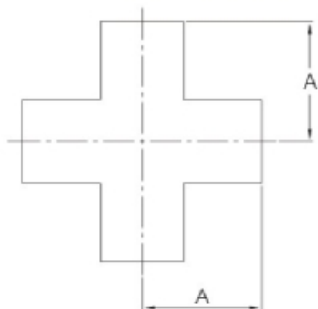
适用于Apply to: ASME BPE DT-4.1.2-1 Automatic Tube Weld: Straight Tee and Cross



SIZE	尺寸 Dimension		壁厚 Thickness
	A	D	BPE
0.5	47.6	12.7	1.65
0.75	50.8	19.1	1.65
1	54.0	25.4	1.65
1.5	60.3	38.1	1.65
2	73.0	50.8	1.65
2.5	79.4	63.5	1.65
3	85.7	76.2	1.65
4	104.8	101.6	2.1
6	142.9	152.4	2.8

### 长型(中头等长)-对焊四通 Long type (middle length same with two sides) weld cross

适用于Apply to: ASME BPE DT-4.1.2-1 Automatic Tube Weld: Straight Tee and Cross

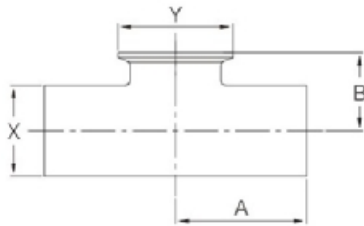


SIZE	尺寸 Dimension		壁厚 Thickness
	A	D	BPE
0.5	47.6	12.7	1.65
0.75	50.8	19.1	1.65
1	54.0	25.4	1.65
1.5	60.3	38.1	1.65
2	73.0	50.8	1.65
2.5	79.4	63.5	1.65
3	85.7	76.2	1.65
4	104.8	101.6	2.1
6	142.9	152.4	2.8

# ASME BPE-2012

## 两头对焊-中间卡箍(中头短)-三通 Tee main welded/clamped short 3rd port

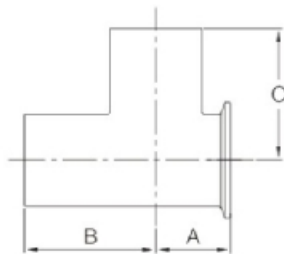
适用于Apply to: ASME BPE DT-4.1.2-2 Automatic Tube Weld: Short Outlet Hygienic Clamp Joint Tee



SIZE	尺寸 Dimension			
	A	B	X	Y
1/2"	47.6	25.4	12.7	25.0
3/4"	50.8	28.6	19.1	25.0
1"	54.0	28.6	25.4	50.5
1 1/2"	60.3	34.9	38.1	50.5
2"	73.0	41.3	50.8	64.0
2 1/2"	79.4	47.6	63.5	77.5
3"	85.7	54.0	76.2	91.0
4"	104.8	69.9	101.6	119.0
6"	142.9	117.5	152.4	167.0

## 中头对焊-单头直通对焊-单头直通短卡箍 Middle welded-welded-short clamp

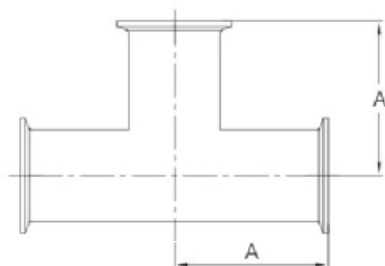
适用于Apply to: ASME BPE DT-4.1.2-3 Hygienic Mechanical Joint: Short Outlet Run Tee



SIZE	尺寸 Dimension			卡盘 Clamp OD
	A	B	C	
1/2"	22.2	47.6	47.6	25.0
3/4"	25.4	50.8	50.8	25.0
1"	28.6	54.0	54.0	50.5
1 1/2"	34.9	60.3	60.3	50.5
2"	41.3	73.0	73.0	64.0
2 1/2"	47.6	79.4	79.4	77.5
3"	54.0	85.7	85.7	91.0
4"	69.9	104.8	104.8	119.0
6"	117.5	142.9	142.9	167.0

## 卡箍三通 Clamp tee

适用于Apply to: ASME BPE DT-4.1.2-4 Hygienic Clamp Joint: Straight Tee and Cross

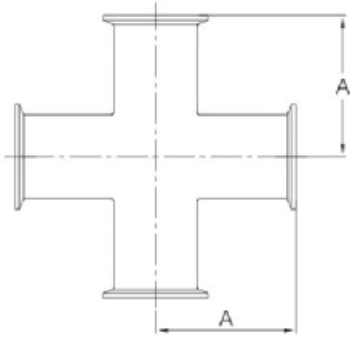


SIZE	尺寸 Dimension	
	A	卡盘 Clamp OD
1/2"	57.2	25.0
3/4"	60.3	25.0
1"	66.7	50.5
1 1/2"	73.0	50.5
2"	85.7	64.0
2 1/2"	92.1	77.5
3"	98.4	91.0
4"	120.7	119.0
6"	181.0	167.0



### 卡箍四通 Clamp cross

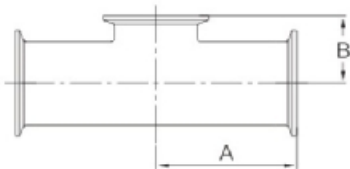
适用于Apply to: ASME BPE DT-4.1.2-4 Hygienic Clamp Joint: Straight Tee and Cross



SIZE	尺寸 Dimension	
	A	卡盘 Clamp OD
1/2"	57.2	25.0
3/4"	60.3	25.0
1"	66.7	50.5
1 1/2"	73.0	50.5
2"	85.7	64.0
2 1/2"	92.1	77.5
3"	98.4	91.0
4"	120.7	119.0
6"	181.0	167.0

### 卡箍三通 Clamp tee(middle end short)

适用于Apply to: ASME BPE DT-4.1.2-5 Hygienic Clamp Joint: Short Outlet Tee



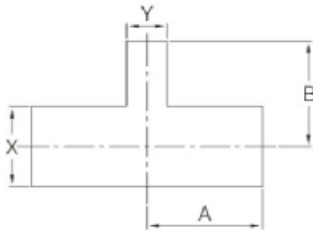
SIZE	尺寸 Dimension		
	A	B	卡盘 Clamp OD
1/2"	57.2	25.4	25.0
3/4"	60.3	28.6	25.0
1"	66.7	28.6	50.5
1 1/2"	73.0	34.9	50.5
2"	85.7	41.3	64.0
2 1/2"	92.1	47.6	77.5
3"	98.4	54.0	91.0
4"	120.7	69.9	119.0
6"	181.0	117.5	167.0



# ASME BPE-2012

## 对焊异径三通(中头长) Weld reducing tee

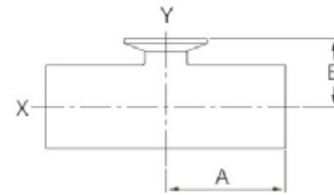
适用于Apply to: ASME BPE DT-4.1.2-6  
Automatic Tube Weld: Reducing Tee



SIZE		尺寸 Dimension	
直通	异径通	A	B
1	0.50	54.0	54.0
1	0.75	54.0	54.0
1.5	0.50	60.3	60.3
1.5	0.75	60.3	60.3
1.5	1.0	60.3	60.3
2	0.50	73.0	66.7
2	0.75	73.0	66.7
2	1.0	73.0	66.7
2	1.5	73.0	66.7
2.5	0.50	79.4	73.0
2.5	0.75	79.4	73.0
2.5	1.0	79.4	73.0
2.5	1.5	79.4	73.0
2.5	2.0	79.4	73.0
3	0.50	85.7	79.4
3	0.75	85.7	79.4
3	1.0	85.7	79.4
3	1.5	85.7	79.4
3	2.0	85.7	79.4
3	2.5	85.7	79.4
4	0.50	104.8	92.1
4	0.75	104.8	92.1
4	1.0	104.8	92.1
4	1.5	104.8	92.1
4	2.0	104.8	98.4
4	2.5	104.8	98.4
4	3.0	104.8	98.4
6	3.0	142.9	123.8
6	4.0	142.9	130.2

## 两头对焊-中间卡箍(中头短)-三通 Tee main welded/clamped short 3rd port

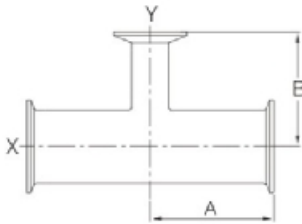
适用于Apply to: ASME BPE(DT-4.1.2-7)  
Automatic tube weld: short outlet hygienic clamp, joint reducing tee



SIZE		尺寸 Dimension	
直通	异径通	A	B
1	0.50	54.0	28.6
1	0.75	54.0	28.6
1.5	0.50	60.3	34.9
1.5	0.75	60.3	34.9
1.5	1.0	60.3	34.9
2	0.50	73.0	41.3
2	0.75	73.0	41.3
2	1.0	73.0	41.3
2	1.5	73.0	41.3
2.5	0.50	79.4	47.6
2.5	0.75	79.4	47.6
2.5	1.0	79.4	47.6
2.5	1.5	79.4	47.6
2.5	2.0	79.4	47.6
3	0.50	85.7	54.0
3	0.75	85.7	54.0
3	1.0	85.7	54.0
3	1.5	85.7	54.0
3	2.0	85.7	54.0
3	2.5	85.7	54.0
4	0.50	104.8	66.7
4	0.75	104.8	66.7
4	1.0	104.8	66.7
4	1.5	104.8	66.7
4	2.0	104.8	66.7
4	2.5	104.8	66.7
4	3.0	104.8	66.7
6	0.50	142.9	92.1
6	0.75	142.9	92.1
6	1.0	142.9	92.1
6	1.5	142.9	92.1
6	2.0	142.9	92.1
6	2.5	142.9	92.1
6	3.0	142.9	92.1
6	4.0	142.9	95.3

**卡箍异径(中头长)三通**  
**Clamp reducing tee(middle end long)**

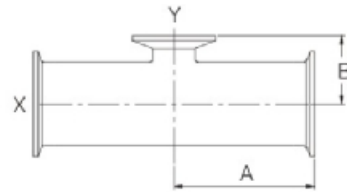
适用于Apply to: ASME BPE(DT-4.1.2-8)  
 Hygienic Clamp Joint: Reducing Tee



SIZE		尺寸 Dimension	
直通	异径通	A	B
1	0.50	66.7	66.7
1	0.75	66.7	66.7
1.5	0.50	73.0	73.0
1.5	0.75	73.0	73.0
1.5	1.0	73.0	73.0
2	0.50	85.7	79.4
2	0.75	85.7	79.4
2	1.0	85.7	79.4
2	1.5	85.7	79.4
2.5	0.50	92.1	85.7
2.5	0.75	92.1	85.7
2.5	1.0	92.1	85.7
2.5	1.5	92.1	85.7
2.5	2.0	92.1	85.7
3	0.50	98.4	92.1
3	0.75	98.4	92.1
3	1.0	98.4	92.1
3	1.5	98.4	92.1
3	2.0	98.4	92.1
3	2.5	98.4	92.1
4	0.50	120.7	104.8
4	0.75	120.7	104.8
4	1.0	120.7	104.8
4	1.5	120.7	104.8
4	2.0	120.7	111.1
4	2.5	120.7	111.1
4	3.0	120.7	111.1
6	3.0	181.0	136.5
6	4.0	181.0	146.1

**卡箍异径(中头短)三通**  
**Clamp reducing tee(middle end short)**

适用于Apply to: ASME BPE(DT-4.1.2-9)  
 Hygienic Clamp Joint: Short Outlet Reducing Tee



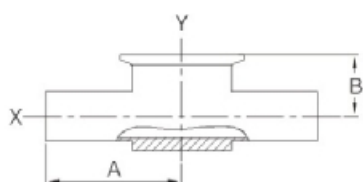
SIZE		尺寸 Dimension	
直通	异径通	A	B
1	0.50	66.7	28.6
1	0.75	66.7	28.6
1.5	0.50	73.0	34.9
1.5	0.75	73.0	34.9
1.5	1.0	73.0	34.9
2	0.50	85.7	41.3
2	0.75	85.7	41.3
2	1.0	85.7	41.3
2	1.5	85.7	41.3
2.5	0.50	92.1	47.6
2.5	0.75	92.1	47.6
2.5	1.0	92.1	47.6
2.5	1.5	92.1	47.6
2.5	2.0	92.1	47.6
3	0.50	98.4	54.0
3	0.75	98.4	54.0
3	1.0	98.4	54.0
3	1.5	98.4	54.0
3	2.0	98.4	54.0
3	2.5	98.4	54.0
4	0.50	120.7	66.7
4	0.75	120.7	66.7
4	1.0	120.7	66.7
4	1.5	120.7	66.7
4	2.0	120.7	66.7
4	2.5	120.7	66.7
4	3.0	120.7	66.7
6	0.50	181.0	92.1
6	0.75	181.0	92.1
6	1.0	181.0	92.1
6	1.5	181.0	92.1
6	2.0	181.0	92.1
6	2.5	181.0	92.1
6	3.0	181.0	92.1
6	4.0	181.0	95.3



# ASME BPE-2012

## 焊接仪器三通 Weld instrument tee

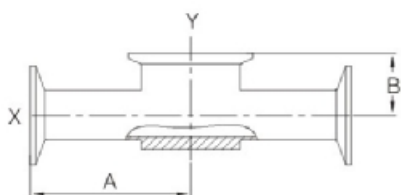
适用于Apply to: ASME BPE (DT-4.1.2-10) Automatic Tube Weld: Instrument Tee



SIZE		尺寸 Dimension		
直通	中通	A	B	卡盘 Clamp OD
0.5	1.5	63.5	22.2	50.5
0.75	1.5	63.5	25.4	50.5
1.0	1.5	63.5	28.6	50.5
0.5	2.0	69.9	25.4	64.0
0.75	2.0	69.9	28.6	64.0
1.0	2.0	69.9	31.8	64.0
1.5	2.0	69.9	38.1	64.0

## 卡箍仪器三通 Clamp instrument tee

适用于Apply to: ASME BPE (DT-4.1.2-11) Hygienic Clamp Joint: Instrument Tee

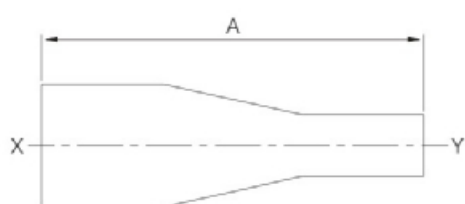


SIZE		尺寸 Dimension		中头
直通	中通	A	B	卡盘 Clamp OD
0.5	1.5	76.2	22.2	50.5
0.75	1.5	76.2	25.4	50.5
1.0	1.5	76.2	28.6	50.5
0.5	2.0	82.6	25.4	64.0
0.75	2.0	82.6	28.6	64.0
1.0	2.0	82.6	31.8	64.0
1.5	2.0	82.6	38.1	64.0



## 对焊-同心大小头-A型 Welded concentric reducer A type

适用于Apply to: ASME BEP DT-4.1.3-1(a) Automatic Tube Weld: Concentric and Eccentric Reducer

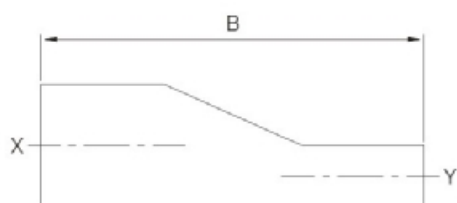


SIZE		尺寸 Dimension			卡盘 Clamp OD
大头	小头	A	X	Y	
0.75	0.5	101.6	19.1	12.7	1.65
1.0	0.5	114.3	25.4	12.7	
	0.75	101.6	25.4	19.1	
1.50	0.75	127.0	38.1	19.1	
	1.0	127.0	38.1	25.4	
2.0	1.0	184.2	50.8	25.4	
	1.50	133.4	50.8	38.1	
2.5	1.50	184.2	63.5	38.1	
	2.00	139.7	63.5	50.8	
3.0	1.50	235.0	76.2	38.1	
	2.00	190.5	76.2	50.8	
	2.50	139.7	76.2	63.5	
4.0	2.00	298.5	101.6	50.8	2.1/1.65
	2.50	247.7	101.6	63.5	
	3.0	196.9	101.6	76.2	
6.0	3.0	254.0	152.4	76.2	2.8-1.65 2.8-2.1
	4.0	254.0	152.4	101.6	

注意: ASME BPE大头系列产品有两种设计, A型=挤压成型方式; B型=机加工成型方式;  
Notice: ASME BPE bigger size series have two designs, A type=extrusion forming; B type= machine-shaping

## 对焊-偏心大小头-A型 Welded eccentric reducer A type

适用于Apply to: ASME BEP DT-4.1.3-1(a) Automatic Tube Weld: Concentric and Eccentric Reducer



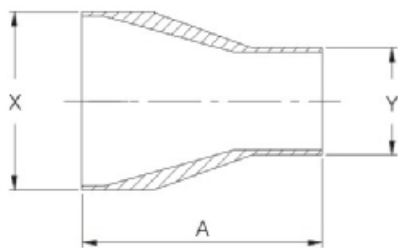
SIZE		尺寸 Dimension			卡盘 Clamp OD
大头	小头	B	X	Y	
0.75	0.5	101.6	19.1	12.7	1.65
1.0	0.5	114.3	25.4	12.7	
	0.75	101.6	25.4	19.1	
1.50	0.75	127.0	38.1	19.1	
	1.0	127.0	38.1	25.4	
2.0	1.0	184.2	50.8	25.4	
	1.50	133.4	50.8	38.1	
2.5	1.50	184.2	63.5	38.1	
	2.00	139.7	63.5	50.8	
3.0	1.50	235.0	76.2	38.1	
	2.00	190.5	76.2	50.8	
	2.50	139.7	76.2	63.5	
4.0	2.00	298.5	101.6	50.8	2.1/1.65
	2.50	247.7	101.6	63.5	
	3.0	196.9	101.6	76.2	
6.0	3.0	247.7	152.4	76.2	2.8-1.65 2.8-2.1
	4.0	254.0	152.4	101.6	

注意: ASME BPE大头系列产品有两种设计, A型=挤压成型方式; B型=机加工成型方式;  
Notice: ASME BPE bigger size series have two designs, A type=extrusion forming; B type= machine-shaping

# ASME BPE-2012

## 对焊-同心大小头-B型 Welded concentric reducer B type

适用于Apply to: ASME BEP DT-4.1.3-1(b) Automatic Tube Weld: Concentric and Eccentric Reducer

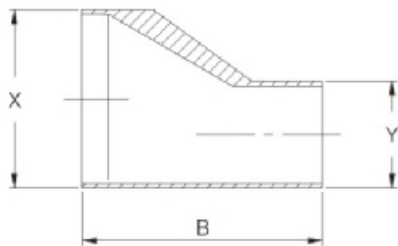


SIZE		尺寸 Dimension			壁厚 Thickness
大头	小头	A	X	Y	
0.75	0.5	54.0	19.1	12.7	1.65
1.0	0.5	64.0	25.4	12.7	
	0.75	54.0	25.4	19.1	
1.50	0.75	76.2	38.1	19.1	
	1.0	63.5	38.1	25.4	
2.0	1.0	85.7	50.8	25.4	
	1.50	63.5	50.8	38.1	
2.5	1.50	85.7	63.5	38.1	
	2.00	63.5	63.5	50.8	
3.0	1.50	108.0	76.2	38.1	
	2.00	85.7	76.2	50.8	
	2.50	66.7	76.2	63.5	
4.0	2.00	130.2	101.6	50.8	2.1/1.65
	2.50	108.0	101.6	63.5	
	3.0	98.5	101.6	76.2	
6.0	3.0	184.2	152.4	76.2	2.8-1.65 2.8-2.1
	4.0	143.0	152.4	101.6	

注意: ASME BPE大头系列产品有两种设计, A型=挤压成型方式; B型=机加工成型方式;  
Notice: ASME BPE bigger size series have two designs, A type=extrusion forming; B type= machine-shaping

## 对焊-偏心大小头-B型 Welded eccentric reducer B type

适用于Apply to: ASME BEP DT-4.1.3-1(b) Automatic Tube Weld: Concentric and Eccentric Reducer



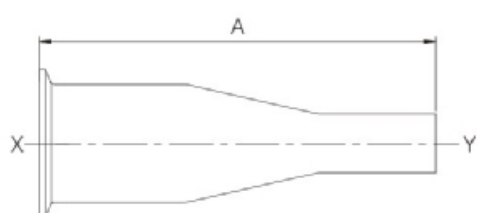
SIZE		尺寸 Dimension			壁厚 Thickness	
大头	小头	B	X	Y		
0.75	0.5	54.0	19.1	12.7	1.65	
1.0	0.5	64.0	25.4	12.7		
	0.75	54.0	25.4	19.1		
1.50	0.75	76.2	38.1	19.1		
	1.0	63.5	38.1	25.4		
2.0	1.0	85.7	50.8	25.4		
	1.50	63.5	50.8	38.1		
2.5	1.50	85.7	63.5	38.1		
	2.00	63.5	63.5	50.8		
3.0	1.50	108.0	76.2	38.1		2.1/1.65
	2.00	85.7	76.2	50.8		
	2.50	66.7	76.2	63.5		
4.0	2.00	103.2	101.6	50.8	2.8-1.65 2.8-2.1	
	2.50	108.0	101.6	63.5		
	3.0	98.5	101.6	76.2		
6.0	3.0	184.2	152.4	76.2	2.8-1.65 2.8-2.1	
	4.0	143.0	152.4	101.6		

注意: ASME BPE大头系列产品有两种设计, A型=挤压成型方式; B型=机加工成型方式;  
Notice: ASME BPE bigger size series have two designs, A type=extrusion forming; B type= machine-shaping



### 大头卡箍-小头对焊-同心大小头-A型 Clamped/welded concentric reducer A type

适用于Apply to: ASME BEPDT-4.1.3-2(a) Hygienic Clamp Joint: Tube Weld Concentric and Eccentric Reducer

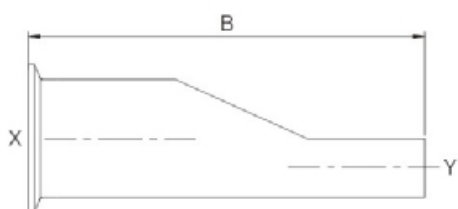


SIZE		尺寸 Dimension			壁厚 Thickness
大头	小头	A	X	Y	
0.75	0.5	76.2	19.1	12.7	1.65
1.0	0.5	88.9	25.4	12.7	
	0.75	76.2	25.4	19.1	
1.50	0.75	101.6	38.1	19.1	
	1.0	101.6	38.1	25.4	
2.0	1.0	152.4	50.8	25.4	
	1.50	101.6	50.8	38.1	
2.5	1.50	152.4	63.5	38.1	
	2.00	107.9	63.5	50.8	
3.0	1.50	203.2	76.2	38.1	
	2.00	158.8	76.2	50.8	
	2.50	108.0	76.2	63.5	
4.0	2.00	263.5	101.6	50.8	2.1/1.65
	2.50	212.7	101.6	63.5	
	3.0	161.9	101.6	76.2	
6.0	3.0	228.6	152.4	76.2	2.8-1.65 2.8-2.1
	4.0	228.6	152.4	101.6	

注意: ASME BPE大头系列产品有两种设计, A型=挤压成型方式; B型=机加工成型方式;  
Notice: ASME BPE bigger size series have two designs, A type=extrusion forming; B type= machine-shaping

### 大头卡箍-小头对焊-偏心大小头-A型 Clamped/welded eccentric reducer A type

适用于Apply to: ASME BEPDT-4.1.3-2(a) Hygienic Clamp Joint: Tube Weld Concentric and Eccentric Reducer



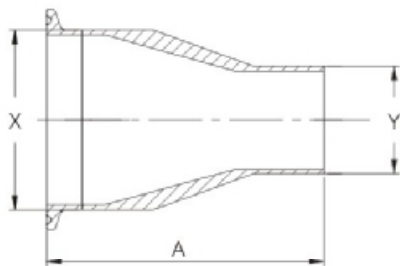
SIZE		尺寸 Dimension			壁厚 Thickness
大头	小头	B	X	Y	
0.75	0.5	76.2	19.1	12.7	1.65
1.0	0.5	88.9	25.4	12.7	
	0.75	76.2	25.4	19.1	
1.50	0.75	101.6	38.1	19.1	
	1.0	101.6	38.1	25.4	
2.0	1.0	152.4	50.8	25.4	
	1.50	101.6	50.8	38.1	
2.5	1.50	152.4	63.5	38.1	
	2.00	107.9	63.5	50.8	
3.0	1.50	203.2	76.2	38.1	
	2.00	158.8	76.2	50.8	
	2.50	108.0	76.2	63.5	
4.0	2.00	263.5	101.6	50.8	2.1/1.65
	2.50	212.7	101.6	63.5	
	3.0	161.9	101.6	76.2	
6.0	3.0	222.3	152.4	76.2	2.8-1.65 2.8-2.1
	4.0	228.6	152.4	101.6	

注意: ASME BPE大头系列产品有两种设计, A型=挤压成型方式; B型=机加工成型方式;  
Notice: ASME BPE bigger size series have two designs, A type=extrusion forming; B type= machine-shaping



## 大头卡箍-小头对焊-同心大小头-B型 Clamped/welded concentric reducer B type

适用于Apply to: ASME BEP DT-4.1.3-2(b) Hygienic Clamp Joint: Tube Weld Concentric and Eccentric Reducer

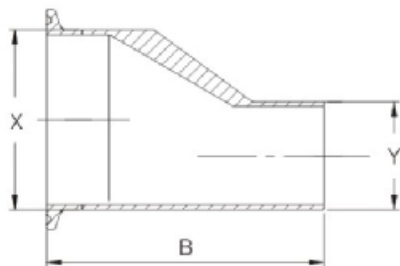


SIZE		尺寸 Dimension			壁厚 Thickness
大头	小头	A	X	Y	
0.75	0.5	66.7	19.1	12.7	1.65
1.0	0.5	76.2	25.4	12.7	
	0.75	66.7	25.4	19.1	
1.50	0.75	88.9	38.1	19.1	
	1.0	76.2	38.1	25.4	
2.0	1.0	98.4	50.8	25.4	
	1.50	76.2	50.8	38.1	
2.5	1.50	98.4	63.5	38.1	
	2.00	76.2	63.5	50.8	
3.0	1.50	120.7	76.2	38.1	
	2.00	98.4	76.2	50.8	
	2.50	79.4	76.2	63.5	
4.0	2.00	146.1	101.6	50.8	2.1/1.65
	2.50	123.8	101.6	63.5	
	3.0	114.3	101.6	76.2	
6.0	3.0	203.2	152.4	76.2	2.8-1.65 2.8-2.1
	4.0	161.9	152.4	101.6	

注意: ASME BPE大头系列产品有两种设计, A型=挤压成型方式; B型=机加工成型方式;  
Notice: ASME BPE bigger side series have two designs, A type=extrusion forming; B type= machine-shaping

## 大头卡箍-小头对焊-偏心大小头-B型 Clamped/welded eccentric reducer B type

适用于Apply to: ASME BEP DT-4.1.3-2(b) Hygienic Clamp Joint: Tube Weld Concentric and Eccentric Reducer

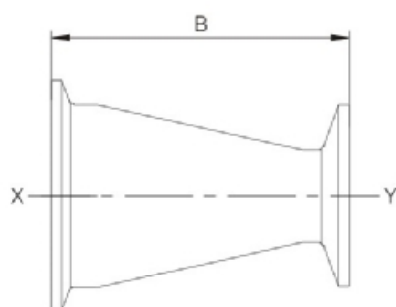


SIZE		尺寸 Dimension			壁厚 Thickness
大头	小头	A	X	Y	
0.75	0.5	66.7	19.1	12.7	1.65
1.0	0.5	76.2	25.4	12.7	
	0.75	66.7	25.4	19.1	
1.50	0.75	88.9	38.1	19.1	
	1.0	76.2	38.1	25.4	
2.0	1.0	98.4	50.8	25.4	
	1.50	76.2	50.8	38.1	
2.5	1.50	98.4	63.5	38.1	
	2.00	76.2	63.5	50.8	
3.0	1.50	120.7	76.2	38.1	
	2.00	98.4	76.2	50.8	
	2.50	79.4	76.2	63.5	
4.0	2.00	146.1	101.6	50.8	2.8-1.65 2.8-2.1
	2.50	123.8	101.6	63.5	
	3.0	114.3	101.6	76.2	
6.0	3.0	203.2	152.4	76.2	
	4.0	161.9	152.4	101.6	

注意: ASME BPE大头系列产品有两种设计, A型=挤压成型方式; B型=机加工成型方式;  
Notice: ASME BPE bigger side series have two designs, A type=extrusion forming; B type= machine-shaping

### 卡箍-同心大小头-A型 Clamped concentric reducer A type

适用于Apply to: ASME BEP (DT-4-1.3-3(A) Hygienic Clamp Joint: Concentric and Eccentric Reducer

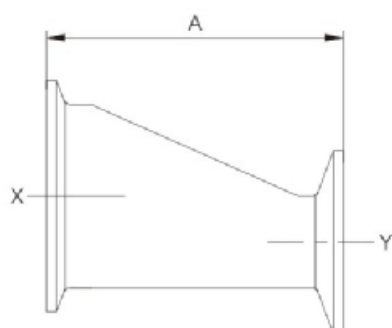


SIZE		尺寸 Dimension			壁厚 Thickness
大头	小头	B	X	Y	
0.75	0.5	50.8	25.0	25.0	1.65
1.0	0.5	63.5	50.5	25.0	
	0.75	50.8	50.5	25.0	
1.50	0.75	76.2	50.5	25.0	
	1.0	76.2	50.5	50.5	
2.0	1.0	127.0	64.0	50.5	
	1.50	76.2	64.0	50.5	
2.5	1.50	127.0	77.5	50.5	
	2.00	76.2	77.5	64.0	
3.0	1.50	177.8	91.0	50.5	
	2.00	127.0	91.0	64.0	
	2.50	76.2	91.0	77.5	
4.0	2.00	231.8	119.0	64.0	2.1/1.65
	2.50	181.0	119.0	77.5	
	3.0	130.2	119.0	91.0	
6.0	3.0	190.5	167.0	91.0	2.8-1.65
	4.0	193.7	167.0	119.0	2.8-2.1

注意: ASME BEP大头系列产品有两种设计, A型=挤压成型方式; B型=机加工成型方式;  
Notice: ASME BEP bigger side series have two designs, A type=extrusion forming; B type= machine-shaping

### 卡箍-偏心大小头-A型 Clamped eccentric reducer A type

适用于Apply to: ASME BEP (DT-4-1.3-3(A) Hygienic Clamp Joint: Concentric and Eccentric Reducer



SIZE		尺寸 Dimension			壁厚 Thickness
大头	小头	B	X	Y	
0.75	0.5	50.8	25.0	25.0	1.65
1.0	0.5	63.5	50.5	25.0	
	0.75	50.8	50.5	25.0	
1.50	0.75	76.2	50.5	25.0	
	1.0	76.2	50.5	50.5	
2.0	1.0	127.0	64.0	50.5	
	1.50	76.2	64.0	50.5	
2.5	1.50	127.0	77.5	50.5	
	2.00	76.2	77.5	64.0	
3.0	1.50	177.8	91.0	50.5	
	2.00	127.0	91.0	64.0	
	2.50	76.2	91.0	77.5	
4.0	2.00	231.8	119.0	64.0	2.1/1.65
	2.50	181.0	119.0	77.5	
	3.0	130.2	119.0	91.0	
6.0	3.0	193.7	167.0	91.0	2.8-1.65
	4.0	193.7	167.0	119.0	2.8-2.1

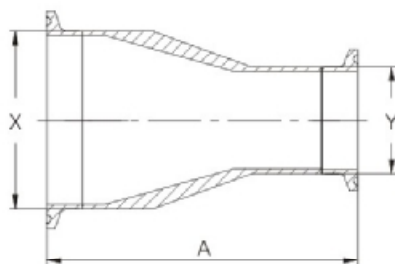
注意: ASME BEP大头系列产品有两种设计, A型=挤压成型方式; B型=机加工成型方式;  
Notice: ASME BEP bigger side series have two designs, A type=extrusion forming; B type= machine-shaping





**卡箍-同心大小头-B型 Clamped concentric reducer B type**

适用于Apply to: ASME BEP DT-4.1.3-3(b) Hygienic Clamp Joint: Concentric and Eccentric Reducer

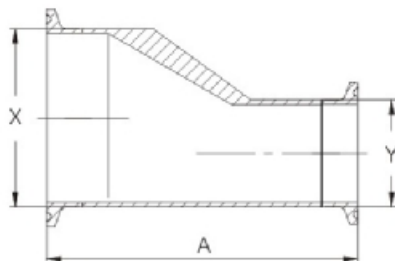


SIZE		尺寸 Dimension			壁厚 Thickness
大头	小头	A	X	Y	
0.75	0.5	79.4	25.0	25.0	1.65
1.0	0.5	88.9	50.5	25.0	
	0.75	79.4	50.5	25.0	
1.50	0.75	101.6	50.5	25.0	
	1.0	88.9	50.5	50.5	
2.0	1.0	111.1	64.0	50.5	
	1.50	88.9	64.0	50.5	
2.5	1.50	111.1	77.5	50.5	
	2.00	88.9	77.5	64.0	
3.0	1.50	133.4	91.0	50.5	
	2.00	111.1	91.0	64.0	
	2.50	92.1	91.0	77.5	
4.0	2.00	158.8	119.0	64.0	2.1/1.65
	2.50	136.6	119.0	77.5	
	3.0	127.0	119.0	91.0	
6.0	3.0	215.9	167.0	91.0	2.8-1.65
	4.0	177.8	167.0	119.0	2.8-2.1

注意: ASME BPE大头系列产品有两种设计, A型=挤压成型方式; B型=机加工成型方式;  
Notice: ASME BPE bigger side series have two designs, A type=extrusion forming; B type= machine-shaping

**卡箍-偏心大小头-B型 Clamped eccentric reducer B type**

适用于Apply to: ASME BEP DT-4.1.3-3(b) Hygienic Clamp Joint: Concentric and Eccentric Reducer



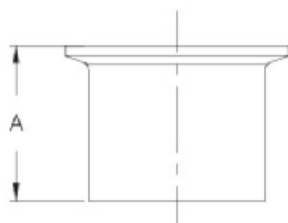
SIZE		尺寸			壁厚 Thickness
大头	小头	A	X	Y	
0.75	0.5	79.4	25.0	25.0	1.65
1.0	0.5	88.9	50.5	25.0	
	0.75	79.4	50.5	25.0	
1.50	0.75	101.6	50.5	25.0	
	1.0	88.9	50.5	50.5	
2.0	1.0	111.1	64.0	50.5	
	1.50	88.9	64.0	50.5	
2.5	1.50	111.1	77.5	50.5	
	2.00	88.9	77.5	64.0	
3.0	1.50	133.4	91.0	50.5	
	2.00	111.1	91.0	64.0	
	2.50	92.1	91.0	77.5	
4.0	2.00	158.8	119.0	64.0	2.1/1.65
	2.50	136.6	119.0	77.5	
	3.0	127.0	119.0	91.0	
6.0	3.0	215.9	167.0	91.0	2.8-1.65
	4.0	177.8	167.0	119.0	2.8-2.1

注意: ASME BPE大头系列产品有两种设计, A型=挤压成型方式; B型=机加工成型方式;  
Notice: ASME BPE bigger side series have two designs, A type=extrusion forming; B type= machine-shaping



### 卡箍接头(长型) Clamp ferrule(long type)

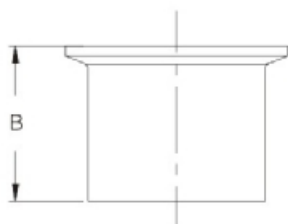
适用于Apply to: ASME BPE DT-4.1.4-1 Automatic Tube Weld: Ferrule



SIZE	卡盘 Clamp OD		
	A	D	卡盘 Clamp OD
1/4"	44.5	6.35	25.0
3/8"	44.5	9.53	25.0
1/2"	44.5	12.7	25.0
3/4"	44.5	19.1	25.0
1"	44.5	25.4	34.0
1"	44.5	25.4	50.5
1 1/2"	44.5	38.1	50.5
2"	57.2	50.8	64.0
2 1/2"	57.2	63.5	77.5
3"	57.2	76.2	91.0
4"	57.2	101.6	119.0
6"	76.2	152.4	167.0

### 卡箍接头(中长型) Clamp ferrule(medium length type type)

适用于Apply to: ASME BPE DT-4.1.4-1 Automatic Tube Weld: Ferrule

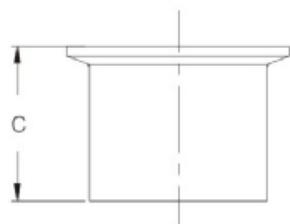


SIZE	尺寸 Dimension		
	B	D	卡盘 Clamp OD
1/4"	28.7	6.35	25.0
3/8"	28.7	9.53	25.0
1/2"	28.7	12.7	25.0
3/4"	28.7	19.1	25.0
1"	28.7	25.4	34.0
1"	28.7	25.4	50.5
1 1/2"	28.7	38.1	50.5
2"	28.7	50.8	64.0
2 1/2"	28.7	63.5	77.5
3"	28.7	76.2	91.0
4"	28.7	101.6	119.0
6"	38.1	152.4	167.0

# ASME BPE-2012

## 卡箍接头(短型) Clamp ferrule(short type)

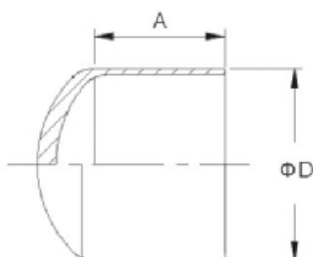
适用于Apply to: ASME BPE DT-4.1.4-1 Automatic Tube Weld: Ferrule



SIZE	尺寸 Dimension		
	C	D	卡盘 Clamp OD
1/4"	12.7	6.35	25.0
3/8"	12.7	9.53	25.0
1/2"	12.7	12.7	25.0
3/4"	12.7	19.1	25.0
1"	12.7	25.4	34.0
1"	12.7	25.4	50.5
1 1/2"	12.7	38.1	50.5
2"	12.7	50.8	64.0
2 1/2"	12.7	63.5	77.5
3"	12.7	76.2	91.0
4"	15.9	101.6	119.0
6"	19.1	152.4	167.0

## 卡箍封头 Clamp cap

适用于Apply to: ASME BPE DT-4.1.5-1 Automatic Tube Weld: Cap



SIZE	尺寸 Dimension		卡盘 Clamp OD
	A	D	ASME BPE
1/2"	38.1	12.7	1.65
3/4"	38.1	19.1	1.65
1"	38.1	25.4	1.65
1 1/2"	38.1	38.1	1.65
2"	38.1	50.8	1.65
2 1/2"	38.1	63.5	1.65
3"	44.5	76.2	1.65
4"	50.8	101.6	2.10
6"	63.5	152.4	2.80

## 卡箍堵头 Clamp end cap

适用于Apply to: ASME BPE DT-4.1.5-2 Hygienic Clamp Joint: Solid End Cap



SIZE	尺寸 Dimension	
	A	卡盘 Clamp OD
1/2"	4.7	25.0
3/4"	4.7	25.0
1"	6.4	50.5
1 1/2"	6.4	50.5
2"	6.4	64.0
2 1/2"	6.4	77.5
3"	6.4	91.0
4"	7.9	119.0
6"	11.1	167.0



# 无菌系列 Sterile series

## 高洁净无菌系列连接组件 High purity aseptic series connecting component

无菌法兰、卡箍由任、螺纹由任，满足于ASME BPE无菌要求和3A-63-03-认证。  
该系列管件无菌、无死角、无滞留设计，接口尺寸连接 DIN 11866，  
ASME BPE，ISO2037，等管道标准。

Aseptic flange, clamp union, thread union, meet the aseptic requirement of the  
ASME BPE and 3A-63-03 authentication. The pipe fitting is aseptic, dead angle, no retention  
of these series, interface size connect DIN11866, ASME BPE, ISO2037, etc.  
standard of pipe fitting.



## 无菌系列 Sterile series



### 技术优势 Technological advantage

无菌连接器和罐体连接器系列产品，为解决极其复杂的罐设备仪器安装和工艺管路连接而设计，该连接器具有无菌、无死角、可重复拆装等优势。

Aseptic connector and tank connector series product, designed for solving extremely complex tank equipment & instrument installation, and process connection. Advantage of these connectors is aseptic, no dead angle, repeated disassembly & assembly and so on.

SIZE: DN10-1/2".....DN150-6"

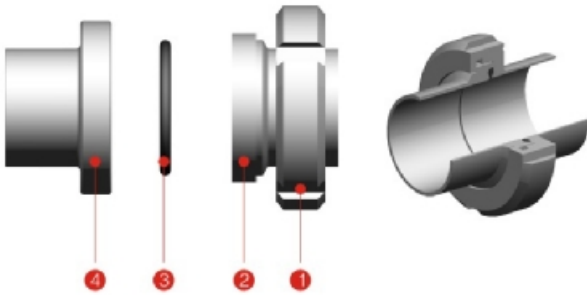
Material: ASME BPE 316L 1.4435 NB2 Fe≤0.5% 1.4301(304) 1.4404(316L)

Gasket: EPDM VITON SILICON HNBR

Standard: DIN 11864/DIN11853; OD DIN11866 /11850/ASME BPE ISO2037 BS4825

Certification: 3-A-63-03; FDA177.2600 ; FDA177.15500

## 无菌由任 Aseptic union



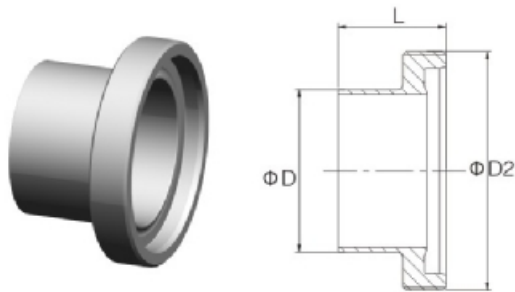
编号 Number	名称 Name	推荐材质 Recommend material	可选材质 Optional material		
1#	螺母 Nut	304	316L	1.4435	ASME BPE 316L
2#	平接头 Liner	316L	304	1.4435	ASME BPE 316L
3#	垫圈 Gasket	EPDM	Silicon	Vitong	HNBR
4#	螺纹接头 Male	316L	304	1.4435	ASME BPE 316L

注意：螺母适用于DIN 11851，只要是螺纹尺寸对应即可使用；  
Notice: nut is suitable for DIN11851, it can use as long as thread size match

## 无菌由任-螺纹接头(短型) Aseptic union short male

适用于Apply to: DIN 11853-1; (OD=ASME BPE; 3A; ISO; BS)-C系列 C series

代码Code : F040621-000000

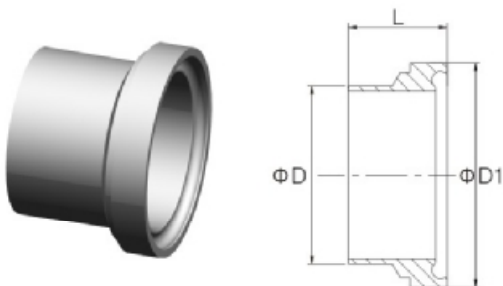


SIZE	D2	L	D
1/2"	Rd28 × 1/8	19	12.7
3/4"	Rd34 × 1/8	19	19.1
1"	Rd52 × 1/6	26	25.4
1.5"	Rd65 × 1/6	31	38.1
2"	Rd78 × 1/6	31	50.8
2.5"	Rd95 × 1/6	36	63.5
3"	Rd110 × 1/4	42	76.2
4"	Rd130 × 1/4	50	101.6

## 无菌由任-平接头(短型) Aseptic union short liner

适用于Apply to: DIN 11853-1; (OD=ASME BPE; 3A; ISO; BS)C系列 C series

代码Code : F040622-000000



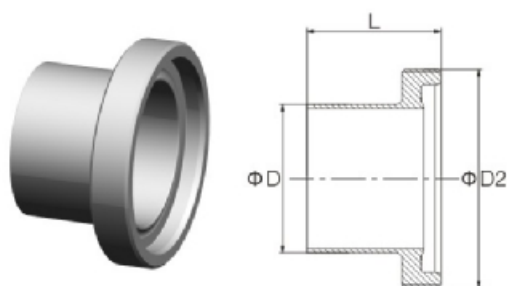
SIZE	L	D
1/2"	17	12.7
3/4"	17	19.1
1"	22	25.4
1.5"	26	38.1
2"	30	50.8
2.5"	34	63.5
3"	38	76.2
4"	46	101.6

# 无菌系列 Sterile series

## 无菌由任-螺纹接头(长型) Aspetic union long male

适用于Apply to: DIN11864-1; (OD=ASME BPE; 3A; ISO; BS)-C系列 C series

代码Code : F040651-000000

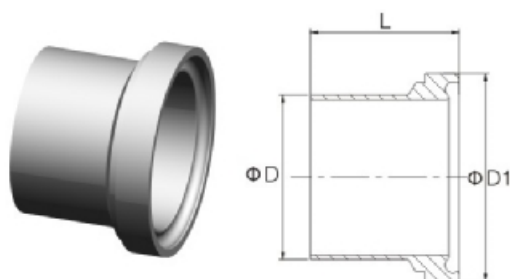


SIZE	D2	L	D
1/2"	Rd28 × 1/8	41	12.7
3/4"	Rd34 × 1/8	41	19.1
1"	Rd52 × 1/6	43	25.4
1.5"	Rd65 × 1/6	48.5	38.1
2"	Rd78 × 1/6	48.5	50.8
2.5"	Rd95 × 1/6	60	63.5
3"	Rd110 × 1/4	64	76.2
4"	Rd130 × 1/4	64	101.6

## 无菌由任-平接头(长型) Aspetic union long liner

适用于Apply to: DIN11864-1; (OD=ASME BPE; 3A; ISO; BS)-C系列 C series

代码Code : F040652-000000

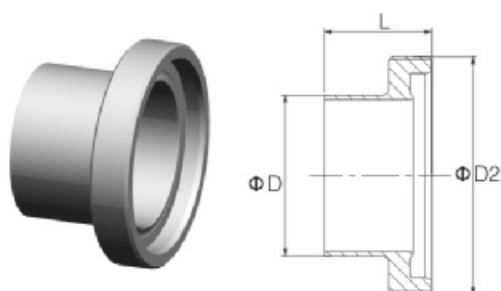


SIZE	L	D
1/2"	39	12.7
3/4"	39	19.1
1"	40	25.4
1.5"	46.5	38.1
2"	47.5	50.8
2.5"	63	63.5
3"	61	76.2
4"	66	101.6

## 无菌由任-螺纹接头(短型) Aspetic union short male

适用于Apply to: DIN 11853-1; (OD=DIN 11866 DIN 11850)A系列 A series

代码Code : F020621-000000

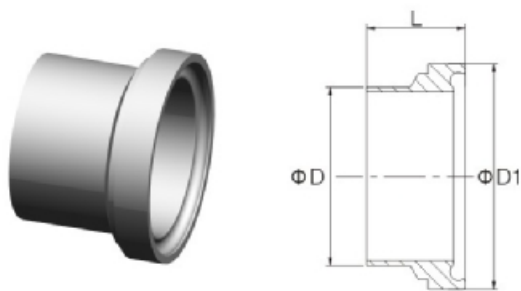


SIZE	D2	L	D
DN10	Rd28 × 1/8	19	13.0
DN15	Rd34 × 1/8	19	19.0
DN20	Rd44 × 1/6	21	23.0
DN25	Rd52 × 1/6	26	29.0
DN32	Rd58 × 1/6	30	35.0
DN40	Rd65 × 1/6	31	41.0
DN50	Rd78 × 1/6	31	53.0
DN65	Rd95 × 1/6	36	70.0
DN80	Rd110 × 1/4	42	85.0
DN100	Rd130 × 1/4	50	104.0

### 无菌由任-平接头(短型) Aspetic union short liner

适用于Apply to: DIN 11853-1; (OD=DIN 11866 DIN 11850)-A系列

代码Code : F020622-000000

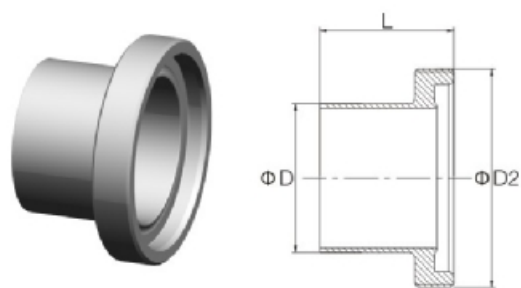


SIZE	L	D
DN10	17	13.0
DN15	17	19.0
DN20	18	23.0
DN25	22	29.0
DN32	25	35.0
DN40	26	41.0
DN50	30	53.0
DN65	34	70.0
DN80	38	85.0
DN100	46	104.0

### 无菌由任-螺纹接头(长型) Aspetic union long male

适用于Apply to: DIN11864-1; (OD=DIN 11866 DIN 11850)-A系列 A series

代码Code : F020651-000000

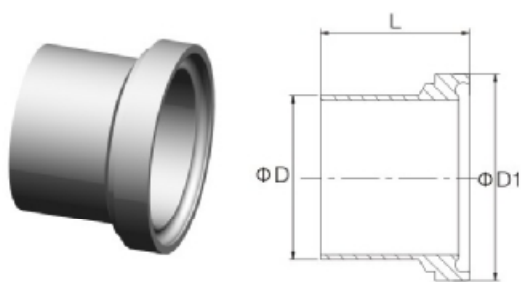


SIZE	D2	L	D
DN10	Rd28 x 1/8	41	13.0
DN15	Rd34 x 1/8	41	19.0
DN20	Rd44 x 1/6	43	23.0
DN25	Rd52 x 1/6	43	29.0
DN32	Rd58 x 1/6	48	35.0
DN40	Rd65 x 1/6	48	41.0
DN50	Rd78 x 1/6	48	53.0
DN65	Rd95 x 1/6	60	70.0
DN80	Rd110 x 1/4	64	85.0
DN100	Rd130 x 1/4	64	104.0

### 无菌由任-平接头(长型) Aspetic union long liner

适用于Apply to: DIN11864-1; (OD=DIN 11866 DIN 11850)-A系列 A series

代码Code : F020652-000000

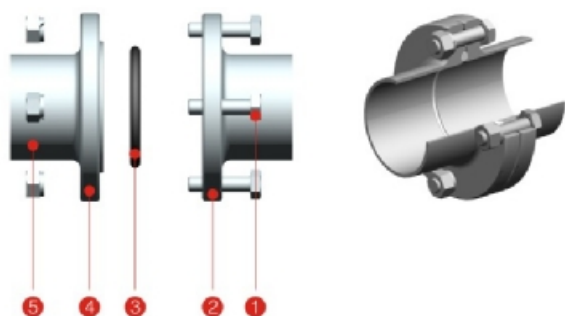


SIZE	L	D
DN10	39	13.0
DN15	39	19.0
DN20	38	23.0
DN25	40	29.0
DN32	47	35.0
DN40	47	41.0
DN50	48	53.0
DN65	61	70.0
DN80	61	85.0
DN100	66	104.0



# 无菌系列 Sterile series

## 无菌法兰 Aseptic flange

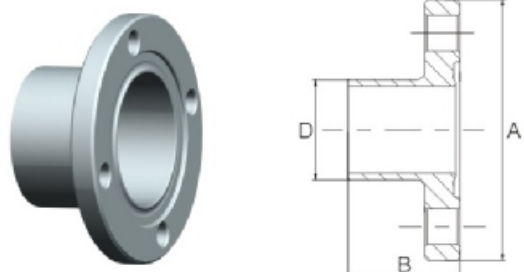


编号 Number	名称 Name	推荐材质 Recommend material	可选材质 Optional material		
1#	螺栓 Bolt	304	NO		
2#	凹法兰 Concave flange	316L	304	1.4435	ASME BPE 316L
3#	垫圈 Gasket	EPDM	Silicon	Vitong	HNBR
4#	凸法兰 Convex flange	316L	304	1.4435	ASME BPE 316L
5#	螺母 Nut	304	NO		

## 无菌法兰-凹面(短型) Short type concave aseptic flange

适用于Apply to: DIN 11853-2; (OD=ASME BPE; 3A; ISO; BS)-C系列 C series

代码Code : F040601-000000

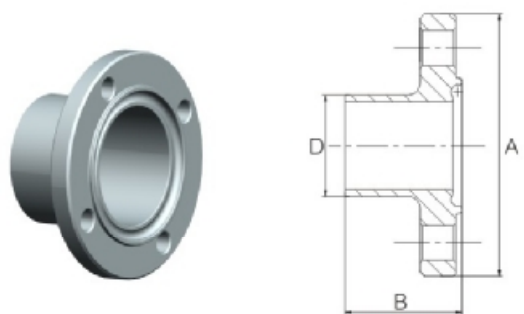


SIZE	A	B	D
1/2"	54	24.0	12.7
3/4"	59	24.0	19.1
1"	66	24.0	25.4
1.5"	79	24.0	38.1
2"	92	24.0	50.8
2.5"	107	24.0	63.5
3"	125	24.0	76.2
4"	157	26.0	101.6

## 无菌法兰-凸面(短型) Short type convex aseptic flange

适用于Apply to: DIN 11853-2; (OD=ASME BPE; 3A; ISO; BS)-C系列 C series

代码Code : F040602-000000

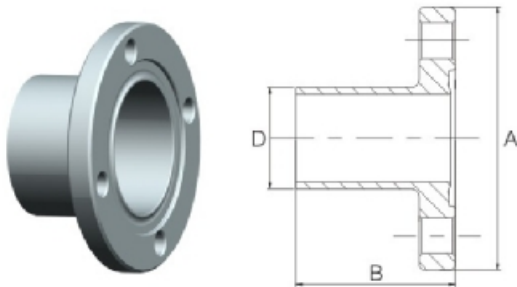


SIZE	A	B	D
1/2"	54	25.5	12.7
3/4"	59	25.5	19.1
1"	66	25.5	25.4
1.5"	79	25.5	38.1
2"	92	25.5	50.8
2.5"	107	25.5	63.5
3"	125	25.5	76.2
4"	157	27.5	101.6

### 无菌法兰-凹面(长型) Long type concave aseptic flange

适用于Apply to: DIN11864-2; (OD=ASME BPE; 3A; ISO; BS)-C系列 C series

代码Code : F040631-000000

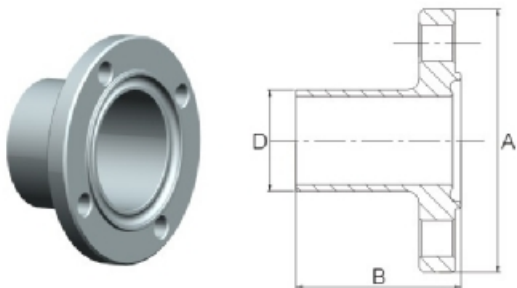


SIZE	A	B	D
1/2"	54	40.0	12.7
3/4"	59	40.0	19.1
1"	66	40.0	25.4
1.5"	79	45.0	38.1
2"	92	45.0	50.8
2.5"	107	54.0	63.5
3"	125	56.0	76.2
4"	157	58.0	101.6

### 无菌法兰-凸面(长型) Long type convex aseptic flange

适用于Apply to: DIN11864-2; (OD=ASME BPE; 3A; ISO; BS)-C系列 C series

代码Code : F040632-000000

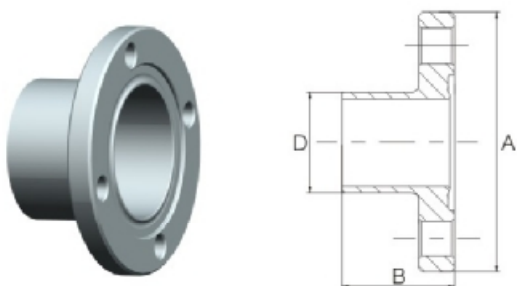


SIZE	A	B	D
1/2"	54	41.5	12.7
3/4"	59	41.5	19.1
1"	66	41.5	25.4
1.5"	79	46.5	38.1
2"	92	46.5	50.8
2.5"	107	55.5	63.5
3"	125	57.5	76.2
4"	157	59.5	101.6

### 无菌法兰-凹面(短型) Short type concave aseptic flange

适用于Apply to: DIN 11853-2; (OD=DIN 11866 DIN 11850)-A系列 C series

代码Code : F020601-000000



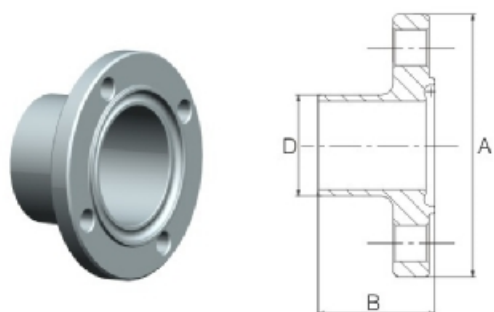
SIZE	A	B	D
DN10	54.0	24.0	13.0
DN15	59.0	24.0	19.0
DN20	64.0	24.0	23.0
DN25	70.0	24.0	29.0
DN32	76.0	24.0	35.0
DN40	82.0	24.0	41.0
DN50	94.0	24.0	53.0
DN65	113.0	24.0	70.0
DN80	133.0	26.0	85.0
DN100	159.0	26.0	104.0
DN125	183.0	28.0	129.0
DN150	213.0	28.0	154.0

# 无菌系列 Sterile series

## 无菌法兰-凸面(短型) Short type convex asptic flange

适用于Apply to: DIN 11853-2; (OD=DIN 11866 DIN 11850)-A系列 A series

代码Code : F020602-000000

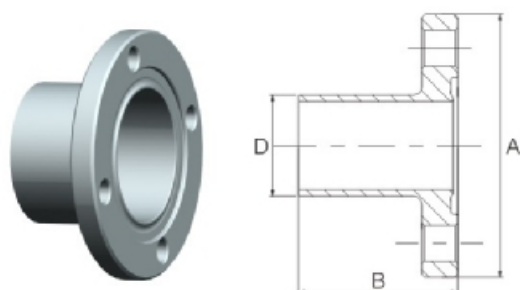


SIZE	A	B	D
DN10	54.0	25.5	13.0
DN15	59.0	25.5	19.0
DN20	64.0	25.5	23.0
DN25	70.0	25.5	29.0
DN32	76.0	25.5	35.0
DN40	82.0	25.5	41.0
DN50	94.0	25.5	53.0
DN65	113.0	25.5	70.0
DN80	133.0	27.5	85.0
DN100	159.0	27.5	104.0
DN125	183.0	29.5	129.0
DN150	213.0	29.5	154.0

## 无菌法兰-凹面(长型) Long type concave asptic flange

适用于Apply to: DIN11864-2; (OD=DIN 11866 DIN 11850)-A系列 A series

代码Code : F020631-000000

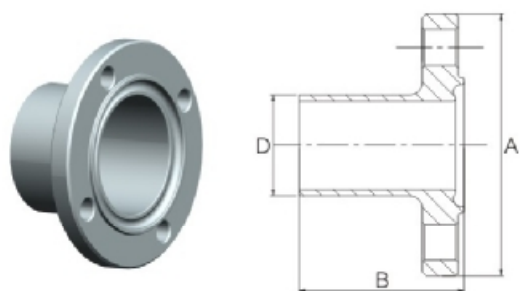


SIZE	A	B	D
DN10	54.0	40.0	13.0
DN15	59.0	40.0	19.0
DN20	64.0	40.0	23.0
DN25	70.0	40.0	29.0
DN32	76.0	45.0	35.0
DN40	82.0	45.0	41.0
DN50	94.0	45.0	53.0
DN65	113.0	54.0	70.0
DN80	133.0	58.0	85.0
DN100	159.0	58.0	104.0
DN125	183.0	60.0	129.0
DN150	213.0	60.0	154.0

## 无菌法兰-凸面(长型) Long type convex asptic flange

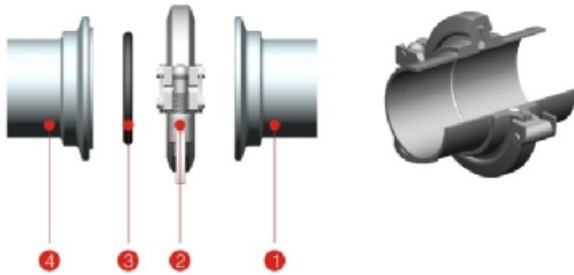
适用于Apply to: DIN11864-2; (OD=DIN 11866 DIN 11850)-A系列 A series

代码Code : F020632-000000



SIZE	A	B	D
DN10	54.0	41.5	13.0
DN15	59.0	41.5	19.0
DN20	64.0	41.5	23.0
DN25	70.0	41.5	29.0
DN32	76.0	46.5	35.0
DN40	82.0	46.5	41.0
DN50	94.0	46.5	53.0
DN65	113.0	55.5	70.0
DN80	133.0	59.5	85.0
DN100	159.0	59.5	104.0
DN125	183.0	61.5	129.0
DN150	213.0	61.5	154.0

## 无菌卡箍由任 Aseptic clamp union



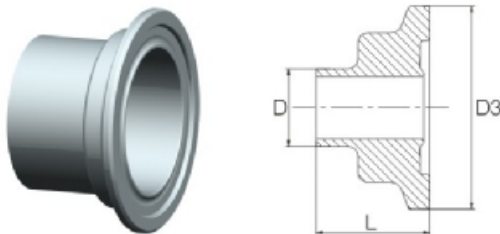
编号	名称	推荐材质 Recommend material	可选材质 Optional material			
1#	凹面接头 Concave ferrule	304	316L	1.4435	ASME BPE 316L	
2#	卡箍 Clamp	316L	304	1.4435	ASME BPE 316L	
3#	垫圈 Gasket	EPDM	Silicon	Vitong	HNBR	
4#	凸面接头 Convex ferrule	316L	304	1.4435	ASME BPE 316L	

注意：卡箍适用于DIN 32676&ASME BPE&BS4825-3&ISO2852；  
只要是卡盘尺寸对应即可；  
Notice: Clamp is suitable for .as long as clamp flange size  
match and it can be use.

## 无菌卡箍接头-凹面(短型) Short type concave aseptic clamp ferrule

适用于Apply to: DIN 11853-3; (OD=ASME BPE; 3A; ISO; BS)-C系列 C series

代码Code : F040611-000000

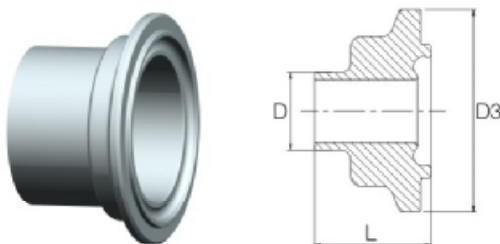


SIZE	D3	L	D
1/2"	34.0	22.0	12.7
3/4"	34.0	22.0	19.1
1"	50.5	22.0	25.4
1.5"	64.0	24.0	38.1
2"	77.5	24.5	50.8
2.5"	91.0	27.5	63.5
3"	106.0	28.5	76.2
4"	130.0	29.5	101.6

## 无菌卡箍接头-凸面(短型) Short type convex aseptic clamp ferrule

适用于Apply to: DIN 11853-3; (OD=ASME BPE; 3A; ISO; BS)-C系列 C series

代码Code : F040612-000000



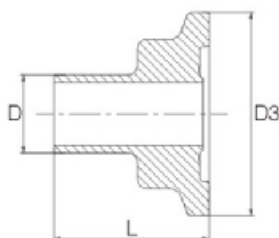
SIZE	D3	L	D
1/2"	34.0	23.5	12.7
3/4"	34.0	23.5	19.1
1"	50.5	23.5	25.4
1.5"	64.0	25.5	38.1
2"	77.5	26.0	50.8
2.5"	91.0	29.0	63.5
3"	106.0	30.0	76.2
4"	130.0	31.0	101.6

# 无菌系列 Sterile series

## 无菌卡箍接头-凹面(长型) Long type concave aseptic clamp ferrule

适用于Apply to: DIN 11864-3; (OD=ASME BPE; 3A; ISO; BS)-C系列 C series

代码Code : F040641-000000

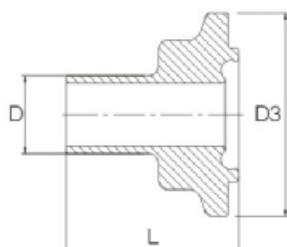


SIZE	D3	L	D
1/2"	34.0	38.0	12.7
3/4"	34.0	38.0	19.1
1"	50.5	38.5	25.4
1.5"	64.0	44.0	38.1
2"	77.5	44.5	50.8
2.5"	91.0	57.5	63.5
3"	106.0	58.5	76.2
4"	130.0	59.5	101.6

## 无菌卡箍接头-凸面(长型) Long type convex aseptic clamp ferrule

适用于Apply to: DIN 11864-3; (OD=ASME BPE; 3A; ISO; BS)-C系列 C series

代码Code : F040642-000000

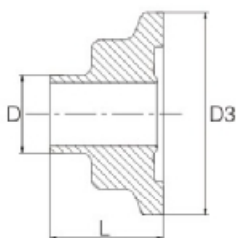


SIZE	D3	L	D
1/2"	34.0	39.5	12.7
3/4"	34.0	39.5	19.1
1"	50.5	40.0	25.4
1.5"	64.0	45.5	38.1
2"	77.5	46.0	50.8
2.5"	91.0	59.0	63.5
3"	106.0	60.0	76.2
4"	130.0	61.0	101.6

## 无菌卡箍接头-凹面(短型) Short type concave aseptic clamp ferrule

适用于Apply to: DIN 11853-3; (OD=DIN 11866 DIN 11850)-A系列 C series

代码Code : F020611-000000



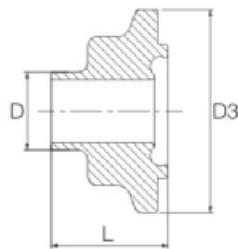
SIZE	D3	L	D
DN10	34.0	22.0	13.0
DN15	34.0	22.0	19.0
DN20	50.5	22.0	23.0
DN25	50.5	22.0	29.0
DN32	50.5	24.0	35.0
DN40	64.0	24.0	41.0
DN50	77.5	24.5	53.0
DN65	91.0	26.5	70.0
DN80	106.0	28.5	85.0
DN100	130.0	30.0	104.0



### 无菌卡箍接头-凸面(短型) Short type convex aseptic clamp ferrule

适用于Apply to: DIN 11853-3; (OD=DIN 11866 DIN 11850)-A系列 A series

代码Code : F020612-000000

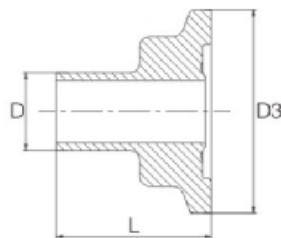


SIZE	D3	L	D
DN10	34.0	23.5	13.0
DN15	34.0	23.5	19.0
DN20	50.5	23.5	23.0
DN25	50.5	23.5	29.0
DN32	50.5	25.5	35.0
DN40	64.0	25.5	41.0
DN50	77.5	26.0	53.0
DN65	91.0	28.0	70.0
DN80	106.0	30.0	85.0
DN100	130.0	31.5	104.0

### 无菌卡箍接头-凹面(长型) Long type concave aseptic clamp ferrule

适用于Apply to: DIN 11864-3; (OD=DIN 11866 DIN 11850)-A系列 A series

代码Code : F020641-000000

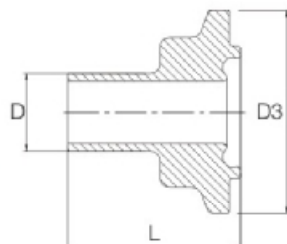


SIZE	D3	L	D
DN10	34.0	38.0	13.0
DN15	34.0	38.0	19.0
DN20	50.5	38.0	23.0
DN25	50.5	38.5	29.0
DN32	50.5	44.0	35.0
DN40	64.0	44.0	41.0
DN50	77.5	44.5	53.0
DN65	91.0	56.5	70.0
DN80	106.0	58.5	85.0
DN100	130.0	60.0	104.0

### 无菌卡箍接头-凸面(长型) Long type convex aseptic clamp ferrule

适用于Apply to: DIN 11864-3; (OD=DIN 11866 DIN 11850)-A系列 A series

代码Code : F020642-000000

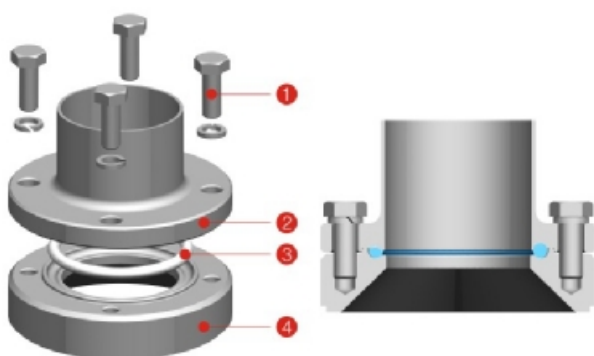


SIZE	D3	L	D
DN10	34.0	39.5	13.0
DN15	34.0	39.5	19.0
DN20	50.5	39.5	23.0
DN25	50.5	40.0	29.0
DN32	50.5	45.5	35.0
DN40	64.0	45.5	41.0
DN50	77.5	46.0	53.0
DN65	91.0	58.0	70.0
DN80	106.0	60.0	85.0
DN100	130.0	61.5	104.0

# 无菌系列 Sterile series



## 罐体-无菌法兰-连接器 Can-body/Aspetic flange/connector



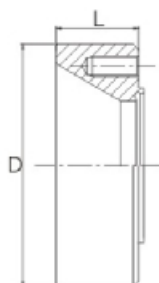
编号	名称	推荐材质 Recommend material	可选材质 Optional material		
1#	螺栓 Bolt	304	NO		
2#	凹法兰 Concave flange	316L	304	1.4435	ASME BPE 316L
3#	垫圈 Gasket	EPDM	Silicon	Vitong	HNBR
4#	凸面连接器 Convex connector	316L	304	1.4435	ASME BPE 316L

注意：法兰适用于DIN 11853/11864-2系列  
Notice: Flange is suitable for DIN 11853/11864-2 series

## 罐体-无菌法兰-连接器 Can-body/Aspetic clamp ferrule/connector

适用于Apply to: DIN 11853/DIN 11864-2; (OD=ASME BPE; 3A; ISO; BS)

代码Code : F040712-000-0001

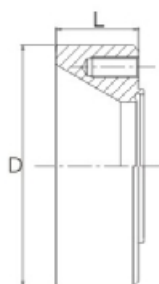


SIZE	D	L
1/2"	54	20
3/4"	59	20
1"	66	20
1.5"	79	20
2"	92	20
2.5"	107	20
3"	125	20
4"	157	20

## 罐体-无菌法兰-连接器 Can-body/Aspetic clamp ferrule/connector

适用于Apply to: DIN 11853/DIN 11864-2; (OD=DIN 11866 DIN 11850)

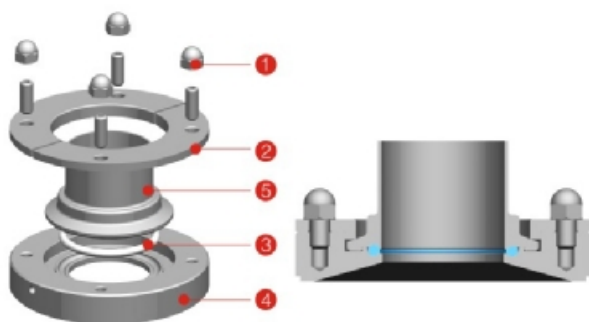
代码Code : F020712-000-0001



SIZE	D	L
DN10	54	20
DN15	59	20
DN20	64	20
DN25	70	20
DN32	76	20
DN40	82	20
DN50	94	20
DN65	113	20
DN80	133	20
DN100	159	20
DN125	183	20
DN150	213	20

### 罐体-无菌卡箍接头-连接器 Can-body/Aspetic clamp ferrule/connector

适合用Apply to: DIN 11853/DIN11864-3 卡箍接头 Clamp ferrule



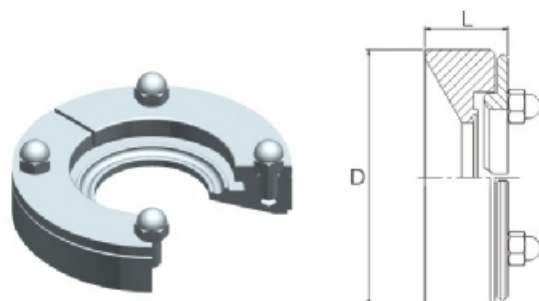
编号	名称	推荐材质 Recommend material	可选材质 Optional material		
1#	螺栓 Bolt	304	NO		
2#	压板 Clamp plate	316L	304	1.4435	ASME BPE 316L
3#	垫圈 Gasket	EPDM	Silicon	Vitong	HNBR
4#	连接器 Connector	316L	304	1.4435	ASME BPE 316L
5#	凹面接头 Concave ferrule	316L	304	1.4435	ASME BPE 316L

注意:卡箍接头适用于无菌系列DIN11853/DIN11864-3系列  
Notice:Clamp ferrule is suitable for aseptic series  
DIN11853/DIN11864-3 series

### 罐体-无菌卡箍接头-连接器 Can-body/Aspetic clamp ferrule/connector

适用于Apply to: DIN 11853/DIN 11864-3; (OD=ASME BPE; 3A; ISO; BS)

代码Code : F040702-000-0100

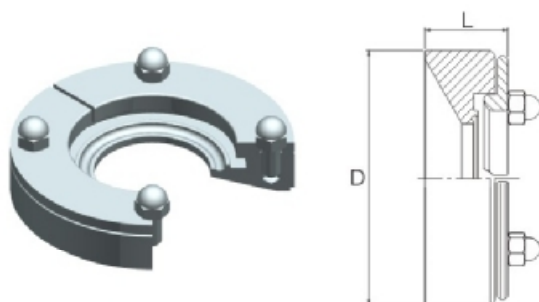


SIZE	D	L
1/2"	75.0	25.0
3/4"	75.0	25.0
1"	85.0	25.0
1.5"	100.0	25.0
2"	120.0	27.0
2.5"	135.0	27.0
3"	150.0	27.0
4"	170.0	27.0

### 罐体-无菌卡箍接头-连接器 Can-body/Aspetic clamp ferrule/connector

适用于Apply to: DIN 11853/DIN 11864-3; (OD=DIN 11866 DIN 11850)

代码Code : F020702-000-0100



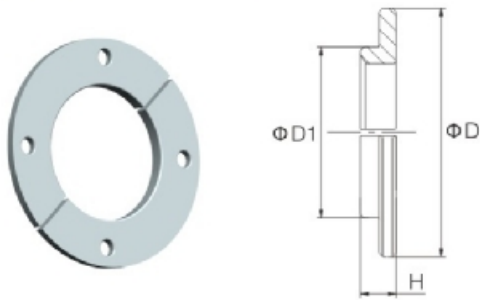
SIZE	D	L
DN10	75	25
DN15	75	25
DN20	85	25
DN25	85	25
DN32	85	25
DN40	100	25
DN50	120	27
DN65	135	27
DN80	150	27
DN100	170	27

# 无菌系列 Sterile series

## 罐体-无菌卡箍接头-压板 Can-body/Aspectic clamp ferrule/clamp plate

适用于Apply to: DIN 11853/DIN 11864-3; (OD=DIN 11866 DIN 11850)

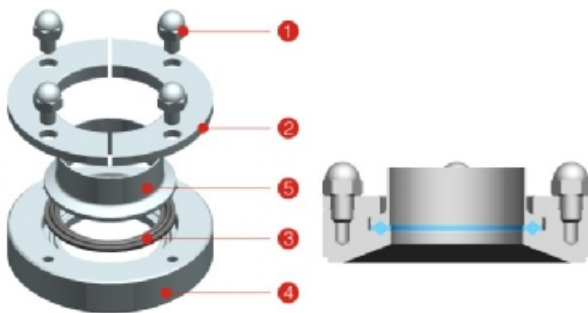
代码Code : F020702-000-0101



SIZE		D	H	D1
DN10-DN15	0.5"-0.75"	75	8	36
DN20-DN32	1"	85	8	53
DN40	1.5"	100	8	66
DN50	2"	120	8	80
DN65	2.5"	135	10	93
DN80	3"	150	10	108
DN100	4"	170	10	132

## 罐体-卡箍接头-连接器 Can-body/aspetic sight glass/connector

适合用Apply to: DIN 32676&3A&BPE&ISO 卡箍接头 Clamp ferrule



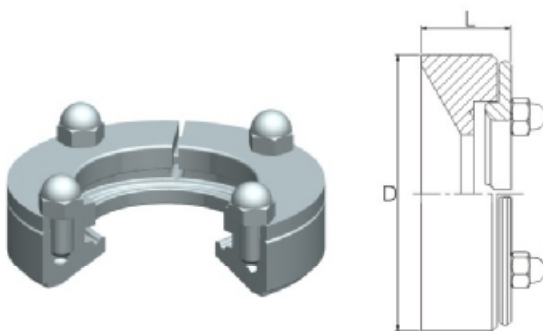
编号	名称	推荐材质 Recommend material	可选材质 Optional materail		
1#	螺栓 Bolt	304	NO		
2#	压板 Clamp plate	316L	304	1.4435	ASME BPE 316L
3#	垫圈 Gasket	EPDM	Silicon	Vitong	HNBR
4#	连接器 Connector	316L	304	1.4435	ASME BPE 316L
5#	卡箍接头 Clamp ferrule	316L	304	1.4435	ASME BPE 316L

注意: 卡箍接头适用于, DIN32676&ASME BPE &BS4825-3& ISO2852; 该标准就是常规通用的卡箍接头, 长度可以根据客户要求, 一般建议用28.6mm长度;  
Notice: Clamp ferrule is suitable for DIN32676&ASME BPE & BS4825-3&ISO2852, the standard is common clamp ferrule, the length could be customized according to client's requirement, general recommend 28.6mm length

## 罐体-卡箍接头-连接器 Can-body/aspetic sight glass/connector

适用于Apply to: ASME BPE/3A/ BS2825-3/ ISO2852; (OD=ASME BPE; 3A; ISO; BS)

代码Code : F040732-000-0100

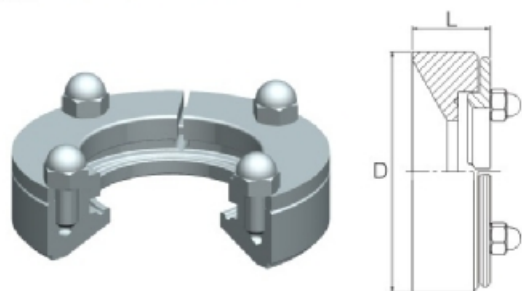


SIZE	D	L
1"	85	25
1.5"	85	25
2"	100	25
2.5"	120	27
3"	135	27
4"	160	27

### 罐体-卡箍接头-连接器 Can-body/aseptic sight glass/connector

适用于Apply to: DIN 32676(OD=DIN 11866 DIN 11850)

代码Code : F020732-000-0100

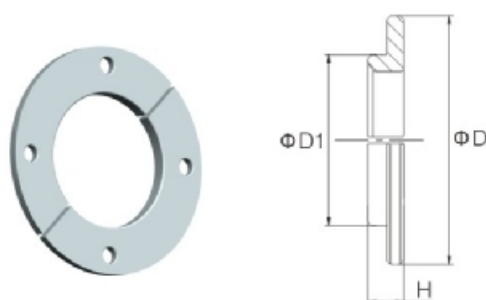


SIZE	D	L
DN10	75.0	25.0
DN15	75.0	25.0
DN20	75.0	25.0
DN25	85.0	25.0
DN32	85.0	25.0
DN40	85.0	25.0
DN50	100.0	25.0
DN65	135.0	27.0
DN80	150.0	27.0
DN100	160.0	27.0

### 罐体-卡箍接头-压板 Can-body/clamp ferrule/clamp plate

适用于Apply to: DIN 11853/DIN 11864-3; (OD=DIN 11866 DIN 11850)

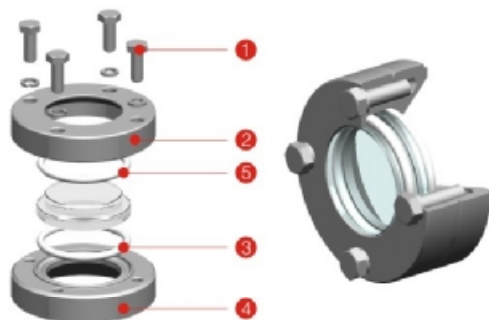
货号代码Code : F020702-000-0101



SIZE		D	L	D1
DN10-DN20	-	75	8	36
DN25-DN40	1"-1.5"	85	8	53
DN50	2"	100	8	66
-	2.5"	120	8	79
DN65	3"	135	10	93
DN80	-	150	10	108
DN100	4"	160	10	121

### 罐体-无菌视镜-连接器 Can-body/aseptic sight glass/connector

适合用Apply to: DIN 32676&3A&BPE&ISO 卡箍接头 Clamp ferrule



编号	名称	推荐材质 Recommend material	可选材质 Optional material			
1#	螺栓 Bolt	304	NO			
2#	玻璃压盖 Glass cover	304	316L			
3#	垫圈 Gasket	EPDM	Silicon	Vitong	HNBR	
4#	玻璃 Glass	硼硅钢化玻璃 Borosilicate glass				
5#	连接器 Connector	316L	304	1.4435	ASME BPE	316L

注意: 罐体连接器适用于罐体法兰连接器, 如客户购买的是罐体连接器, 后期也可以更换成罐体-无菌视镜; 压力等级=10bar; 温度最高=130°C;  
Notice: Tank connector is apply to tank flange connector, such as client purchase tank connector, the late can also be replaced with tank aseptic sight glass. Pressure 10 bar, max temperature 130°C

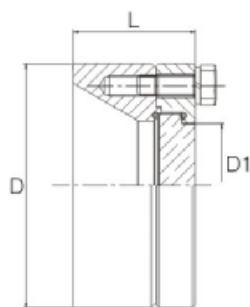


# 无菌系列 Sterile series

## 罐体-无菌视镜-连接器 Can-body/aseptic sight glass/connector

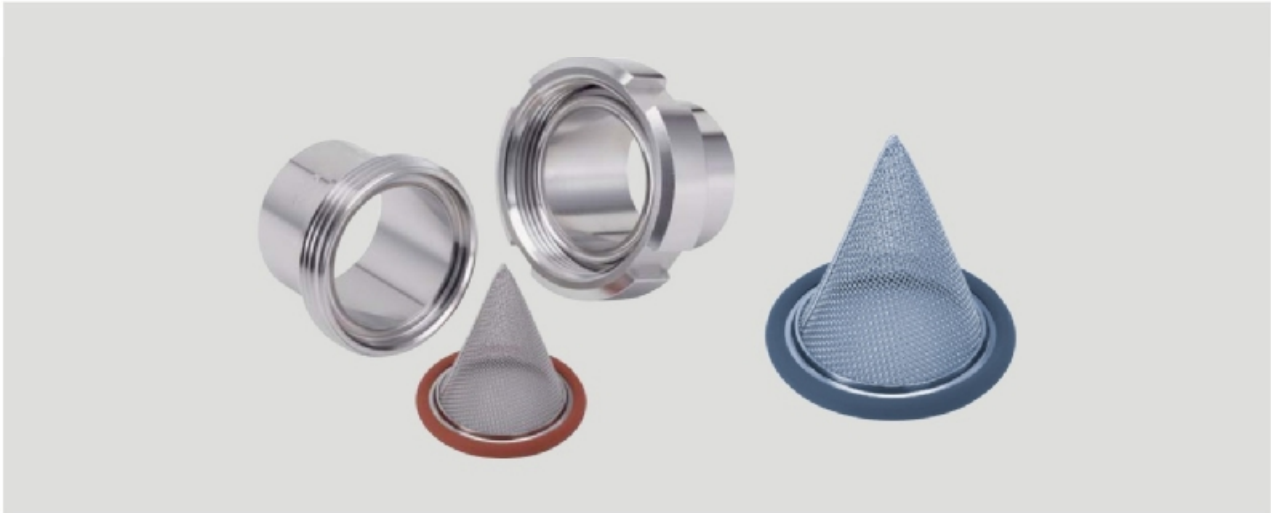
适用于Apply to: DIN ASME BPE ISO 3A 等标准

货号代码Code : VSJ710N1



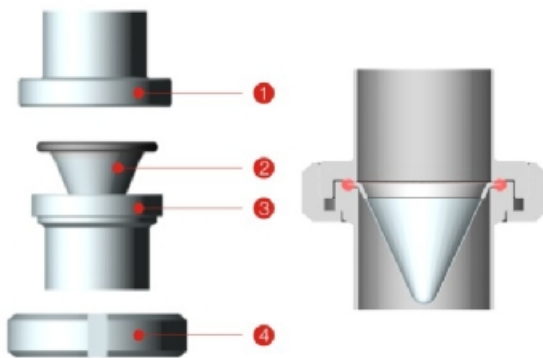
	SIZE	D	L
DN10	1/2"	54.0	36
DN15	3/4"	59.0	36
DN20	-	64.0	36
DN25	1"	70.0	36
DN32	-	76.0	38
DN40	1.5"	82.0	38
DN50	2"	94.0	38
DN65	2.5"	113.0	38
DN80	3"	133.0	38
DN100	4"	159.0	38





### 无菌-螺纹由任-过滤器 Aseptic thread union filter

适合用Apply to: DIN 32676&3A&BPE&ISO 卡箍接头 Clamp ferrule



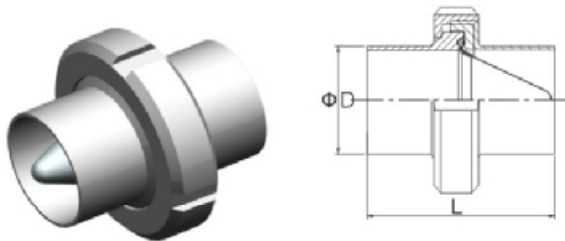
编号	名称	推荐材质 Recommend material	可选材质 Optional material			
1#	螺纹接头 Male	304	NO			
2#	过滤网 Filter screen	304	316L			
3#	平接头 Liner	EPDM	Silicon	Vitong	HNBR	
4#	螺母 Nut	316L	304	1.4435	ASME BPE 316L	

注意: 1)由任通用于DIN11864-1(OD尺寸可根据客户要求选择,如DIN &ASMEBPE&inch等); 2)滤芯可根据客户选择 100目到300目, 推荐为100目。  
Notice: 1) Union is use for DIN11864-1 (OD size can be selected according to customer requirements, such as DIN & ASME BPE & INCH, etc. ; 2) filter element 100 mesh to 300 mesh can be selected according to customer, recommended for 100 mesh)

### 无菌-螺纹由任-过滤器

适用于Apply to: DIN 标准 Standard

货号代码Code : DIN-EGL610



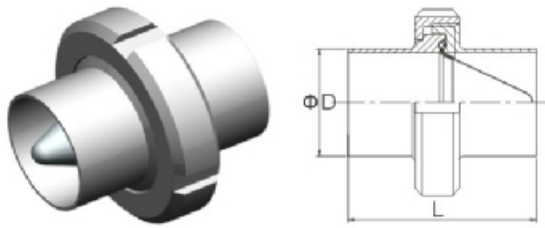
SIZE	D	L
DN10	13.0	76
DN15	19.0	76
DN20	23.0	76
DN25	29.0	77
DN32	35.0	88
DN40	41.0	88
DN50	53.0	89
DN65	70.0	113
DN80	85.0	117
DN100	104.0	120

# 无菌系列 Sterile series

## 无菌-螺纹由任-过滤器 Aseptic thread union filter

适用于Apply to: ASME BPE ISO 3A 等标准 ASME BPE ISO 3A standard

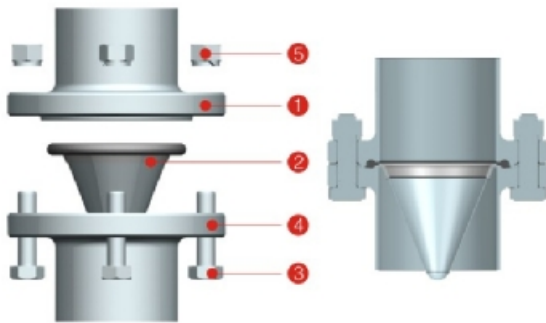
货号代码Code : 3A-EGL610



SIZE	D	L
1/2"	12.7	76
3/4"	19.1	76
1"	25.4	77
1.5"	38.1	88
2"	50.8	89
2.5"	63.5	115
3"	76.2	117
4"	101.6	119

## 无菌法兰-过滤器 Aseptic flange filter

适合用Apply to: DIN 32676&3A&BPE&ISO 卡箍接头 Clamp ferrule



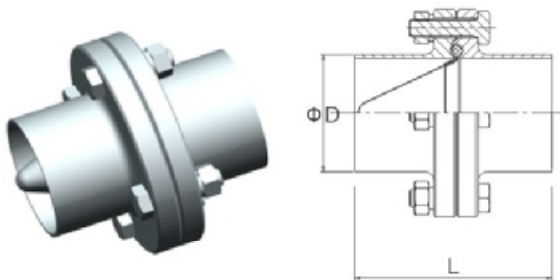
编号	名称	推荐材质 Recommend material	可选材质 Optional material		
1#	凸法兰 Convex flange	316L	304	1.4435	ASME BPE 316L
2#	过滤网 Filter screen	316L	304		
3#	螺栓 Bolt	304			
4#	凹法兰 Concave flange	316L	304	1.4435	ASME BPE 316L
5#	螺母 Nut	304			NO

注意: 1)由任通用于DIN11864-2(OD尺寸可根据客户要求选择,如DIN &ASMEBPE&inch等); 2)滤芯可根据客户选择 100目到300目, 推荐为100目。  
Notice: 1) Union is use for DIN11864-2 (OD size can be selected according to customer requirements, such as DIN & ASME BPE & INCH, etc. ; 2) filter element 100 mesh to 300 mesh can be selected according to customer, recommended for 100 mesh)

## 无菌-法兰-过滤器 Aseptic flange filter

适用于Apply to: DIN

货号代码Code : DIN-EGL620

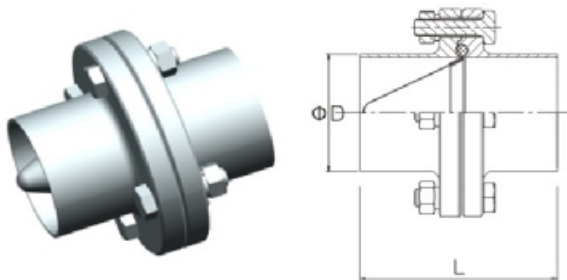


SIZE	D	L
DN10	13.0	80.0
DN15	19.0	80.0
DN20	23.0	80.0
DN25	29.0	80.0
DN32	35.0	90.0
DN40	41.0	90.0
DN50	53.0	90.0
DN65	70.0	108.0
DN80	85.0	116.0
DN100	104.0	116.0
DN125	183.0	120.0
DN150	213.0	120.0

### 无菌-法兰-过滤器 Aseptic flange filter

适用于Apply to: ASME BPE ISO 3A 等标准 ASME BPE ISO 3A standard

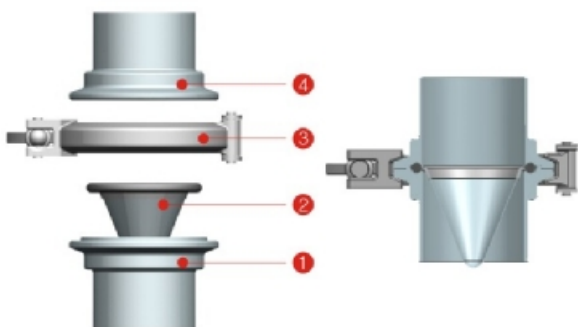
货号代码Code : 3A-EGL620



SIZE	D	L
1/2"	12.7	80.0
3/4"	19.1	80.0
1"	25.4	80.0
1.5"	38.1	90.0
2"	50.8	90.0
2.5"	63.5	108.0
3"	76.2	112.0
4"	101.6	116.0

### 无菌卡箍由任-过滤器 Aseptic clamp ferrule filter

适合用Apply to: DIN 32676&3A&BPE&ISO 卡箍接头 Clamp ferrule



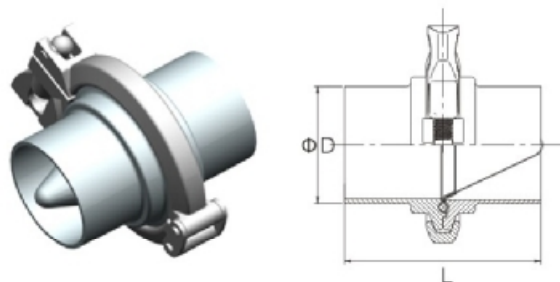
编号	名称	推荐材质 Recommend material	可选材质 Optional material		
1#	凸法兰 Convex flange	316L	304	1.4435	ASME BPE 316L
2#	过滤网 Filter screen	316L	304		
3#	卡箍 Clamped	304	316L	NO	
4#	凹法兰 Concave flange	316L	304	1.4435	ASME BPE 316L

注意: 1)由任通用于DIN11864-1(OD尺寸可根据客户要求选择, 如DIN & ASME BPE & inch等); 2)滤芯可根据客户选择 100目到300目, 推荐为100目。  
Notice: 1) Union is use for DIN11864-1 (OD size can be selected according to customer requirements, such as DIN & ASME BPE & INCH, etc. ; 2) filter element 100 mesh to 300 mesh can be selected according to customer, recommended for 100 mesh)

### 无菌卡箍由任-过滤器 Aseptic clamp ferrule filter

适用于Apply to: DIN 标准 Standard

货号代码Code : DIN-EGL630



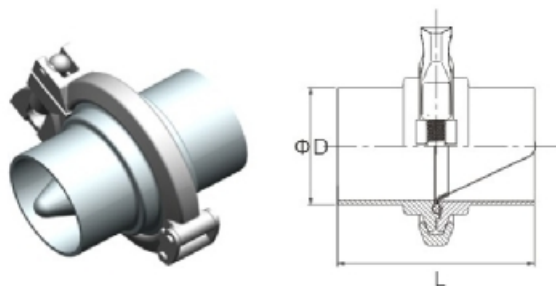
SIZE	D	L
DN10	13.0	76.0
DN15	19.0	76.0
DN20	23.0	76.0
DN25	29.0	77.0
DN32	35.0	88.0
DN40	41.0	88.0
DN50	53.0	89.0
DN65	70.0	113.0
DN80	85.0	117.0
DN100	104.0	120.0

# 无菌系列 Sterile series

## 无菌卡箍由任-过滤器 Asptic clamp ferrule filter

适用于Apply to: ASME BPE ISO 3A 等标准 ASME BPE ISO 3A standard

货号代码Code : 3A-EGL630



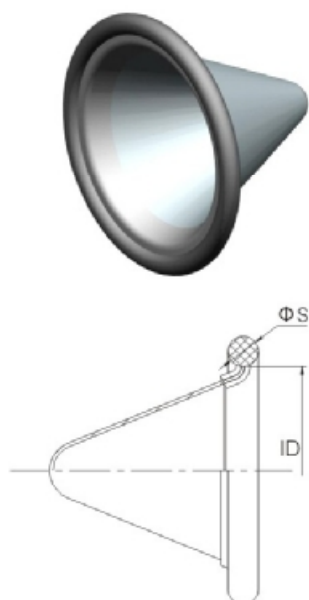
SIZE	D	L
1/2"	12.7	76.0
3/4"	19.1	76.0
1"	25.4	77.0
1.5"	38.1	88.0
2"	50.8	89.0
2.5"	63.5	115.0
3"	76.2	117.0
4"	101.6	119.0

## 罐体连接器-无菌系列-无菌垫圈-带滤网 Tank connector/asptic series/asptic gasket with filter screen

适用于Apply to: DIN ASME BPE ISO 3A 无菌法兰&无菌螺纹由任&无菌卡箍由任 Asptic flange & asptic thread union & asptic clamp union

货号代码Code : DIN-EGL620-000-0001

货号代码Code : 3A-EGL620-000-0001



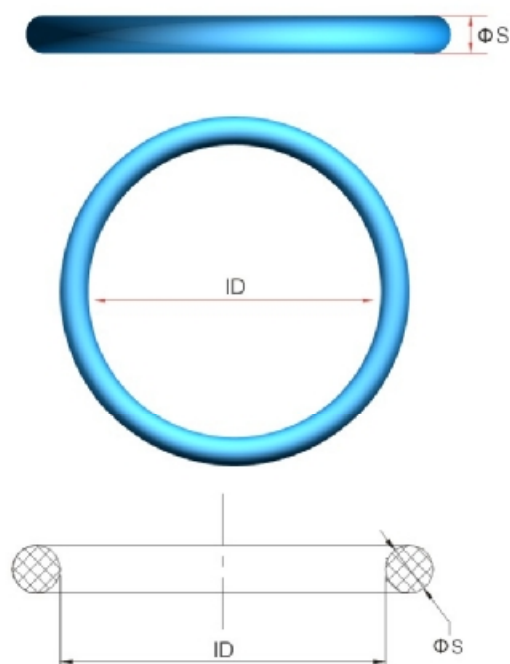
SIZE		ID	ΦS
DIN系列 series	3A系列 series		
DN10	1/2"	12	3.5
DN15	3/4"	18	
DN20	-	22	
	1"	24	
DN25	-	28	
DN32	-	34	5.0
	1.5"	37	
DN40	-	40	
	2"	50	
DN50	-	52	
	2.5"	62	
DN65	-	68	
	3"	75	
DN80	-	83	
	4"	100	
DN100	-	102	
DN125	-	127	
DN150	-	152	

注意: 该垫圈适用范围, 只要对应规格, 即可适用到各种无菌系列配套;  
Notice: As long as correspond to size, the gasket could be use in various asptic series



### 罐体连接器-无菌系列-垫圈(O型圈) Tank connector/aseptic series/seal (O ring seal)

价格适用于Apply to: DIN ASME BPE ISO 3A ; 无菌法兰&无菌螺纹由任&无菌卡箍由任

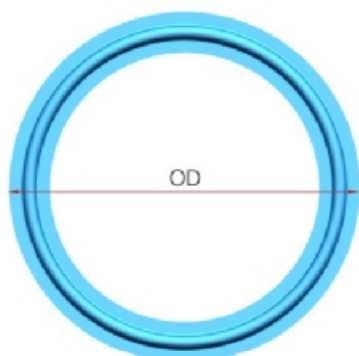


SIZE		ID	ΦS
DIN系列 series	3A系列 series		
DN10	1/2"	12	3.5
DN15	3/4"	18	
DN20	-	22	
	1"	24	
DN25		28	
DN32	-	34	5.0
	1.5"	37	
DN40		40	
	2"	50	
DN50		52	
	2.5"	62	
DN65		68	
	3"	75	
DN80		83	
	4"	100	
DN100		102	
DN125		127	
DN150		152	

注意: 该垫圈适用范围, 只要对应外径和内径即可适用到各种标准卡箍接头配套;  
Notice: As long as correspond to OD and ID size, the gasket can be use in various standard clamp ferrule

### 罐体连接器-卡箍接头-垫圈 Tank connector/Clamp ferrule/gasket

价格适用于Apply to: DIN 32676&ASME BPE &ISO1127&ISO1852&SMS



SIZE		OD
DN10	1/2"	34
DN15	3/4"	34
DN20	-	34
DN25	1"	50.5
DN32	-	50.5
DN40	1.5"	50.5
DN50	2"	64
-	2.5"	77.5
DN65	3"	91
DN80	-	106
DN100	4"	119

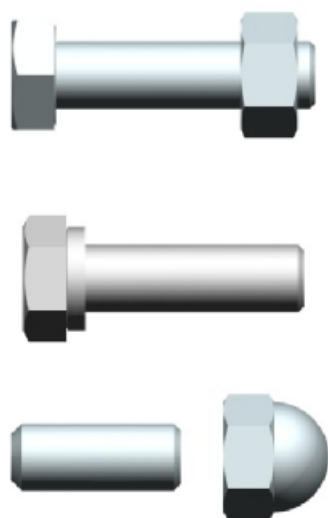
注意: 该垫圈适用范围, 只要对应外径和内径即可适用到各种标准卡箍接头配套;  
Notice: As long as correspond to OD and ID size, the gasket can be use in various standard clamp ferrule

# 无菌系列 Sterile series



## 无菌系列-螺栓&螺母 Aseptic series bolt and nut

价格适用于Apply to: DIN 11853; DIN 11864;



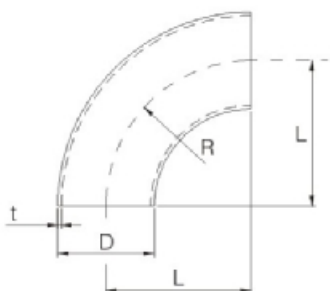
SIZE		螺栓/螺母 Bolt /nut		
		数量 Quantity	螺纹 Thread	长度 Length
DN10	1/2"	4	M8	30
DN15	3/4"	4	M8	30
DN20	-	4	M8	30
DN25	1"	4	M8	30
DN32	-	4	M8	30
DN40	1.5"	4	M8	30
DN50	2"	4	M8	30
DN65	2.5"	8	M8	30
DN80	3"	8	M10	35
DN100	4"	8	M10	40
DN125	-	8	M10	40
DN150	-	8	M12	50

# 弯头系列

## Elbow Bend Series

### 短型-90° 对焊弯头- (推荐系列) Short 90deg. Weld elbow (Recommended series)

执行标准Executive standard: 3A 适用于Applied to: AS1528, BS4825, 3A,SMS-DS (R=1.5D)

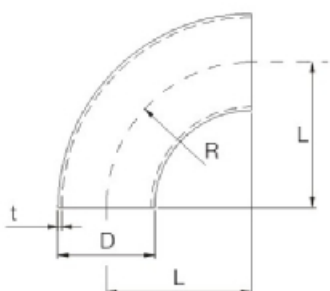


3A货号代码 Code : F040101  
SMS货号代码 Code : F030101

SIZE	尺寸			壁厚	
	R	L	D	3A/AS/BS	SMS/DS
0.5	19.1	19.1	12.7	1.65	/
0.75	28.6	28.6	19.1	1.65	/
1.0	38.1	38.1	25.4	1.65	1.5
1.25	47.6	47.6	31.8	1.50	1.5
1.5	57.2	57.2	38.1	1.65	1.5
2.0	76.2	76.2	50.8	1.65	1.5
2.5	95.3	95.3	63.5	1.65	2
3.0	114.3	114.3	76.2	1.65	2
4.0	152.4	152.4	101.6	2.10	2.1
5.0	190.5	190.5	127.0	2.10	/
6.0	228.6	228.6	152.4	2.80	/

### 短型-90° 对焊弯头- (选型系列) Short 90deg. Weld elbow (Selection series)

适用于Applied to: ISO/JIS3447



货号代码 Code : F050101

SIZE	尺寸			壁厚
	R	L	D	ISO/JIS3447
1.0	33.5	33.5	25.4	1.50
1.25	38.0	38.0	31.8	1.50
1.5	48.5	48.5	38.1	1.50
2.0	60.5	60.5	50.8	1.50
2.5	83.5	83.5	63.5	2.00
3.0	88.5	88.5	76.2	2.00
3.5	103.5	103.5	88.9	2.00
4.0	127.0	127.0	101.6	2.10

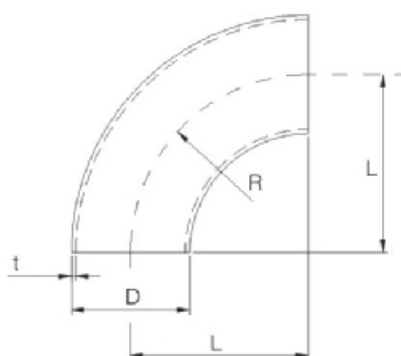


# 弯头系列

## Elbow Bend Series

### 短型-90° 对焊弯头- ( 选型系列 ) Short 90deg. Weld elbow (Selection series)

适用于Applied to: ISO1127

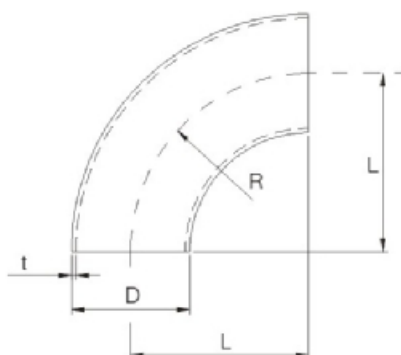


SIZE	尺寸			壁厚
	R	L	D	ISO1127
17.2	27.5	27.5	17.2	1.6
21.3	28.0	28.0	21.3	1.6
26.9	29.0	29.0	26.9	1.6
33.7	38.0	38.0	33.7	2.0
42.4	48.0	48.0	42.4	2.0
45.0	57.5	57.5	45.0	2.0
48.3	57.0	57.0	48.3	2.0
57.0	68.0	68.0	57.0	2.0
60.3	76.0	76.0	60.3	2.0
76.1	95.0	95.0	76.1	2.0
89.0	通用于ISO/JIS			
108.0	152.0	152.0	108.0	2.0
114.3	152.0	152.0	114.3	2.0
133.0	190.0	190.0	133.0	3.0
139.7	190.0	190.0	139.7	2.6
159.0	228.6	228.6	159.0	3.0
168.3	229.0	229.0	168.3	2.6
219.1	305.0	305.0	219.1	2.6

货号代码 Code : F070101

### 短型-90° 对焊弯头- ( 选型系列 ) 90deg. Weld elbow (Selection series)

适用于Applied to: DIN11852

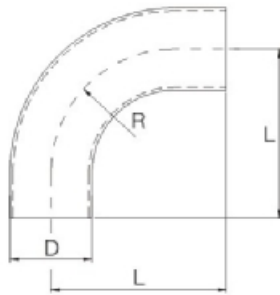


SIZE	尺寸		推荐系列	第二系列	壁厚
	R	L	D	D	DIN 11852
DN10	26.0	26.0	/	13	1.5
DN15	35.0	35.0	/	19	1.5
DN20	40.0	40.0	22	23	1.5
DN25	50.0	50.0	28.0	29	1.5
DN32	55.0	55.0	34.0	35	1.5
DN40	60.0	60.0	40.0	41	1.5
DN50	70.0	70.0	52.0	53	1.5
DN65	80.0	80.0	70.0	/	2.0
DN80	90.0	90.0	85.0	/	2.0
DN100	100.0	100.0	104.0	/	2.0
DN125	187.5	187.5	129.0	/	2.0
DN150	225.0	225.0	154.0	/	2.0
DN200	300.0	300.0	204.0	/	2.0

货号代码 Code : F020101

### 长型-90° 对焊弯头- ( 推荐系列 ) Long 90deg. Weld elbow (Recommended series)

执行标准Executive standard: 3A 适用于Applied to: BS4825, 3A,ISO ( R=1.5D )

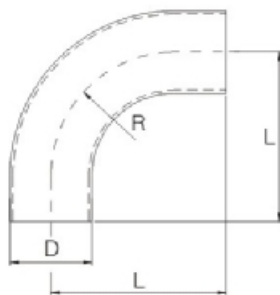


3A货号代码 Code : F040102  
ISO货号代码 Code : F050102

SIZE	尺寸			壁厚	
	R	L	D	3A/BS	ISO
1/2"	19.1	45.0	12.7	1.65	/
3/4"	28.6	60.0	19.1	1.65	/
1"	38.1	65.0	25.4	1.65	1.5
1 1/4"	47.6	75.0	31.8	1.50	1.5
1 1/2"	57.2	85.0	38.1	1.65	1.5
2"	76.2	110.0	50.8	1.65	1.5
2 1/2"	95.3	135.0	63.5	1.65	2
3"	114.3	155.0	76.2	1.65	2
4"	152.4	195.0	101.6	2.10	2.1

### 长型-90° 对焊弯头- ( 选型系列 ) Long 90deg. Weld elbow (Selection series)

适用于Applied to: AS1528 ( R=1.5D )

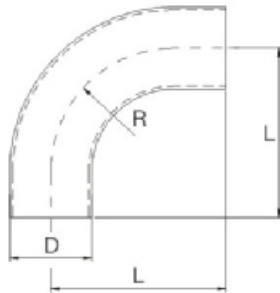


货号代码 Code : F010102

SIZE	尺寸			壁厚	
	R	L	D	AS1528	
1"	38.1	68.1	25.4	1.65	
1 1/4"	47.7	77.7	31.8	1.65	
1 1/2"	57.2	87.2	38.1	1.65	
2"	76.2	106.2	50.8	1.65	
2 1/2"	95.3	125.3	63.5	1.65	
3"	114.3	144.3	76.2	1.65	
4"	152.4	182.4	101.6	2.10	
5"	190.5	230.5	127.0	2.10	
6"	228.6	268.6	152.4	2.80	

### 长型-90° 对焊弯头- ( 选型系列 ) Long 90deg. Weld elbow (Selection series)

适用于Applied to: SMS/DS ( R=1D )



货号代码 Code : F030102

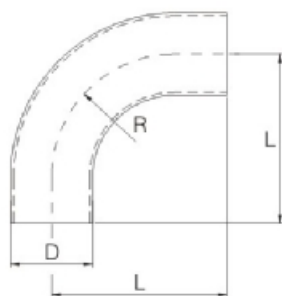
SIZE	尺寸			壁厚	
	R	L	D	SMS/DS	
1"	25.0	55.0	25.0	1.25	1.5
1 1/4"	32.0	64.0	32.0	1.25	1.5
1 1/2"	38.0	70.0	38.0	1.25	1.5
2"	51.0	82.0	51.0	1.25	1.5
2 1/2"	63.5	105.0	63.5	1.50	2.0
3"	76.0	110.0	76.0	1.60	2.0
4"	101.6	150.0	101.6	2.00	2.0



## 弯头系列 Elbow Bend Series

### 长型-90° 对焊弯头- (DIN 推荐系列) Long 90deg. Weld elbow (Recommended series)

适用于Applied to: DIN11852

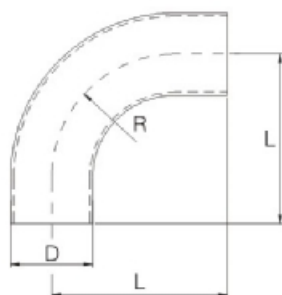


货号代码 Code : F020102

SIZE	尺寸		推荐系列	壁厚
	R	L		
DN20	40.0	52.0	22.0	1.5
DN25	50.0	70.0	28.0	1.5
DN32	55.0	78.0	34.0	1.5
DN40	60.0	85.0	40.0	1.5
DN50	70.0	97.0	52.0	1.5
DN65	80.0	110.0	70.0	2.0
DN80	90.0	118.0	85.0	2.0
DN100	100.0	140.0	104.0	2.0
DN125	187.5	227.0	129.0	2.0
DN150	225.0	265.0	154.0	2.0

### 长型-90° 对焊弯头 Long 90deg. Weld elbow

适用于Applied to: DIN11852

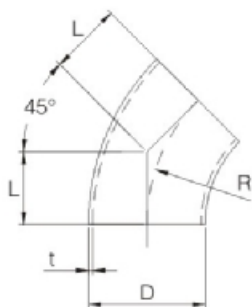


货号代码 Code : F020102-1

SIZE	尺寸		第二系列	壁厚
	R	L		
DN10	26.0	51.0	13.0	1.5
DN15	35.0	60.0	19.0	1.5
DN20	40.0	65.0	23.0	1.5
DN25	50.0	90.0	29.0	1.5
DN32	55.0	95.0	35.0	1.5
DN40	60.0	100.0	41.0	1.5
DN50	70.0	110.0	53.0	1.5
DN65	80.0	120.0	70.0	2.0
DN80	90.0	145.0	85.0	2.0
DN100	100.0	155.0	104.0	2.0
DN125	187.5	245.0	129.0	2.0

### 短型-45° 对焊弯头- (推荐系列) Short 45deg. Weld elbow (Recommended series)

执行标准Executive standard: 3A 适用于Applied to: AS1528, BS4825, 3A,SMS-DS (R=1.5D)

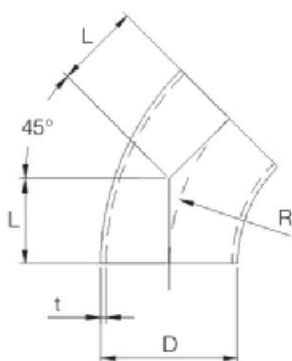


3A货号代码 Code : F040111  
SMS代码 Code : F030111

SIZE	尺寸			壁厚	
	R	L	D	3A/AS/BS	SMS
0.5	19.1	7.9	12.7	1.65	/
0.75	28.6	11.8	19.1	1.65	/
1.0	38.1	15.8	25.4	1.65	1.5
1.25	47.6	19.8	31.8	1.50	1.5
1.5	57.2	23.7	38.1	1.65	1.5
2.0	76.2	31.8	50.8	1.65	1.5
2.5	95.3	39.6	63.5	1.65	2
3.0	114.3	47.5	76.2	1.65	2
4.0	152.4	63.2	101.6	2.10	2.1
5.0	190.5	78.9	127.0	2.10	/
6.0	228.6	94.7	152.4	2.80	/

### 短型-45° 对焊弯头- ( 选型系列 ) Short 45deg. Weld elbow (Selection series)

适用于Applied to: ISO/JIS3447

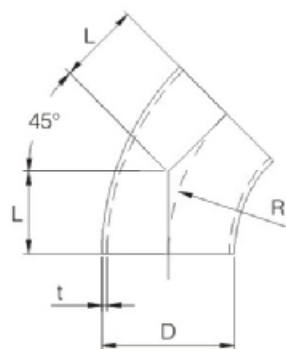


货号代码 Code : F050111

SIZE	尺寸			壁厚
	R	L	D	ISO/JIS3447
1.0	33.5	13.9	25.4	1.5
1.25	38.0	15.7	31.8	1.5
1.5	48.5	20.1	38.1	1.5
2.0	60.5	25.1	50.8	1.5
2.5	83.5	34.6	63.5	2.0
3.0	88.5	36.7	76.2	2.0
3.5	103.5	42.9	88.9	2.0
4.0	127.0	52.6	101.6	2.0

### 短型-45° 对焊弯头- ( 选型系列 ) Short 45deg. Weld elbow (Selection series)

适用于Applied to: ISO1127



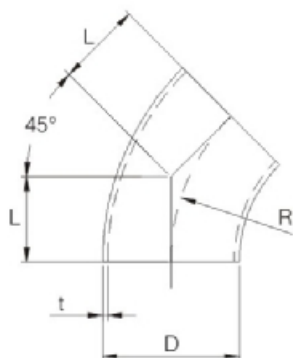
货号代码 Code : F070111

SIZE	尺寸			壁厚
	R	L	D	ISO1127
17.2	27.5	11.4	17.2	1.6
21.3	28.0	11.6	21.3	1.6
26.9	29.0	12.0	26.9	1.6
33.7	38.0	15.7	33.7	2.0
42.4	48.0	19.9	42.4	2.0
45.0	57.5	23.8	45.0	2.0
48.3	57.0	23.6	48.3	2.0
57.0	68.0	28.1	57.0	2.0
60.3	76.0	31.5	60.3	2.0
76.1	95.0	39.4	76.1	2.0
89.0	通用于ISO/JIS标准			
108.0	152.0	63.0	108.0	2.0
114.3	152.0	63.0	114.3	2.0
133.0	190.0	78.7	133.0	3.0
139.7	190.0	78.7	139.7	2.6
159.0	228.6	94.9	159.0	3.0
168.3	229.0	94.9	168.3	2.6
219.1	305.0	126.3	219.1	2.6

## 弯头系列 Elbow Bend Series

### 短型-45° 对焊弯头 (DIN推荐系列) Short 45deg. Weld elbow (DIN Recommended series)

适用于Applied to: DIN11852

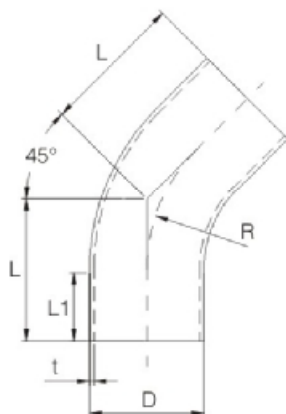


SIZE	长度		推荐系列	第二系列	壁厚
	R	L	D	D	DIN11852
DN10	26.0	10.8	/	13.0	1.5
DN15	35.0	14.5	/	19.0	1.5
DN20	40.0	16.6	22.0	23.0	1.5
DN25	50.0	20.7	28.0	29.0	1.5
DN32	55.0	22.8	34.0	35.0	1.5
DN40	60.0	24.9	40.0	41.0	1.5
DN50	70.0	29.0	52.0	53.0	1.5
DN65	80.0	33.1	70.0	-	2.0
DN80	90.0	37.3	85.0	-	2.0
DN100	100.0	41.4	104.0	-	2.0
DN125	187.5	77.7	129.0	-	2.0
DN150	225.0	93.2	154.0	-	2.0

货号代码 Code : F020111

### 长型-45° 对焊弯头- (推荐系列) Long 45deg. Weld elbow (Recommended series)

执行标准Executive standard: 3A 适用于Applied to: AS1528, BS4825, 3A,ISO (R=1.5D)

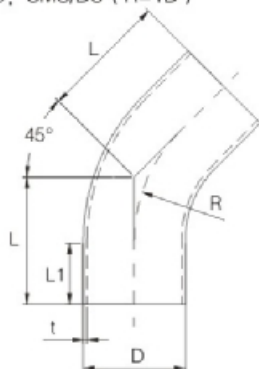


SIZE	尺寸			壁厚	
	L	L1	D	3A/AS/BS	ISO
1/2"	37.9	30.0	12.7	1.65	/
3/4"	41.8	30.0	19.1	1.65	/
1"	45.8	30.0	25.4	1.65	1.5
1 1/4"	49.8	30.0	31.8	1.50	1.5
1 1/2"	53.7	30.0	38.1	1.65	1.5
2"	61.8	30.0	50.8	1.65	1.5
2 1/2"	69.6	30.0	63.5	1.65	2
3"	77.5	30.0	76.2	1.65	2
4"	93.2	30.0	101.6	2.10	2.1
5"	118.9	40.0	127.0	2.10	/
6"	134.7	40.0	152.4	2.80	/

3A货号代码 Code : F040112  
ISO货号代码 Code : F050112

### 短型-45° 对焊弯头- ( 选型系列 ) Short 45deg. Weld elbow (Selection series)

适用于Applied to: SMS/DS ( R=1D )

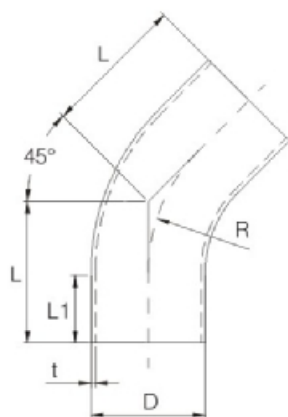


货号代码 Code : F030112

SIZE	尺寸			壁厚
	L	L1	D	SMS/DS
1"	45.0	34.6	25.4	1.5
1 1/4"	53.3	40.0	31.8	1.5
1 1/2"	56.7	41.0	38.1	1.5
2"	63.3	42.2	50.8	1.5
2 1/2"	80.8	54.4	63.5	2.0
3"	82.0	50.5	76.2	2.0
4"	108.9	66.8	101.6	2.0

### 长型-45° 对焊弯头 Long 45deg. Weld elbow

适用于Applied to: DIN11852



货号代码 Code : F020112

SIZE	尺寸		推荐系列	第二系列	壁厚
	L	L1	D	D	DIN 11852
DN10	35.8	25.0	/	13	1.5
DN15	39.5	25.0	/	19	1.5
DN20	41.6	25.0	22	23	1.5
DN25	60.7	40.0	28.0	29	1.5
DN32	62.8	40.0	34.0	35	1.5
DN40	64.9	40.0	40.0	41	1.5
DN50	69.0	40.0	52.0	53	1.5
DN65	73.1	40.0	70.0	/	2.0
DN80	92.3	40.0	85.0	/	2.0
DN100	96.4	55.0	104.0	/	2.0
DN125	135.2	57.5	129.0	/	2.0

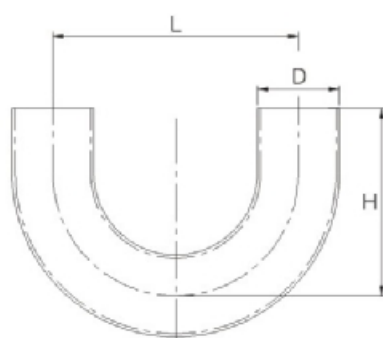


# 弯头系列

## Elbow Bend Series

### 长型-180° 对焊弯头- ( 推荐系列 ) Long 180deg. Weld elbow (Recommended series)

执行标准Executive standard: 3A 适用于Applied to: AS1528, BS4825,3A,SMS-DS,ISO ( R=1.5D )

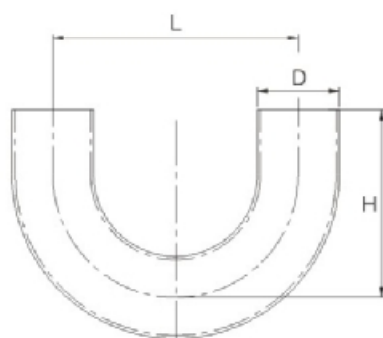


货号代码 Code : F0401A1

SIZE	尺寸			壁厚
	L	H	D	AS/BS/3A
1/2"	通用于BPE标准, 详见BPE 1/2"和3/4" *			
3/4"				
1"	76.2	68.1	25.4	1.65
1 1/4"	95.3	77.6	31.8	1.65
1 1/2"	114.3	87.2	38.1	1.65
2"	152.4	106.2	50.8	1.65
2 1/2"	190.5	125.3	63.5	1.65
3"	228.6	144.3	76.2	1.65
4"	304.8	182.4	101.6	2.10
5"	381.0	230.5	127.0	2.10
6"	457.2	268.6	152.4	2.80

### 长型-180° 对焊弯头- ( DIN推荐系列 ) Long 180deg. Weld elbow (DIN Recommended series)

适用于Applied to: DIN 11852



货号代码 Code : F0201A1

SIZE	长度		推荐系列	第二系列	壁厚
	L	H	D	D	DIN 11852
DN10	DN10和DN15根据BPE1/2"和3/4" "				
DN15					
DN20	80	65	22.0	23.0	1.5
DN25	100	90	28.0	29.0	1.5
DN32	110	95	34.0	35.0	1.5
DN40	120	100	40.0	41.0	1.5
DN50	140	110	52.0	53.0	1.5
DN65	160	120	70.0	-	2.0
DN80	180	145	85.0	-	2.0
DN100	200	155	104.0	-	2.0



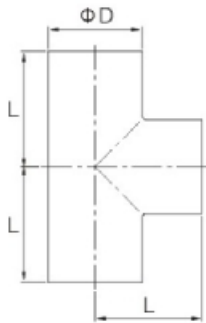
# 三通系列

## Three series

### 短型(中头等长)-对焊三通-(推荐系列) Short (Equal). Weld Tee (Recommended series)

适用于Applied to: 3A

货号代码Code : F040121

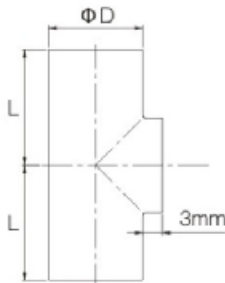


SIZE	尺寸	
	L	D
1	28.5	25.4
1.25	35.0	31.8
1.5	42.0	38.1
2	52.3	50.8
2.5	59.5	63.5
3	65.9	76.2
4	87.4	101.6

### 短型(中头短)-对焊三通-(推荐系列) Short (Medium short). Weld Tee (Recommended series)

适用于Applied to: 3A

货号代码Code : F040122



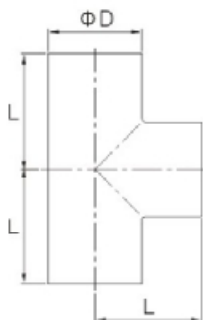
SIZE	尺寸		
	L1	L	D
1	3	28.5	25.4
1.25		35.0	31.8
1.5		42.0	38.1
2		52.3	50.8
2.5		59.5	63.5
3		65.9	76.2
4		87.4	101.6

### 短型(中头等长)-对焊三通(选型系列) Short (Equal). Weld Tee (Selection series)

执行标准Executive standard: AS1528 适用于Applied to: AS1528, BS4825, SMS-DS(L=1.5D)

AS货号代码Code : F010121

SMS货号代码Code : F030121



SIZE	尺寸	
	L	D
1	38.1	25.4
1.25	通用3A长型(等同于3A长型)	
1.5		
2		
2.5	95.3	63.5
3	114.3	76.2
4	152.4	101.6
5	190.5	127
6	228.6	152.4

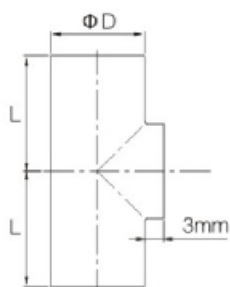
# 三通系列

## Three series

### 短型(中头短)-对焊三通(选型系列) Short (Medium short). Weld Tee (Selection series)

执行标准Executive standard: AS1528; 适用于Applied to: AS1528, BS4825,SMS-DS(L=1.5D)

AS货号代码Code : F010122  
SMS货号代码Code : F030122

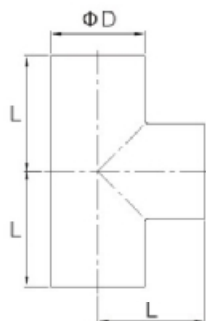


SIZE	尺寸		
	L1	L	G
1	3mm	38.1	25.4
1.25		47.6	31.8
1.5		57.2	38.1
2		76.2	50.8
2.5		95.3	63.5
3		114.3	76.2
4		152.4	101.6
5		190.5	127.0
6	228.6	152.4	

### 短型(中头等长)-对焊三通(选型系列) Short (Equal). Weld Tee (Selection series)

适用于Applied to: ISO/JIS3447

货号代码Code : F050121

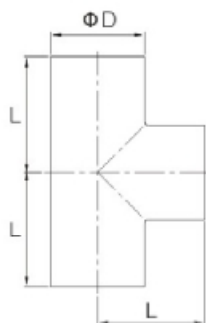


SIZE	尺寸	
	L	D
1	33.5	25.4
1.25	38.0	31.8
1.5	48.5	38.1
2	60.5	50.8
2.5	83.5	63.5
3	88.5	76.2
3.5	103.5	88.9
4	127.0	101.6

### 短型(中头等长)-对焊三通(选型系列) Short (Equal). Weld Tee (Selection series)

适用于Applied to: ISO1127

货号代码Code : F070121

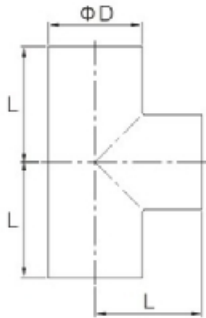


SIZE	尺寸	
	L	D
17.2	27.5	17.2
21.3	28	21.3
26.9	29	26.9
33.7	38	33.7
42.4	48	42.4
45	52.5	45
48.3	57	48.3
57	68	57
60.3	64	60.3
76.1	76	76.1
89	103.5	88.9
108	105	108
114.3	105	114.3
133	135	133
139.7	140	139.7
159	140	159
168.3	170	168.3
219.1	220	219.1

### 长型(中头等长)-对焊三通-(推荐系列) Long (Equal). Weld Tee (Recommended series)

适用于Applied to: 3A

货号代码Code : F040131

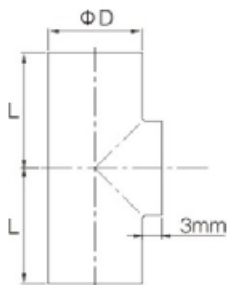


SIZE	尺寸	
	L	D
0.5	49.0	12.7
0.75	49.0	19.1
1	49.0	25.4
1.25	47.6	31.8
1.5	57.2	38.1
2	76.2	50.8
2.5	76.2	63.5
3	82.6	76.2
4	98.4	101.6
5	114.3	127.0
6	127.0	152.4

### 长型(中头短)-对焊三通-(推荐系列) Long (Medium short). Weld Tee (Recommended series)

适用于Applied to: 3A

货号代码Code : F040132

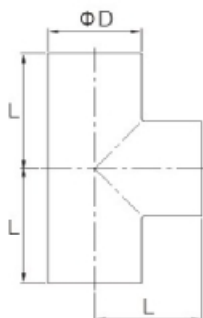


SIZE	尺寸		
	L1	L	D
0.5	3.0	49.0	12.7
0.75		49.0	19.1
1		49.0	25.4
1.25		47.6	31.8
1.5		57.2	38.1
2		76.2	50.8
2.5		76.2	63.5
3		82.6	76.2
4		98.4	101.6
5		114.3	127.0
6		127.0	152.4

### 长型(中头等长)-对焊三通 Long (Equal). Weld Tee

适用于Applied to: BS4825

货号代码Code : F060131



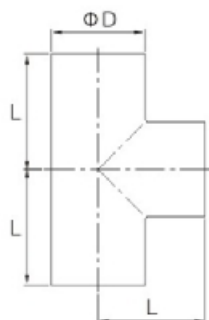
SIZE	尺寸	
	L	D
1	65	25
1.25	75	32
1.5	85	38
2	110	51
2.5	135	64
3	155	76
4	195	102

# 三通系列 Three series

## 长型(中头等长)-对焊三通 Long (Equal). Weld Tee

适用于Applied to: AS1528

货号代码Code : F010131

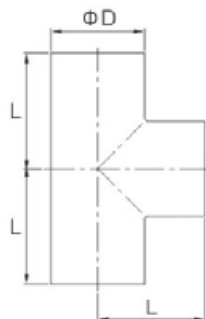


SIZE	尺寸	
	L	D
1	68.1	25.4
1.25	77.7	31.8
1.5	87.2	38.1
2	106.2	50.8
2.5	125.3	63.5
3	144.3	76.2
4	182.4	101.6
5	230.5	127.0
6	268.6	152.4

## 长型(中头等长)-对焊三通 Long (Equal). Weld Tee

适用于Applied to: SMS/DS

货号代码Code : F030131

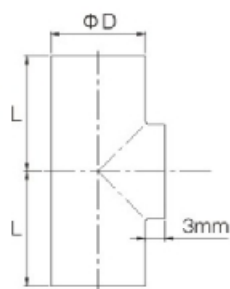


SIZE	尺寸	
	L	D
1"	55	25.0
1 1/4"	64	32.0
1 1/2"	70	38.0
2"	82	51.0
2 1/2"	105	63.5
3"	110	76.0
4"	150	101.6

## 长型(中头短)-对焊三通 Long (Medium short). Weld Tee

适用于Applied to: SMS/DS

货号代码Code : F030132

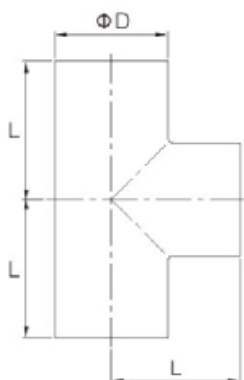


SIZE	尺寸		
	L1	L	D
1"	3	55	25.0
1 1/4"		64	32.0
1 1/2"		70	38.0
2"		82	51.0
2 1/2"		105	63.5
3"		110	76.0
4"		150	101.6

(短型)(中头等长)-对焊三通-(推荐系列) Short (Equal). Weld Tee (Recommended series)

适用于Applied to: DIN11852

货号代码Code : F020121

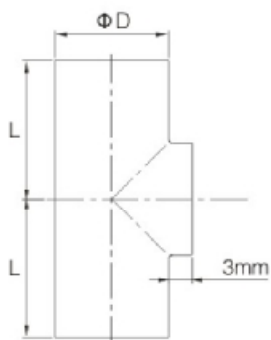


SIZE	长度	推荐系列	第二系列
	L	D	D
DN10	26	/	13
DN15	35	/	19
DN20	40	22	23
DN25	50	28	29
DN32	55	34	35
DN40	60	40	41
DN50	70	52	53
DN65	80	70	/
DN80	90	85	/
DN100	100	104	/
DN125	187.5	129	/
DN150	225	154	/
DN200	300	204	/

长型(中头短)-对焊三通-(推荐系列) Long (Equal). Weld Tee (Recommended series)

适用于Applied to: DIN11852

货号代码Code : F020122



SIZE	长度	推荐系列	第二系列
	L	D	D
DN10	26	/	13
DN15	35	/	19
DN20	40	22	23
DN25	50	28	29
DN32	55	34	35
DN40	60	40	41
DN50	70	52	53
DN65	80	70	/
DN80	90	85	/
DN100	100	104	/
DN125	187.5	129	/
DN150	225	154	/
DN200	300	204	/





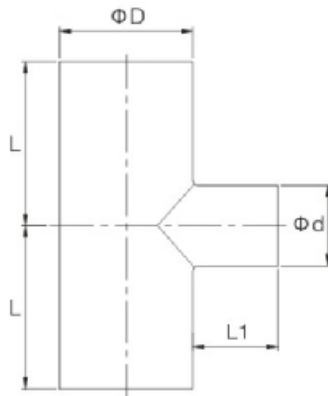
# 三通系列

## Three series

### 短型(中头长)-对焊异径三通-(推荐系列) Short (Equal). Weld reducing Tee (Recommended series)

执行标准Executive standard: 3A; 适用于Applied to: 3A, BS,AS,SMS,DS,ISO

货号代码Code : F040161



#### 注意 Note

ΦD=直通规格 Direct specification

Φd=中间异径规格 Medium reducing specification

L=直通长度 Direct length

L1=中间异径长度 Medium reducing length

#### 中间异径长度 Medium reducing length(L1)

≤ 1.5'=25mm

2'-3'=30mm

4'=40mm

≥ 5'=50mm

#### 壁厚(中间异径规格)Thickness (Medium reducing specification)

**3A , BS,AS**

≤ 3'=1.65mm

4'=2.1mm

5'-6'=2.8mm

#### **SMS/DS/ISO**

≤ 3'=1.65mm

4'=2.1mm

5'-6'=2.8mm

注意: 中间异径壁厚是根据对应的规格壁厚

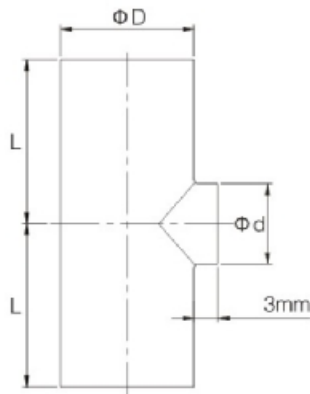
Note: Thickness of Medium reducing according to relative specification

SIZE	尺寸		
	Φd	L	ΦD
1	19	49.0	25.4
1.25	25.4	47.6	31.8
1.5	25.4	57.2	38.1
	31.8		
2	25.4	76.2	50.8
	31.8		
	38.1		
2.5	25.4	76.2	63.5
	31.8		
	38.1		
	50.8		
3	25.4	82.6	76.2
	31.8		
	38.1		
	50.8		
	63.5		
4	25.4	98.4	101.6
	31.8		
	38.1		
	50.8		
	63.5		
	76.2		
5	25.4	114.3	127.0
	31.8		
	38.1		
	50.8		
	63.5		
6	25.4	127.0	152.4
	31.8		
	38.1		
	50.8		
	63.5		
	76.2		
	101.6		

## 短型(中头短)-对焊异径三通-(推荐系列) Short (Equal). Weld reducing Tee (Recommended series)

执行标准Executive standard: 3A; 适用于Applied to: 3A, BS,AS,SMS,DS,ISO

货号代码Code : F040162



### 标注说明 Note

ΦD=直通规格 Direct specification

Φd=中间异径规格 Medium reducing specification

3=中间长度 Medium length 3mm

L=直通长度 Direct length

### 壁厚(中间异径规格)

#### Thickness(Medium reducing specification)

DN10-DN50=1.5mm

DN65-DN200=2mm

注意: 中间异径壁厚是根据对应的规格壁厚

Note: Thickness of Medium reducing according to relative specification

SIZE	尺寸		
	Φd	L	ΦD
1	19	49.0	25.4
1.25	25.4	47.6	31.8
1.5	25.4	57.2	38.1
	31.8		
2	25.4	76.2	50.8
	31.8		
	38.1		
2.5	25.4	76.2	63.5
	31.8		
	38.1		
	50.8		
3	25.4	82.6	76.2
	31.8		
	38.1		
	50.8		
	63.5		
4	25.4	98.4	101.6
	31.8		
	38.1		
	50.8		
	63.5		
	76.2		
5	25.4	114.3	127.0
	31.8		
	38.1		
	50.8		
	63.5		
	76.2		
6	25.4	127.0	152.4
	31.8		
	38.1		
	50.8		
	63.5		
	76.2		
	101.6		

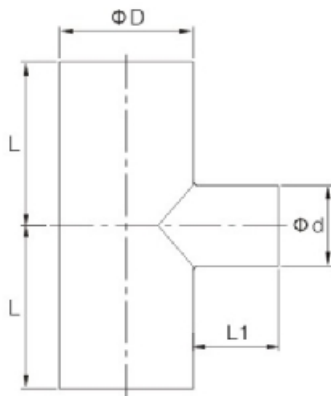
# 三通系列

## Three series

### 对焊异径三通(中头长)-(推荐系列) Weld reducing Tee (Equal).(Recommended series)

适用于Applied to: DIN11852

货号代码Code : F020161



#### 注意 Note

ΦD=直通规格 Direct specification

Φd=中间异径规格 Medium reducing specification

L=直通长度 Direct length

L1=中间异径长度 Medium reducing length

#### 中间异径长度 Medium reducing length(L1)

≤DN32=25mm

DN40-65=30mm

DN80-100=40mm

≥DN125=50mm

#### 壁厚(中间异径规格)

#### Thickness(Medium reducing specification)

DN10-DN50=1.5mm

DN65-DN200=2mm

注意: 中间异径壁厚是根据对应的规格壁厚

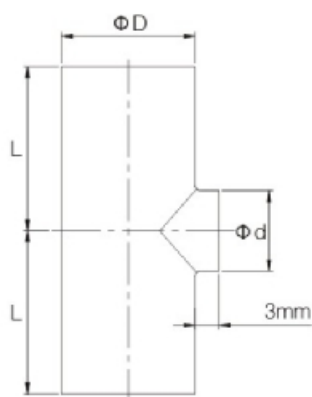
Note: Thickness of Medium reducing according to relative specification

SIZE	尺寸		
	Φd	L	ΦD
DN15	13	35	19
DN20	13	40	22
	19		
DN25	13	50	28
	19		
DN32	13	55	34
	19		
	23		
	28		
DN40	13	60	40
	19		
	22		
	28		
DN50	22	70	52
	28		
	34		
	40		
DN65	28	80	70
	34		
	40		
	52		
DN80	34	90	85
	40		
	52		
	70		
DN100	40	100	104
	52		
	70		
	85		
DN125	52	187.5	129
	70		
	85		
	104		
DN150	52	225	154
	70		
	85		
	104		
DN200	129	300	204
	154		
	85		
	104		

## 对焊异径三通(中头短)-(推荐系列) Weld reducing Tee (Medium short).(Recommended series)

适用于Applied to: DIN11852

货号代码Code : F020162



### 注意 Note

ΦD=直通规格 Direct specification

Φd=中间异径规格 Medium reducing specification

3=中间长度 Medium length 3mm

L=直通长度 Direct length

### 壁厚(中间异径规格)

#### Thickness(Medium reducing specification)

DN10-DN50=1.5mm

DN65-DN200=2mm

注意：中间异径壁厚是根据对应的规格壁厚

Note: Thickness of Medium reducing according to relative specification

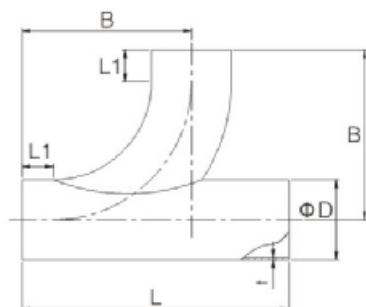
SIZE	尺寸		
	Φd	L	ΦD
DN15	13	35	19
DN20	13	40	22
	19		
DN25	13	50	28
	19		
DN32	13	55	34
	19		
	23		
	28		
DN40	13	60	40
	19		
	22		
	28		
DN50	22	70	52
	28		
	34		
	40		
DN65	28	80	70
	34		
	40		
	52		
DN80	34	90	85
	40		
	52		
	70		
DN100	40	100	104
	52		
	70		
	85		
DN125	52	187.5	129
	70		
	85		
	104		
DN150	52	225	154
	70		
	85		
	104		
DN200	129	300	204
	154		
	85		
	104		

# 三通系列 Three series

## R型-弯头三通-(推荐系列) R type -elbow Tee

执行标准Executive standard: 3A; 适用于Applied to: AS, BS, 3A,SMS/DS、ISO

货号代码Code : F0401A7

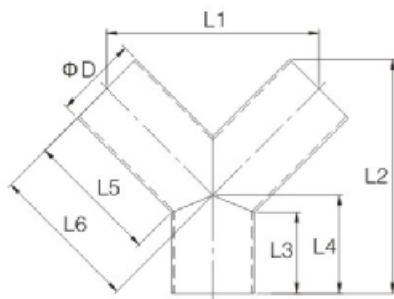


SIZE	尺寸			
	L	L1	B	D
1	120.0	30.0	81	25.4
1.25	135.0		90	31.8
1.5	150.0		100	38.1
2	180.0		118	50.8
2.5	240.0		152	63.5
3	270.0		170	76.2
4	340.0	40.0	209	101.6
5	440.0		270	127.0
6	500.0		310	152.4

## Y型-三通-(推荐系列) Y type - Tee

执行标准Executive standard: 3A; 适用于Applied to: AS, BS, 3A,SMS/DS、ISO

货号代码Code : F0401A5

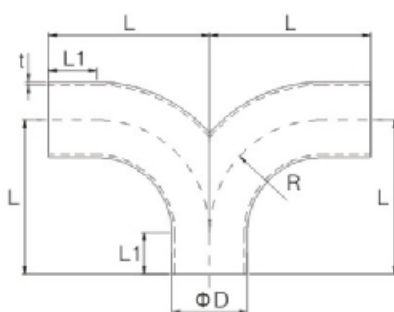


SIZE	尺寸					
	ΦD	L1	L2	L3	L4	L5
25.4	88	72	13.8	19.0	57	62.6
31.8	110	90	17.2	23.8	71.2	77.8
38.1	132	108	20.6	28.5	85.45	93.3
50.8	176	143	26.5	37.0	113.9	124.5
63.5	220	179	33.4	46.5	142.4	155.6
76.2	264	215	40.3	56.1	170.9	186.7
101.6	352	287	54.0	75.1	227.9	248.9
127.0	359	440	189.3	215.6	227.5	253.9
152.4	430	529	228.6	260.1	272.5	304.1

## T型弯头-三通-(推荐系列) T type - Tee

执行标准Executive standard: 3A; 适用于Applied to: AS, BS, 3A,SMS/DS、ISO

货号代码Code : F0401A9



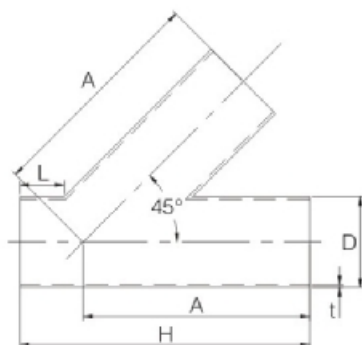
SIZE	尺寸		
	L	L1	R
25.4	65	26.9	38.1
38.1	85	27.8	57.2
50.8	110	33.8	76.2
63.5	135	39.7	95.3
76.2	155	40.7	114.3
101.6	195	42.6	152.4



### 45° -Y型-三通 -(推荐系列) 45 -Y -type - Tee

执行标准Executive standard: 3A 适用于Applied to: AS、BS、3A,SMS/DS、ISO

货号代码Code : F0401B1

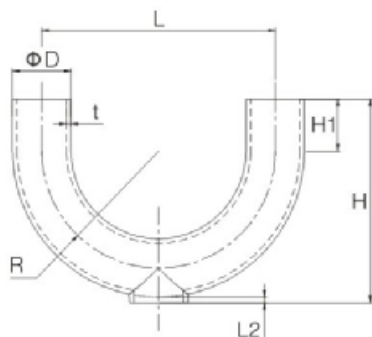


SIZE	内外抛光		尺寸				AS/BS /3A	DS/SMS /ISO
			总长	高度	直端长度	Φ D		
	304	316L	H	A	L		壁厚	壁厚
1"	NO	NO	162.0	127.0	29.7	25.4	1.65	1.5
1.5"	NO	NO	195.2	157.2	30.1	38.1	1.65	1.5
2"	NO	NO	220.5	180.0	30.0	50.8	1.65	1.5
2.5"	NO	NO	264.0	216.0	34.8	63.5	1.65	2
3"	NO	NO	266.0	216.0	34.2	76.2	1.65	2
4"	NO	NO	335.5	273.0	39.5	101.6	2.1	2

### U型-三通-(推荐系列) U type - Tee

执行标准Executive standard: 3A; 适用于Applied to: AS、BS、3A,SMS/DS、ISO

货号代码Code : F0401A3

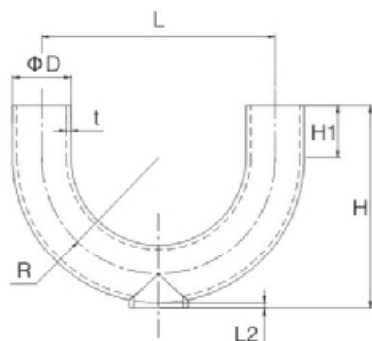


SIZE	尺寸				
	总长	高度	直端长度	中头长度	R
Φ D	L	H	H1	L2	
25.4	76	84	30.0	3	38.1
31.8	95	97	30.0		47.6
38.1	114	109	30.0		57.2
50.8	152	135	30.0		76.2
63.5	191	160	30.0		95.3
76.2	229	185	30.0		114.3
101.6	305	236	30.0		152.4

### U型-三通-(推荐系列) U type - Tee

适用于Applied to: DIN11852

货号代码Code : F0201A3



SIZE	尺寸					
	总长	高度	直端长度	中头长度	R	Φ D
	L	H	H1	L2		
DN25	100	107	40.0	3	50	28
DN32	110	115	40.0		55	34
DN40	120	123	40.0		60	40
DN50	140	139	40.0		70	52
DN65	160	158	40.0		80	70
DN80	180	191	55.0		90	85
DN100	200	210	55.0		100	104

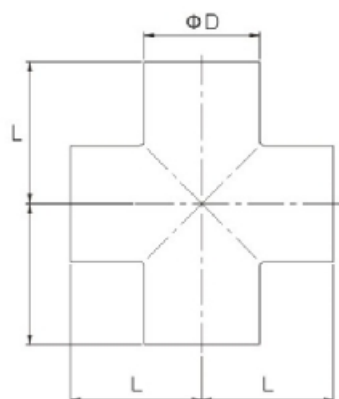
# 四通系列

## Stone series

### 长型(四头等长)-对焊四通-(推荐系列) Long (Equal) Cross (Recommended series)

执行标准Executive standard: 3A; 适用于Applied for: 3A, BS,AS,SMS,DS,ISO

货号代码Code : F040151

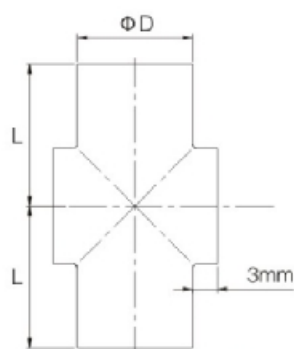


SIZE	尺寸	
	L	D
0.5	49.0	12.7
0.75	49.0	19.1
1	49.0	25.4
1.25	47.6	31.8
1.5	57.2	38.1
2	76.2	50.8
2.5	76.2	63.5
3	82.6	76.2
3.5	103.5	88.9
4	98.4	101.6
5	114.3	127.0
6	127.0	152.4

### 长型(中头短)-对焊等径四通-(推荐系列) Long (Medium short) Cross (Recommended series)

执行标准Executive standard: 3A; 适用于Applied for: 3A, BS,AS,SMS,DS,ISO

货号代码Code : F040152



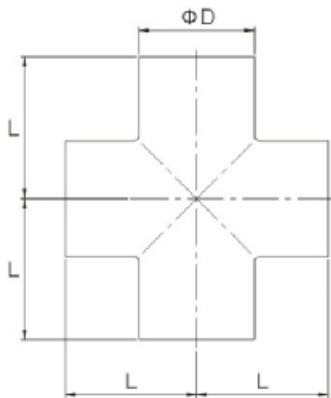
中头直端长度

SIZE	尺寸		
	中头直端长度	L	D
0.5	3.0	49.0	12.7
0.75		49.0	19.1
1		49.0	25.4
1.25		47.6	31.8
1.5		57.2	38.1
2		76.2	50.8
2.5		76.2	63.5
3		82.6	76.2
3.5		103.5	88.9
4		98.4	101.6
5		114.3	127.0
6		127.0	152.4

(四头等长)对焊四通-(推荐系列) (Equal Cross (Recommended series))

适用于Applied for: DIN11852

货号代码Code : F020141

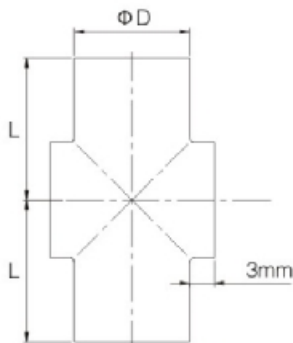


SIZE	长度	推荐系列	第二系列
	L	D	D
DN10	26	13	13
DN15	35	19	19
DN20	40	22	23
DN25	50	28	29
DN32	55	34	35
DN40	60	40	41
DN50	70	52	53
DN65	80	70	-
DN80	90	85	-
DN100	100	104	-
DN125	187.5	129	-
DN150	225	154	-
DN200	300	204	-

(短型)(中头短)-对焊四通-(推荐系列) Short(Medium short) Cross (Recommended series)

适用于Applied for: DIN11852

货号代码Code : F020142



中头直  
端长度

SIZE	长度	推荐系列	第二系列
	L	D	D
DN10	26	13	13
DN15	35	19	19
DN20	40	22	23
DN25	50	28	29
DN32	55	34	35
DN40	60	40	41
DN50	70	52	53
DN65	80	70	-
DN80	90	85	-
DN100	100	104	-
DN125	187.5	129	-
DN150	225	154	-
DN200	300	204	-

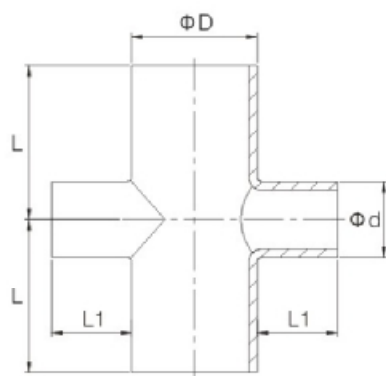
# 四通系列

## Stone series

### 长型(中头长)-对焊异径四通-(推荐系列) Long (Equal) Cross (Recommended series)

执行标准Executive standard: 3A; 适用于Applied for: 3A, BS,AS,SMS,DS,ISO

货号代码Code : F040171



#### 注意 Note

ΦD=直通规格 Direct specification

Φd=中间异径规格 Medium reducing specification

L=直通长度 Direct length

L1=中间异径长度 Medium reducing length

#### 中间异径长度 Medium reducing length(L1)

≤1.5'=25mm

2"-3'=30mm

4'=40mm

≥5'=50mm

#### 壁厚(中间异径规格)

Thickness (Medium reducing specification)

3A , BS,AS

≤3'=1.65mm

4'=2.1mm

5"-6"=2.8mm

#### SMS/DS/ISO

≤3'=1.65mm

4'=2.1mm

5"-6"=2.8mm

注意: 中间异径壁厚是根据对应的规格壁厚

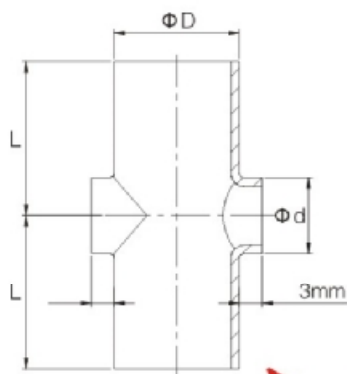
Note: Thickness of Medium reducing according to relative specification

SIZE	尺寸		
	Φd	L	ΦD
1	19	49.1	25.4
1.25	25.4	47.6	31.8
1.5	25.4	57.2	38.1
	31.8		
2	25.4	76.2	50.8
	31.8		
	38.1		
2.5	25.4	76.2	63.5
	31.8		
	38.1		
	50.8		
3	25.4	82.6	76.2
	31.8		
	38.1		
	50.8		
	63.5		
4	25.4	98.4	101.6
	31.8		
	38.1		
	50.8		
	63.5		
	76.2		
5	25.4	114.3	127.0
	31.8		
	38.1		
	50.8		
	63.5		
	76.2		
6	25.4	127.0	152.4
	31.8		
	38.1		
	50.8		
	63.5		
	76.2		
	101.6		

## 长型(中头短)-对焊异径四通-(推荐系列) Long (Medium short) Cross (Recommended series)

执行标准Executive standard: 3A; 适用于Applied for: 3A, BS,AS,SMS,DS,ISO

货号代码Code : F040172



中头直端长度

### 注意 Note

ΦD=直通规格 Direct specification

Φd=中间异径规格 Medium reducing specification

3=中间长度 Direct length 3mm

L=直通长度 Direct length

### 壁厚(中间异径规格)

#### Thickness (Medium reducing specification)

#### 3A , BS,AS

≤3"=1.65mm

4"=2.1mm

5"-6"=2.8mm

#### SMS/DS/ISO

≤3"=1.65mm

4"=2.1mm

5"-6"=2.8mm

注意: 中间异径壁厚是根据对应的规格壁厚

Note: Thickness of Medium reducing according to relative specification

SIZE	尺寸		
	Φd	L	ΦD
1	19	49.1	25.4
1.25	25.4	47.6	31.8
1.5	25.4	57.2	38.1
	31.8		
2	25.4	76.2	50.8
	31.8		
	38.1		
2.5	25.4	76.2	63.5
	31.8		
	38.1		
	50.8		
3	25.4	82.6	76.2
	31.8		
	38.1		
	50.8		
	63.5		
4	25.4	98.4	101.6
	31.8		
	38.1		
	50.8		
	63.5		
	76.2		
5	25.4	114.3	127.0
	31.8		
	38.1		
	50.8		
	63.5		
	76.2		
6	25.4	127.0	152.4
	31.8		
	38.1		
	50.8		
	63.5		
	76.2		
	101.6		



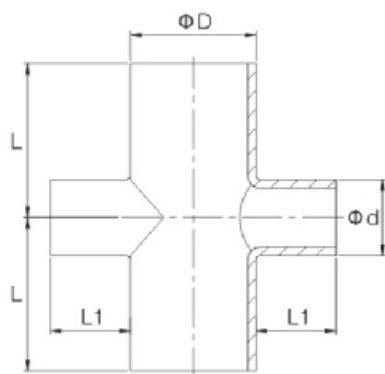
# 四通系列

## Stone series

### 对焊异径四通(中头长)-(推荐系列) Weld Cross (Equal)(Recommended series)

适用于Applied for: DIN11852

货号代码Code : F020171



#### 注意

ΦD=直通规格 Direct specification

Φd=中间异径规格 Medium reducing specification

L=直通长度 Direct length

L1=中间异径长度 Medium reducing length

#### 中间异径长度 Medium reducing length(L1)

≤ DN32=25mm

DN40-65=30mm

DN80-100=40mm

≥ DN125=50mm

#### 壁厚(中间异径规格)

#### Thickness(Medium reducing specification)

DN10-DN50=1.5mm

DN65-DN200=2mm

注意: 中间异径壁厚是根据对应的规格壁厚

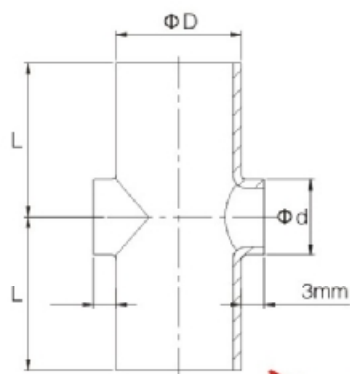
Note: Thickness of Medium reducing according to relative specification

SIZE	尺寸		
	Φd	L	ΦD
DN15	13	35	19
DN20	13	40	22
	19		
DN25	13	50	28
	19		
DN32	13	55	34
	19		
	23		
DN40	26	60	40
	13		
	19		
	22		
DN50	28	70	52
	34		
	40		
	22		
DN65	28	80	70
	34		
	40		
DN80	52	90	85
	34		
	40		
	70		
DN100	40	100	104
	52		
	70		
	85		
DN125	52	187.5	129
	70		
	85		
	104		
DN150	52	225	154
	70		
	85		
	104		
DN200	129	300	204
	85		
	104		
	154		

## 对焊异径四通(中头短)-(推荐系列) Weld Cross (Medium short)(Recommended series)

适用于Applied for: DIN11852

货号代码Code : F020172



中头直端长度

### 注意 Note

ΦD=直通规格 Direct specification

Φd=中间异径规格 Medium reducing specification

3=中间长度 Medium length 3mm

L=直通长度 Direct length

### 壁厚(中间异径规格)

#### Thickness(Medium reducing specification)

DN10-DN50=1.5mm

DN65-DN200=2mm

注意: 中间异径壁厚是根据对应的规格壁厚

Note: Thickness of Medium reducing according to relative specification

SIZE	尺寸		
	Φd	L	ΦD
DN15	13	35	19
DN20	13	40	22
	19		
DN25	13	50	28
	19		
DN32	13	55	34
	19		
	23		
DN40	13	60	40
	19		
	22		
	28		
DN50	22	70	52
	28		
	34		
	40		
DN65	28	80	70
	34		
	40		
	52		
DN80	34	90	85
	40		
	52		
DN100	70	100	104
	40		
	52		
	70		
DN125	85	187.5	129
	52		
	70		
	104		
DN150	104	225	154
	52		
	70		
	129		
DN200	129	300	204
	85		
	104		
	154		

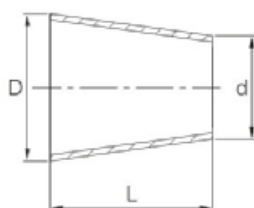
# 变径系列

## Reducer series

### 短型-对焊-同心大小头-(推荐系列)

#### Short/welded/concentric reducer(recommended)

执行标准: 3A 适用于: AS1528, BS4825, 3A,SMS-DS



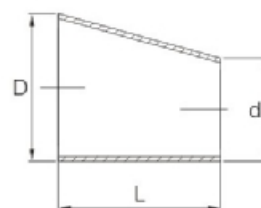
货号代码: F040181

SIZE		尺寸		
大头	小头	L	D	d
0.75	0.5	19.1	19.1	12.7
1.0	0.5	38.1	25.4	12.7
1.0	0.75	19.1	25.4	19.1
1.25	0.5	38.1	31.8	12.7
1.25	0.75	38.1	31.8	19.1
1.25	1.0	19.1	31.8	25.4
1.5	0.5	50.8	38.1	12.7
1.5	0.75	38.1	38.1	19.1
1.5	1.0	38.1	38.1	25.4
1.5	1.25	19.1	38.1	31.8
2.0	0.75	63.5	50.8	19.1
2.0	1.0	50.8	50.8	25.4
2.0	1.25	38.1	50.8	31.8
2.0	1.5	38.1	50.8	38.1
2.5	1.0	76.2	63.5	25.4
2.5	1.25	63.5	63.5	31.8
2.5	1.5	50.8	63.5	38.1
2.5	2.0	38.1	63.5	50.8
3.0	1.0	101.6	76.2	25.4
3.0	1.25	88.9	76.2	31.8
3.0	1.5	76.2	76.2	38.1
3.0	2.0	50.8	76.2	50.8
3.0	2.5	38.1	76.2	63.5
4.0	1.0	152.4	101.6	25.4
4.0	1.25	139.7	101.6	31.8
4.0	1.5	127.0	101.6	38.1
4.0	2.0	101.6	101.6	50.8
4.0	2.5	76.2	101.6	63.5
4.0	3.0	50.8	101.6	76.2
6.0	3.0	152.4	152.4	76.2
6.0	4.0	101.6	152.4	101.6

### 短型-对焊-偏心大小头-(推荐系列)

#### Short/welded/eccentric reducer(recommended)

执行标准: 3A 适用于: AS1528, BS4825, 3A,SMS-DS

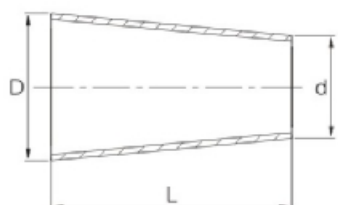


货号代码: F040191

SIZE		尺寸		
大头	小头	L	D	d
0.75	0.5	19.1	19.1	12.7
1.0	0.5	38.1	25.4	12.7
1.0	0.75	19.1	25.4	19.1
1.25	0.5	38.1	31.8	12.7
1.25	0.75	38.1	31.8	19.1
1.25	1.0	19.1	31.8	25.4
1.5	0.5	50.8	38.1	12.7
1.5	0.75	38.1	38.1	19.1
1.5	1.0	38.1	38.1	25.4
1.5	1.25	19.1	38.1	31.8
2.0	0.75	63.5	50.8	19.1
2.0	1.0	50.8	50.8	25.4
2.0	1.25	38.1	50.8	31.8
2.0	1.5	38.1	50.8	38.1
2.5	1.0	76.2	63.5	25.4
2.5	1.25	63.5	63.5	31.8
2.5	1.5	50.8	63.5	38.1
2.5	2.0	38.1	63.5	50.8
3.0	1.0	101.6	76.2	25.4
3.0	1.25	88.9	76.2	31.8
3.0	1.5	76.2	76.2	38.1
3.0	2.0	50.8	76.2	50.8
3.0	2.5	38.1	76.2	63.5
4.0	1.0	152.4	101.6	25.4
4.0	1.25	139.7	101.6	31.8
4.0	1.5	127.0	101.6	38.1
4.0	2.0	101.6	101.6	50.8
4.0	2.5	76.2	101.6	63.5
4.0	3.0	50.8	101.6	76.2
6.0	3.0	152.4	152.4	76.2
6.0	4.0	101.6	152.4	101.6

长型-对焊-同心大小头-(选型系列)  
Long/welded/concentric reducer(selected)

执行标准: 3A 适用于: AS1528, BS4825, 3A,SMS-DS

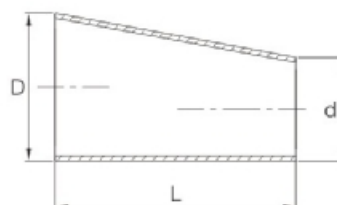


货号代码: F040183

SIZE		尺寸		
大头	小头	L	D	d
0.75	0.5	25.4	19.1	12.7
1.0	0.5	50.8	25.4	12.7
1.0	0.75	25.4	25.4	19.1
1.5	0.5	101.6	38.1	12.7
1.5	0.75	76.2	38.1	19.1
1.5	1.0	50.8	38.1	25.4
2.0	0.75	127.0	50.8	19.1
2.0	1.0	101.6	50.8	25.4
2.0	1.5	50.8	50.8	38.1
2.5	1.0	152.4	63.5	25.4
2.5	1.5	101.6	63.5	38.1
2.5	2.0	50.8	63.5	50.8
3.0	1.0	203.2	76.2	25.4
3.0	1.5	152.4	76.2	38.1
3.0	2.0	101.6	76.2	50.8
3.0	2.5	50.8	76.2	63.5
4.0	1.0	304.8	101.6	25.4
4.0	1.5	254.0	101.6	38.1
4.0	2.0	203.2	101.6	50.8
4.0	2.5	152.4	101.6	63.5
4.0	3.0	101.6	101.6	76.2
6.0	3.0	304.8	152.4	76.2
6.0	4.0	203.2	152.4	101.6

长型-对焊-偏心大小头-(选型系列)  
Long/welded/eccentric reducer(selected)

执行标准: 3A 适用于: AS1528, BS4825, 3A,SMS-DS



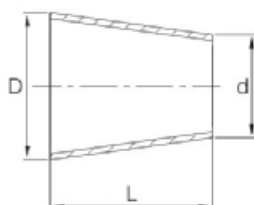
货号代码: F040193

SIZE		尺寸		
大头	小头	L	D	d
0.75	0.5	25.4	19.1	12.7
1.0	0.5	50.8	25.4	12.7
1.0	0.75	25.4	25.4	19.1
1.5	0.5	101.6	38.1	12.7
1.5	0.75	76.2	38.1	19.1
1.5	1.0	50.8	38.1	25.4
2.0	0.75	127.0	50.8	19.1
2.0	1.0	101.6	50.8	25.4
2.0	1.5	50.8	50.8	38.1
2.5	1.0	152.4	63.5	25.4
2.5	1.5	101.6	63.5	38.1
2.5	2.0	50.8	63.5	50.8
3.0	1.0	203.2	76.2	25.4
3.0	1.5	152.4	76.2	38.1
3.0	2.0	101.6	76.2	50.8
3.0	2.5	50.8	76.2	63.5
4.0	1.0	304.8	101.6	25.4
4.0	1.5	254.0	101.6	38.1
4.0	2.0	203.2	101.6	50.8
4.0	2.5	152.4	101.6	63.5
4.0	3.0	101.6	101.6	76.2
6.0	3.0	304.8	152.4	76.2
6.0	4.0	203.2	152.4	101.6

# 变径系列 Reducer series

对焊-同心大小头-(选型系列)  
Welded/concentric reducer(selected)

适用于: ISO1127

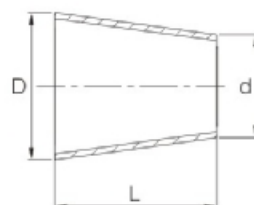


货号代码: F070181

SIZE		尺寸		
大头	小头	L	D	d
21.30	17.2	29.1	21.3	17.2
26.9	17.2	29.1	26.9	17.2
	21.30	16.8	26.9	21.3
33.70	21.30	37.2	33.7	21.3
	26.9	20.4	33.7	26.9
42.4	21.30	42.2	42.4	21.3
	26.9	31.0	42.4	26.9
	33.70	26.1	42.4	33.7
48.3	21.3	54.0	48.3	21.3
	26.9	42.8	48.3	26.9
	33.70	29.2	48.3	33.7
	42.4	17.7	48.3	42.4
57.0	45.0	36.0	57.0	45.0
60.3	21.3	78.0	60.3	21.3
	26.9	66.8	60.3	26.9
	33.70	53.2	60.3	33.7
	42.4	35.8	60.3	42.4
76.2	48.30	36.0	60.3	48.3
	21.3	109.6	76.2	21.3
	26.9	98.4	76.2	26.9
	33.70	84.8	76.2	33.7
	42.4	67.4	76.2	42.4
88.9	48.30	55.6	76.2	48.3
	60.3	31.6	76.2	60.3
	21.3	135.2	88.9	21.3
	26.9	124.0	88.9	26.9
	33.70	110.4	88.9	33.7
108.0	42.4	93.0	88.9	42.4
	60.30	57.2	88.9	60.3
	76.2	38.4	88.9	76.2
	76.2	63.8	108.0	76.2
	88.9	38.2	108.0	88.9
114.3	33.70	161.3	114.3	33.7
	42.4	143.8	114.3	42.4
	48.30	132.0	114.3	48.3
	60.3	108.0	114.3	60.3
	76.2	76.4	114.3	76.2
133.0	88.9	50.8	114.3	88.9
	60.3	158.8	133.0	60.3
	76.2	127.2	133.0	76.2
139.7	88.9	101.6	133.0	88.9
	114.3	50.8	139.7	114.3
	108.0	102.0	159.0	108.0
159.0	133.0	52.0	159.0	133.0
	76.2	184.4	168.3	76.2
	88.9	158.8	168.3	88.9
168.3	114.3	108.0	168.3	114.3
	139.7	57.2	168.3	139.7
	88.9	260.4	219.1	88.9
219.1	114.3	209.6	219.1	114.3
	139.7	158.8	219.1	139.7
	168.3	101.6	219.1	168.3

对焊-同心大小头-(推荐系列)  
Welded/concentric reducer(recommended)

适用于: DIN11852



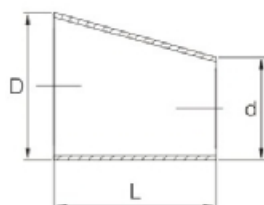
货号代码: F020181

SIZE		尺寸		
大头	小头	L	D	d
DN15	DN10	11.0	19.0	13.0
DN20	DN10	18.0	22.0	13.0
	DN15	7.0	22.0	19.0
DN25	DN10	29.5	28.0	13.0
	DN15	18.0	28.0	19.0
	DN20	11.0	28.0	22.0
DN32	DN15	29.5	34.0	19.0
	DN20	22.0	34.0	22.0
	DN25	11.0	34.0	28.0
DN40	DN15	40.5	40.0	19.0
	DN20	33.0	40.0	22.0
	DN25	22.0	40.0	28.0
	DN32	11.0	40.0	34.0
DN50	DN25	44.0	52.0	28.0
	DN32	33.0	52.0	34.0
	DN40	22.0	52.0	40.0
DN65	DN25	73.0	70.0	28.0
	DN32	62.0	70.0	34.0
	DN40	51.0	70.0	40.0
	DN50	29.0	70.0	52.0
DN80	DN25	101.0	85.0	28.0
	DN32	90.0	85.0	34.0
	DN40	79.5	85.0	40.0
	DN50	56.0	85.0	52.0
	DN65	27.0	85.0	70.0
	DN100	DN25	134.5	104.0
DN32		123.5	104.0	34.0
DN40		113.0	104.0	40.0
DN50		91.5	104.0	52.0
DN65		61.0	104.0	70.0
DN125	DN80	34.0	104.0	85.0
	DN25	180.0	129.0	28.0
	DN32	169.5	129.0	34.0
	DN40	158.5	129.0	40.0
	DN50	137.0	129.0	52.0
	DN65	106.5	129.0	70.0
DN150	DN80	79.0	129.0	85.0
	DN100	45.0	129.0	104.0
	DN65	129.0	154.0	70.0
	DN80	93.0	154.0	85.0
DN200	DN100	90.0	154.0	104.0
	DN125	45.0	154.0	129.0
	DN100	134.0	204.0	104.0
	DN125	107.5	204.0	129.0
DN150	90.0	204.0	154.0	



对焊-偏心大小头-(推荐系列)  
Welded/eccentric reducer(recommended)

适用于: DIN11852



货号代码: F020191

SIZE		尺寸		
大头	小头	L	D	d
DN15	DN10	16.5	19.0	13.0
DN20	DN10	27.5	22.0	13.0
	DN15	11.0	22.0	19.0
DN25	DN15	27.5	28.0	19.0
	DN20	16.5	28.0	22.0
DN32	DN20	33.0	34.0	22.0
	DN25	16.5	34.0	28.0
DN40	DN25	33.0	40.0	28.0
	DN32	16.5	40.0	34.0
DN50	DN25	66.0	52.0	28.0
	DN32	49.5	52.0	34.0
	DN40	33.0	52.0	40.0
DN65	DN40	75.0	70.0	40.0
	DN50	44.0	70.0	52.0
DN80	DN50	88.0	85.0	52.0
	DN65	41.2	85.0	70.0
DN100	DN65	94.0	104.0	70.0
	DN80	52.5	104.0	85.0
DN125	DN80	121.0	129.0	85.0
	DN100	68.5	129.0	104.0
DN150	DN100	137.0	154.0	104.0
	DN125	68.5	154.0	129.0



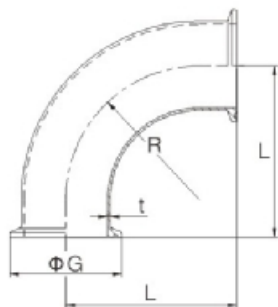
# 卡箍管件

## Clamped pipe fittings

### 90° 卡箍弯头-(推荐系列) 90° clamped elbow (recommended)

执行标准Executive standard: 3A; 适用于Applied for: AS1528, BS4825, 3A,SMS-DS(R=1.5D)

3A货号代码Code : F040103

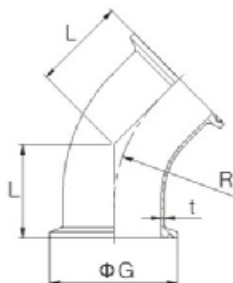


SIZE	尺寸		
	R	L	G
0.5	19.1	31.8	25.4
0.75	28.6	41.4	25.4
0.5	19.1	47.7	50.5
0.75	28.6	57.2	50.5
1.0	38.1	50.8	50.5
1.25	47.6	60.3	50.5
1.5	57.2	69.9	50.5
2.0	76.2	88.9	64.0
2.5	95.3	108.0	77.5
3.0	114.3	127.0	91.0
4.0	152.4	168.2	119.0
5.0	190.5	212	145.0
5.0	190.5	212	155.0
6.0	228.6	250	167.0
6.0	228.6	250	183.0

### 45° 卡箍弯头-(推荐系列) 45° clamped elbow (recommended)

执行标准Executive standard: 3A; 适用于Applied for: AS1528, BS4825, 3A,SMS-DS(R=1.5D)

3A货号代码Code : F040113

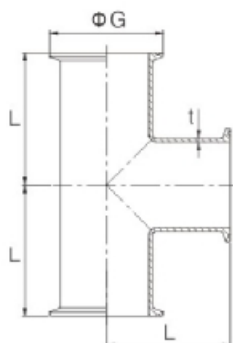


SIZE	尺寸		
	R	L	G
0.5	19.1	20.6	25.4
0.75	28.6	24.5	25.4
0.5	19.1	36.5	50.5
0.75	28.6	40.4	50.5
1.0	38.1	28.5	50.5
1.25	47.6	32.5	50.5
1.5	57.2	36.4	50.5
2.0	76.2	44.5	64.0
2.5	95.3	52.3	77.5
3.0	114.3	60.2	91.0
4.0	152.4	79.0	119.0
5.0	190.5	100.4	145.0
5.0	190.5	100.4	155.0
6.0	228.6	116.2	167.0
6.0	228.6	116.2	183.0

### 长型卡箍三通(中头等长)-(推荐系列) Long clamped tee (short middle port)/(recommended)

执行标准Executive standard: 3A; 适用于Applied for: AS1528, BS4825, 3A,SMS-DS(R=1.5D)

货号代码Code : F040133

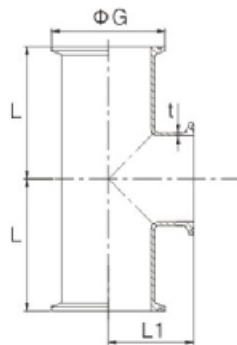


SIZE	尺寸	
	L	G
0.5	61.7	25.4
0.75	61.7	25.4
0.5	61.7	50.5
0.75	61.7	50.5
1.0	61.7	50.5
1.25	60.3	50.5
1.5	69.9	50.5
2.0	88.9	64.0
2.5	88.9	77.5
3.0	95.3	91.0
4.0	114.2	119.0
5.0	135.8	145.0
5.0	135.8	155.0
6.0	148.5	167.0
6.0	148.5	183.0

### 长型卡箍三通(中头短)-(推荐系列) Long clamped tee (equilong middle port)/(recommended)

执行标准Executive standard: 3A; 适用于Applied for: AS1528, BS4825, 3A,SMS-DS(R=1.5D)

货号代码Code : F040134

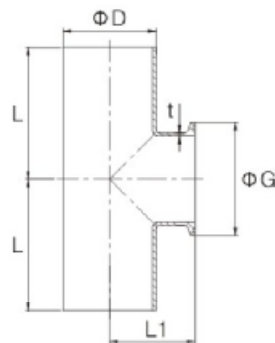


SIZE	尺寸		
	L	L1	G
0.5	61.7	22.1	25.4
0.75	61.7	25.2	25.4
0.5	61.7	22.1	50.5
0.75	61.7	25.2	50.5
1.0	61.7	28.4	50.5
1.25	60.4	31.6	50.5
1.5	69.9	34.8	50.5
2.0	88.9	41.1	64.0
2.5	88.9	47.5	77.5
3.0	95.3	53.8	91.0
4.0	114.2	69.6	119.0
5.0	135.8	88.0	145.0
5.0	135.8	88.0	155.0
6.0	148.5	100.7	167.0
6.0	148.5	100.7	183.0

### 两头对焊-中头卡箍(中头短)-三通-(推荐系列) Welded tee (short clamped middle port)/(recommended)

执行标准Executive standard: 3A; 适用于Applied for: AS1528, BS4825, 3A,SMS-DS

货号代码Code : F040136



SIZE	尺寸		
	L	L1	G
0.5	49.0	22.1	25.4
0.75	49.0	25.2	25.4
0.5	49.0	22.1	50.5
0.75	49.0	25.2	50.5
1.0	49.0	28.4	50.5
1.25	47.7	31.6	50.5
1.5	57.2	34.8	50.5
2.0	76.2	41.1	64.0
2.5	76.2	47.5	77.5
3.0	82.6	53.8	91.0
4.0	98.4	69.6	119.0
5.0	114.3	88	145.0
5.0	114.3	88	155.0
6.0	127.0	100.7	167.0
6.0	127.0	100.7	183.0



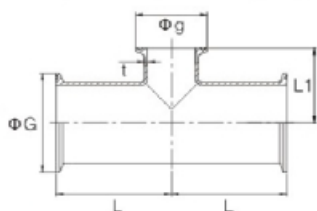


# 卡箍管件

## Clamped pipe fittings

### 异径卡箍三通(中头短) Reducing clamped tee (short middle port)

执行标准Executive standard: 3A;  
适用于Applied for: AS1528, BS4825, 3A,SMS-DS

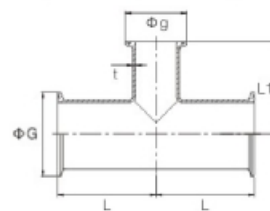


货号代码Code : F040164

SIZE		尺寸			
直通	异径通	直通长度	异径长度	直通卡盘	异径卡盘
		L	L1	G	g
25.4	19	61.8	28.4	50.5	50.5
31.8	25.4	60.3	31.6	50.5	50.5
38.1	25.4	69.9	34.8	50.5	50.5
	31.8	69.9	34.8	50.5	50.5
50.8	25.4	88.9	41.1	64	50.5
	31.8	88.9	41.1	64	50.5
	38.1	88.9	41.1	64	50.5
63.5	25.4	88.9	47.5	77.5	50.5
	31.8	88.9	47.5	77.5	50.5
	38.1	88.9	47.5	77.5	50.5
	50.8	88.9	47.5	77.5	64
76.2	25.4	95.3	53.8	91	50.5
	31.8	95.3	53.8	91	50.5
	38.1	95.3	53.8	91	50.5
	50.8	95.3	53.8	91	64
	63.5	95.3	53.8	91	77.5
101.6	25.4	114.2	66.5	119	50.5
	31.8	114.2	66.5	119	50.5
	38.1	114.2	66.5	119	50.5
	50.8	114.2	66.5	119	64
	63.5	114.2	66.5	119	77.5
	76.2	114.2	66.5	119	91
127.0	25.4	135.8	79.2	145	50.5
	31.8	135.8	79.2	145	50.5
	38.1	135.8	79.2	145	50.5
	50.8	135.8	79.2	145	64
	63.5	135.8	79.2	145	77.5
	76.2	135.8	79.2	145	91
	101.6	135.8	82.3	145	119
152.4	25.4	148.5	91.9	167	50.5
	31.8	148.5	91.9	167	50.5
	38.1	148.5	91.9	167	50.5
	50.8	148.5	91.9	167	64
	63.5	148.5	91.9	167	77.5
	76.2	148.5	91.9	167	91
	101.6	148.5	95.0	167	119

### 异径卡箍三通(中头长)-(推荐系列) Reducing clamped tee (long middle port)/(recommended)

执行标准Executive standard: 3A;  
适用于Applied for: AS1528, BS4825, 3A,SMS-DS



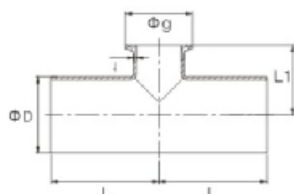
货号代码Code : F040163

SIZE		尺寸			
直通	异径通	直通长度	异径长度	直通卡盘	异径卡盘
		L	L1	G	g
25.4	19	61.8	50.4	50.5	25.4
31.8	25.4	60.3	53.6	50.5	50.5
38.1	25.4	69.9	56.8	50.5	50.5
	31.8	69.9	56.8	50.5	50.5
50.8	25.4	88.9	68.1	64	50.5
	31.8	88.9	68.1	64	50.5
	38.1	88.9	68.1	64	50.5
63.5	25.4	88.9	74.5	77.5	50.5
	31.8	88.9	74.5	77.5	50.5
	38.1	88.9	74.5	77.5	50.5
	50.8	88.9	74.5	77.5	64
76.2	25.4	95.3	80.8	91	50.5
	31.8	95.3	80.8	91	50.5
	38.1	95.3	80.8	91	50.5
	50.8	95.3	80.8	91	64
	63.5	95.3	80.8	91	77.5
101.6	25.4	114.2	103.5	119	50.5
	31.8	114.2	103.5	119	50.5
	38.1	114.2	103.5	119	50.5
	50.8	114.2	103.5	119	64
	63.5	114.2	103.5	119	77.5
	76.2	114.2	103.5	119	91
127.0	25.4	135.8	126.2	145	50.5
	31.8	135.8	126.2	145	50.5
	38.1	135.8	126.2	145	50.5
	50.8	135.8	126.2	145	64
	63.5	135.8	126.2	145	77.5
	76.2	135.8	126.2	145	91
	101.6	135.8	129.3	145	119
152.4	25.4	148.5	138.9	167	50.5
	31.8	148.5	138.9	167	50.5
	38.1	148.5	138.9	167	50.5
	50.8	148.5	138.9	167	64
	63.5	148.5	138.9	167	77.5
	76.2	148.5	138.9	167	91
	101.6	148.5	142.0	167	119

两头对焊-中头卡箍(中头短)-异径三通-(推荐系列)  
Welded reducing tee (short clamped middle port)/(recommended)

执行标准Executive standard: 3A;

适用于Applied for: AS1528, BS4825, 3A,SMS-DS(R=1.5D)



货号代码Code : F040166

SIZE		尺寸		
直通	异径通	直通长度	异径长度	异径卡盘
		L	L1	g
25.4	19	49.0	28.4	25.4
31.8	25.4	47.6	31.6	50.5
38.1	25.4	57.2	34.8	50.5
	31.8	57.2	34.8	50.5
50.8	25.4	76.2	41.1	50.5
	31.8	76.2	41.1	50.5
	38.1	76.2	41.1	50.5
63.5	25.4	76.2	47.5	50.5
	31.8	76.2	47.5	50.5
	38.1	76.2	47.5	50.5
	50.8	76.2	47.5	64.0
76.2	25.4	82.6	53.8	50.5
	31.8	82.6	53.8	50.5
	38.1	82.6	53.8	50.5
	50.8	82.6	53.8	64.0
	63.5	82.6	53.8	77.5
101.6	25.4	98.4	66.5	50.5
	31.8	98.4	66.5	50.5
	38.1	98.4	66.5	50.5
	50.8	98.4	66.5	64.0
	63.5	98.4	66.5	77.5
	76.2	98.4	66.5	91.0
127.0	25.4	114.3	79.2	50.5
	31.8	114.3	79.2	50.5
	38.1	114.3	79.2	50.5
	50.8	114.3	79.2	64.0
	63.5	114.3	79.2	77.5
	76.2	114.3	79.2	91.0
	101.6	114.3	82.3	119.0
152.4	25.4	127.0	91.9	50.5
	31.8	127.0	91.9	50.5
	38.1	127.0	91.9	50.5
	50.8	127.0	91.9	64.0
	63.5	127.0	91.9	77.5
	76.2	127.0	91.9	91.0
	101.6	127.0	95.0	119.0





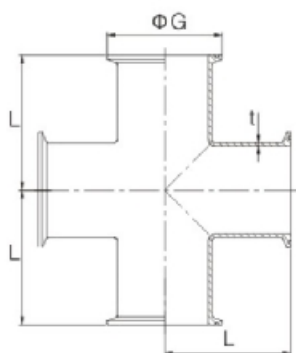
# 卡箍管件

## Clamped pipe fittings

### 卡箍四通(中头等长)-(推荐系列) Clamped cross (equilong middle port)/(recommended)

执行标准Executive standard: 3A; 适用于Applied for: AS1528, BS4825, 3A,SMS-DS(R=1.5D)

货号代码Code : F040153

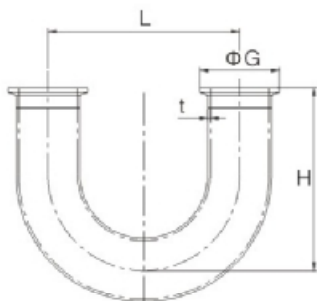


SIZE	尺寸	
	L	G
0.5	61.7	25.4
0.75	61.7	25.4
0.5	61.7	50.5
0.75	61.7	50.5
1.0	61.7	50.5
1.25	60.3	50.5
1.5	69.9	50.5
2.0	88.9	64.0
2.5	88.9	77.5
3.0	95.3	91.0
4.0	114.2	119.0
5.0	135.8	145.0
5.0	135.8	155.0
6.0	148.5	167.0
6.0	148.5	183.0

### 180° 卡箍弯头-(推荐系列) 180° clamped elbow (recommended)

执行标准Executive standard: 3A; 适用于Applied for: AS1528, BS4825, 3A,SMS-DS(R=1.5D)

货号代码Code : F0401A2

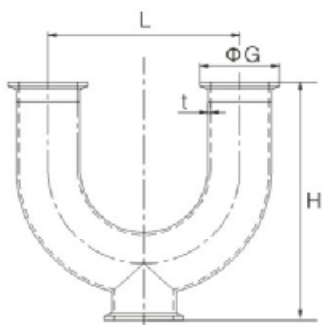


SIZE	尺寸		
	L	H	G
1"	76.2	80.8	50.5
1 1/4"	95.3	90.3	50.5
1 1/2"	114.3	99.9	50.5
2"	152.4	118.9	64.0
2 1/2"	190.5	138.0	77.5
3"	228.6	157.0	91.0
4"	304.8	198.2	119.0
5"	381.0	252.0	145.0
6"	457.2	290.1	167.0

### 卡箍-U型-三通-(推荐系列) Clamped U-type tee (recommended)

执行标准Executive standard: 3A; 适用于Applied for: AS1528, BS4825, 3A,SMS-DS(R=1.5D)

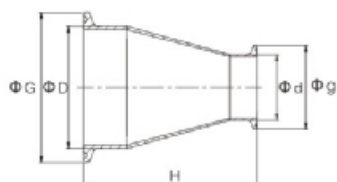
货号代码Code : F0401A4



SIZE	尺寸		
	L	G	H
1"	76.2	50.5	108.2
1 1/4"	95.3	50.5	120.9
1 1/2"	114.3	50.5	133.6
2"	152.4	64.0	159.0
2 1/2"	190.5	77.5	184.4
3"	228.6	91.0	209.8
4"	304.8	119.0	266.8

**短型-卡箍-同心大小头-(推荐系列)**  
**Short clamped concentric reducer (recommended)**

执行标准Executive standard: 3A;  
 适用于Applied for: AS1528, BS4825, 3A,SMS-DS(R=1.5D)

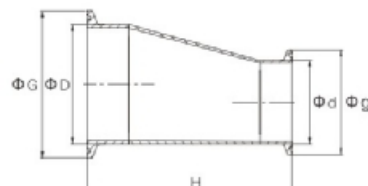


货号代码Code : F040182

SIZE		尺寸		
大头	小头	大头(G)	长度(H)	小头(g)
0.75	0.5	25.4	44.5	25.4
1.0	0.5	50.5	63.5	25.4
1.0	0.75	50.5	44.5	25.4
1.25	0.5	50.5	63.5	25.4
1.25	0.75	50.5	63.5	25.4
1.25	1.0	50.5	44.5	50.5
1.5	0.5	50.5	76.2	25.4
1.5	0.75	50.5	63.5	25.4
1.5	1.0	50.5	63.5	50.5
1.5	1.25	50.5	44.5	50.5
2.0	0.75	64.0	88.9	25.4
2.0	1.0	64.0	76.2	50.5
2.0	1.25	64.0	63.5	50.5
2.0	1.5	64.0	63.5	50.5
2.5	1.0	77.5	101.6	50.5
2.5	1.25	77.5	88.9	50.5
2.5	1.5	77.5	76.2	50.5
2.5	2.0	77.5	63.5	64.0
3.0	1.0	91.0	127.0	50.5
3.0	1.25	91.0	114.3	50.5
3.0	1.5	91.0	101.6	50.5
3.0	2.0	91.0	76.2	64.0
3.0	2.5	91.0	63.5	77.5
4.0	1.0	119.0	180.9	50.5
4.0	1.25	119.0	168.2	50.5
4.0	1.5	119.0	155.5	50.5
4.0	2.0	119.0	130.1	64.0
4.0	2.5	119.0	104.7	77.5
4.0	3.0	119.0	79.3	91.0
6.0	3.0	167.0	186.6	91.0
6.0	4.0	167.0	138.9	119.0

**短型-卡箍-偏心大小头-(推荐系列)**  
**Short clamped eccentric reducer (recommended)**

执行标准Executive standard:  
 3A; 适用于Applied for: AS1528, BS4825, 3A,SMS-DS(R=1.5D)



货号代码Code : F040192

SIZE		尺寸		
大头	小头	大头(G)	长度(H)	小头(g)
0.75	0.5	25.4	44.5	25.4
1.0	0.5	50.5	63.5	25.4
1.0	0.75	50.5	44.5	25.4
1.25	0.5	50.5	63.5	25.4
1.25	0.75	50.5	63.5	25.4
1.25	1.0	50.5	44.5	50.5
1.5	0.5	50.5	76.2	25.4
1.5	0.75	50.5	63.5	25.4
1.5	1.0	50.5	63.5	50.5
1.5	1.25	50.5	44.5	50.5
2.0	0.75	64.0	88.9	25.4
2.0	1.0	64.0	76.2	50.5
2.0	1.25	64.0	63.5	50.5
2.0	1.5	64.0	63.5	50.5
2.5	1.0	77.5	101.6	50.5
2.5	1.25	77.5	88.9	50.5
2.5	1.5	77.5	76.2	50.5
2.5	2.0	77.5	63.5	64.0
3.0	1.0	91.0	127.0	50.5
3.0	1.25	91.0	114.3	50.5
3.0	1.5	91.0	101.6	50.5
3.0	2.0	91.0	76.2	64.0
3.0	2.5	91.0	63.5	77.5
4.0	1.0	119.0	180.9	50.5
4.0	1.25	119.0	168.2	50.5
4.0	1.5	119.0	155.5	50.5
4.0	2.0	119.0	130.1	64.0
4.0	2.5	119.0	104.7	77.5
4.0	3.0	119.0	79.3	91.0
6.0	3.0	167.0	186.6	91.0
6.0	4.0	167.0	138.9	119.0

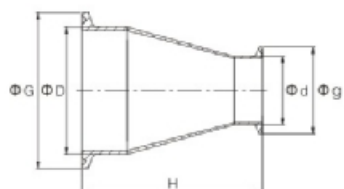


# 卡箍管件

## Clamped pipe fittings

### 长型-卡箍-同心大小头-(选型系列) Long clamped concentric reducer (option)

执行标准Executive standard: 3A;  
适用于Applied for: AS1528, BS4825, 3A,SMS-DS(R=1.5D)

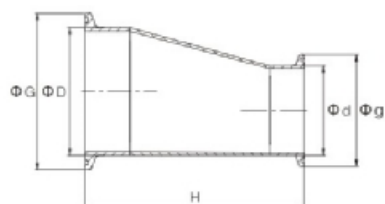


货号代码Code : F040184

SIZE		尺寸		
大头	小头	大头(G)	长度(H)	小头(g)
0.75	0.5	25.4	50.8	25.4
1.0	0.5	50.5	76.2	25.4
1.0	0.75	50.5	50.8	25.4
1.5	0.5	50.5	127.0	25.4
1.5	0.75	50.5	101.6	25.4
1.5	1.0	50.5	76.2	50.5
2.0	1.0	64.0	127.0	50.5
2.0	1.5	64.0	76.2	50.5
2.5	1.0	77.5	177.8	50.5
2.5	1.5	77.5	127.0	50.5
2.5	2.0	77.5	76.2	64.0
3.0	1.0	91.0	228.6	50.5
3.0	1.5	91.0	177.8	50.5
3.0	2.0	91.0	127.0	64.0
3.0	2.5	91.0	76.2	77.5
4.0	1.0	119.0	333.3	50.5
4.0	1.5	119.0	282.5	50.5
4.0	2.0	119.0	231.7	64.0
4.0	2.5	119.0	180.9	77.5
4.0	3.0	119.0	130.1	91.0
6.0	3.0	167.0	339.0	91.0
6.0	4.0	167.0	240.5	119.0

### 长型-卡箍-偏心大小头-(选型系列) Long clamped eccentric reducer (option)

执行标准Executive standard: 3A;  
适用于Applied for: AS1528, BS4825, 3A,SMS-DS(R=1.5D)



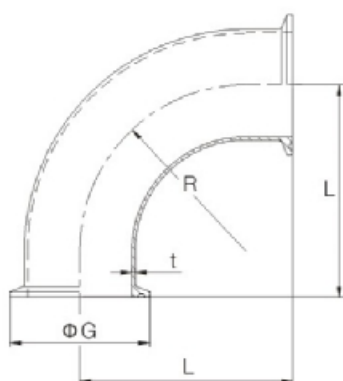
货号代码Code : F040194

SIZE		尺寸		
大头	小头	大头(G)	长度(H)	小头(g)
0.75	0.5	25.4	50.8	25.4
1.0	0.5	50.5	76.2	25.4
1.0	0.75	50.5	50.8	25.4
1.5	0.5	50.5	127.0	25.4
1.5	0.75	50.5	101.6	25.4
1.5	1.0	50.5	76.2	50.5
2.0	1.0	64.0	127.0	50.5
2.0	1.5	64.0	76.2	50.5
2.5	1.0	77.5	177.8	50.5
2.5	1.5	77.5	127.0	50.5
2.5	2.0	77.5	76.2	64.0
3.0	1.0	91.0	228.6	50.5
3.0	1.5	91.0	177.8	50.5
3.0	2.0	91.0	127.0	64.0
3.0	2.5	91.0	76.2	77.5
4.0	1.0	119.0	333.3	50.5
4.0	1.5	119.0	282.5	50.5
4.0	2.0	119.0	231.7	64.0
4.0	2.5	119.0	180.9	77.5
4.0	3.0	119.0	130.1	91.0
6.0	3.0	167.0	339.0	91.0
6.0	4.0	167.0	240.5	119.0

### 90° 卡箍弯头-(选型系列) 90° clamped elbow (option)

适用于Applied for: ISO1127

货号代码Code : F070103

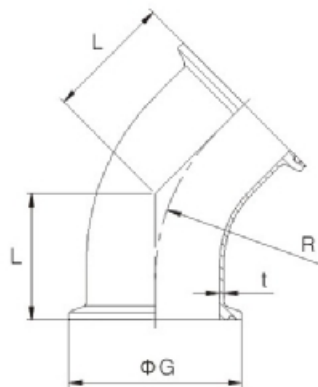


SIZE	尺寸		
	R	L	G
17.2	27.5	49.0	50.5
21.3	28.0	49.5	50.5
26.9	29.0	50.5	50.5
33.7	38.0	59.5	50.5
42.4	48.0	69.5	64.0
45.0	57.5	79.0	64.0
48.3	57.0	78.5	64.0
57.0	68.0	89.5	77.5
60.3	76.0	97.5	77.5
76.1	95.0	116.5	91.0
89.0	103.5	125.0	106.0
108.0	152.0	173.5	119.0
114.3	152.0	173.5	130.0
133.0	190.0	218.0	155.0
139.7	190.0	218.0	155.0
159.0	228.6	256.6	183.0
168.3	229.0	257.0	183.0
219.1	305.0	333.0	233.5

### 45° 卡箍弯头-(选型系列) 45° clamped elbow (option)

适用于Applied for: ISO1127

货号代码Code : F070113



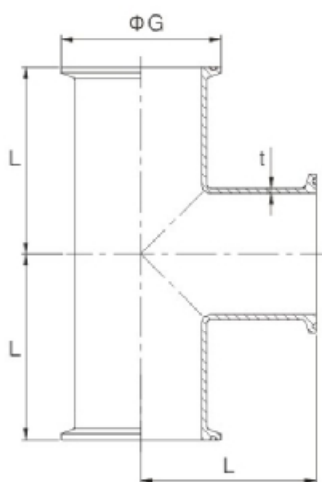
SIZE	尺寸		
	R	L	G
17.2	27.5	32.9	50.5
21.3	28.0	33.1	50.5
26.9	29.0	33.5	50.5
33.7	38.0	37.2	50.5
42.4	48.0	41.4	64.0
45.0	57.5	45.3	64.0
48.3	57.0	45.1	64.0
57.0	68.0	49.6	77.5
60.3	76.0	53.0	77.5
76.1	95.0	60.9	91.0
89.0	103.5	64.4	106.0
108.0	152.0	84.5	119.0
114.3	152.0	84.5	130.0
133.0	190.0	106.7	155.0
139.7	190.0	106.7	155.0
159.0	228.6	122.9	183.0
168.3	229.0	122.9	183.0
219.1	305.0	154.3	233.5

# 卡箍管件 Clamped pipe fittings

## 卡箍三通-(选型系列) Clamped tee (option)

适用于Applied for: ISO1127

货号代码Code : F070123



SIZE	尺寸	
	L	G
17.2	49.0	50.5
21.3	49.5	50.5
26.9	50.5	50.5
33.7	59.5	50.5
42.4	69.5	64.0
45.0	74.0	64.0
48.3	78.5	64.0
57.0	89.5	77.5
60.3	85.5	77.5
76.1	97.5	91.0
89.0	125.0	106.0
108.0	126.5	119.0
114.3	126.5	130.0
133.0	163.0	155.0
139.7	168.0	155.0
159.0	168.0	183.0
168.3	198.0	183.0
219.1	248.0	233.5

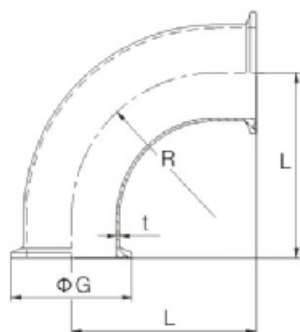




### 90° 卡箍弯头-(DIN 推荐系列) 90° clamped elbow (DIN recommended)

适用于Applied for: DIN11852

货号代码Code : F020103

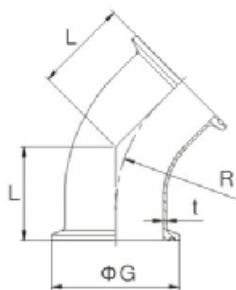


SIZE	R	长度	卡盘
		L	G
DN10	26.0	44.0	34.0
DN15	35.0	53.0	34.0
DN20	40.0	58.0	34.0
DN25	50.0	71.5	50.5
DN32	55.0	76.5	50.5
DN40	60.0	81.5	50.5
DN50	70.0	91.5	64.0
DN65	80.0	108.0	91.0
DN80	90.0	118.0	106.0
DN100	100.0	128.0	119.0
DN125	187.5	215.5	145.0
DN150	225.0	253.0	167.0

### 45° 卡箍弯头 45° clamped elbow

适用于Applied for: DIN11852

货号代码Code : F020113

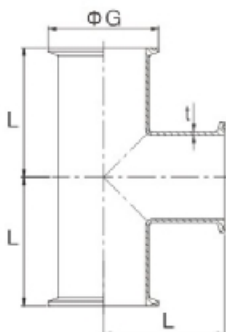


SIZE	R	长度	卡盘
		L	G
DN10	26.0	28.8	34.0
DN15	35.0	32.5	34.0
DN20	40.0	34.6	34.0
DN25	50.0	42.2	50.5
DN32	55.0	44.3	50.5
DN40	60.0	46.4	50.5
DN50	70.0	50.5	64.0
DN65	80.0	61.1	91.0
DN80	90.0	65.3	106.0
DN100	100.0	69.4	119.0
DN125	187.5	105.7	145.0
DN150	225.0	121.2	167.0

### 卡箍三通(中头长)-(推荐系列) Clamped tee (long middle port)/(recommended)

适用于Applied for: DIN11852

货号代码Code : F020123



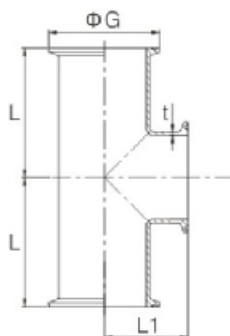
SIZE	长度	卡盘
	L	G
DN10	44.0	34.0
DN15	53.0	34.0
DN20	58.0	34.0
DN25	71.5	50.5
DN32	76.5	50.5
DN40	81.5	50.5
DN50	91.5	64.0
DN65	108.0	91.0
DN80	118.0	106.0
DN100	128.0	119.0
DN125	215.5	145.0
DN150	253.0	167.0

# 卡箍管件 Clamped pipe fittings

## 卡箍三通(中头短) Clamped tee (short middle port)

适用于Applied for: DIN11852

货号代码Code : F020124

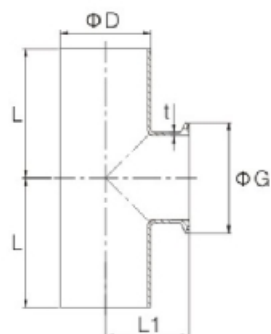


SIZE	长度		卡盘
	L	L1	G
DN10	44.0	27.5	34.0
DN15	53.0	30.5	34.0
DN20	58.0	32.0	34.0
DN25	71.5	38.5	50.5
DN32	76.5	41.5	50.5
DN40	81.5	44.5	50.5
DN50	91.5	50.5	64.0
DN65	108.0	66.0	91.0
DN80	118.0	73.5	106.0
DN100	128.0	83.0	119.0
DN125	215.5	95.5	145.0
DN150	253.0	108.0	167.0

## 两头对焊-中头卡箍(中头短)-三通-(推荐系列) Welded tee (short clamped middle port)/(recommended)

适用于Applied for: DIN11852

货号代码Code : F020126

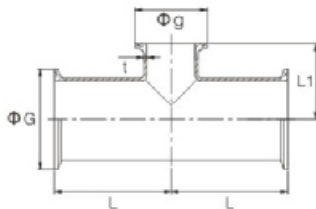


SIZE	长度		卡盘
	L	L1	G
DN10	26.0	27.5	34.0
DN15	35.0	30.5	34.0
DN20	40.0	32.0	34.0
DN25	50.0	38.5	50.5
DN32	55.0	41.5	50.5
DN40	60.0	44.5	50.5
DN50	70.0	50.5	64.0
DN65	80.0	66.0	91.0
DN80	90.0	73.5	106.0
DN100	100.0	83.0	119.0
DN125	187.5	95.5	145.0
DN150	225.0	108.0	167.0



异径-卡箍三通(中头短)-(推荐系列)  
Reducing clamped tee (short middle port)/(recommended)

适用于Applied for: DIN11852

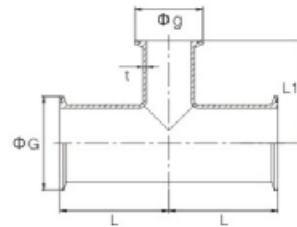


货号代码Code : F020164

SIZE		直通卡盘	长度	异径卡盘	异径长度
直通	异径通	G	L	g	L1
DN15	DN10	34	53.0	34	30.5
DN20	DN10	34	58.0	34	32.0
	DN15				32.0
DN25	DN10	50.5	71.5	34	35.0
	DN15				35.0
	DN20				35.0
DN32	DN10	50.5	76.5	34	38.0
	DN15				38.0
	DN20				38.0
	DN25				50.5
DN40	DN10	50.5	81.5	34	41.0
	DN15				41.0
	DN20				41.0
	DN25			50.5	44.5
	DN32				44.5
DN50	DN20	64	91.5	34	47.0
	DN25				50.5
	DN32			50.5	50.5
	DN40				50.5
DN65	DN25	91	108.0	50.5	59.5
	DN32				59.5
	DN40			64	59.5
	DN50				59.5
DN80	DN32	106	118.0	50.5	67.0
	DN40				67.0
	DN50			91	67.0
	DN65				73.5
DN100	DN40	119	128.0	50.5	76.5
	DN50				76.5
	DN65			106	83.0
	DN80				83.0
DN125	DN50	145	215.5	64	89.0
	DN65				95.5
	DN80			119	95.5
	DN100				95.5
DN150	DN50	167	253.0	64	101.5
	DN65				108.0
	DN80			145	108.0
	DN100				108.0
	DN125				108.0

异径卡箍三通(中头长)-(推荐系列)  
Reducing clamped tee (long middle port)/(recommended)

适用于Applied for: DIN11852



货号代码Code : F020163

SIZE		直通卡盘	长度	异径卡盘	异径长度
直通	异径通	G	L	g	L1
DN15	DN10	34	53.0	34	52.5
DN20	DN10	34	58.0	34	54.0
	DN15				54.0
DN25	DN10	50.5	71.5	34	57.0
	DN15				57.0
	DN20				57.0
DN32	DN10	50.5	76.5	34	60.0
	DN15				60.0
	DN20				60.0
	DN25				50.5
DN40	DN10	50.5	81.5	34	68.0
	DN15				68.0
	DN20				68.0
	DN25			50.5	71.5
	DN32				71.5
DN50	DN20	64	91.5	34	74.0
	DN25				77.5
	DN32			50.5	77.5
	DN40				77.5
DN65	DN25	91	108.0	50.5	86.5
	DN32				86.5
	DN40			64	86.5
	DN50				86.5
DN80	DN32	106	118.0	50.5	104.0
	DN40				104.0
	DN50			91	104.0
	DN65				110.5
DN100	DN40	119	128.0	50.5	113.5
	DN50				113.5
	DN65			106	120.0
	DN80				120.0
DN125	DN50	145	215.5	64	136.0
	DN65				142.5
	DN80			119	142.5
	DN100				142.5
DN150	DN50	167	253.0	64	148.5
	DN65				155.0
	DN80			145	155.0
	DN100				155.0
	DN125				155.0



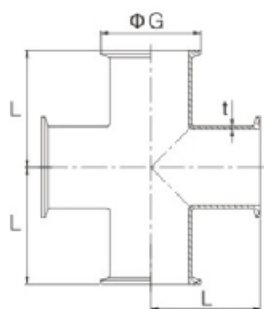
# 卡箍管件

## Clamped pipe fittings

### 卡箍四通(中头等长)-(推荐系列) Clamped cross (equilong middle port)/(recommended)

适用于Applied for: DIN11852

货号代码Code : F0201A3

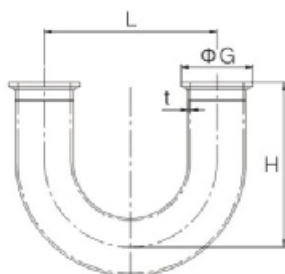


SIZE	长度		卡盘
	L		G
DN10	44.0		34.0
DN15	53.0		34.0
DN20	58.0		34.0
DN25	71.5		50.5
DN32	76.5		50.5
DN40	81.5		50.5
DN50	91.5		64.0
DN65	108.0		91.0
DN80	118.0		106.0
DN100	128.0		119.0
DN125	215.5		145.0
DN150	253.0		167.0

### 180° 卡箍弯头-(推荐系列) 180° clamped elbow (recommended)

适用于Applied for: DIN11852

货号代码Code : F0201A2

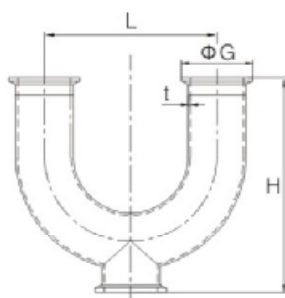


SIZE	长度		卡盘
	L	H	G
DN20	80.0	83.0	34.0
DN25	100.0	111.5	50.5
DN32	110.0	116.5	50.5
DN40	120.0	121.5	50.5
DN50	140.0	131.5	64.0
DN65	160.0	148.0	91.0
DN80	180.0	173.0	106.0
DN100	200.0	183.0	119.0

### 卡箍-U型-三通-(推荐系列) Clamped U-type tee (recommended)

适用于Applied for: DIN11852

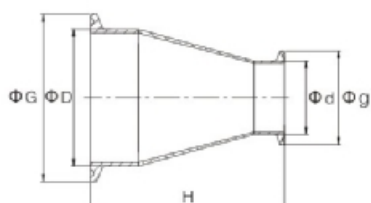
货号代码Code : F0201A4



SIZE	长度		卡盘
	L	H	G
DN25	100.0	149.0	50.5
DN32	110.0	157.0	50.5
DN40	120.0	165.0	50.5
DN50	140.0	181.0	64.0
DN65	160.0	213.0	91.0
DN80	180.0	245.5	106.0
DN100	200.0	265.0	119.0

卡箍-同心大小头-(推荐系列)  
Clamped concentric reducer (recommended)

适用于Applied for: DIN11852

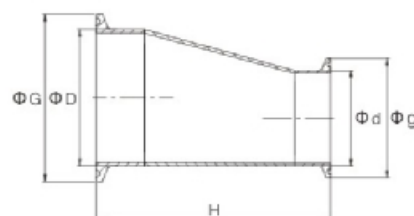


货号代码Code : F020182

SIZE		尺寸		
大头	小头	大头卡盘 G	长度 H	小头卡盘 g
DN15	DN10	34.0	47.0	34.0
DN20	DN10	34.0	54.0	34.0
	DN15	34.0	43.0	34.0
DN25	DN10	50.5	69.0	34.0
	DN15	50.5	57.5	34.0
	DN20	50.5	50.5	34.0
DN32	DN15	50.5	69.0	34.0
	DN20	50.5	61.5	34.0
	DN25	50.5	54.0	50.5
DN40	DN15	50.5	80.0	34.0
	DN20	50.5	72.5	34.0
	DN25	50.5	61.5	50.5
	DN32	50.5	54.0	50.5
DN50	DN25	64.0	87.0	50.5
	DN32	64.0	76.0	50.5
	DN40	64.0	65.0	50.5
DN65	DN25	91.0	122.5	50.5
	DN32	91.0	111.5	50.5
	DN40	91.0	100.5	50.5
	DN50	91.0	78.5	64.0
DN80	DN25	106.0	150.5	50.5
	DN32	106.0	139.5	50.5
	DN40	106.0	129.0	50.5
	DN50	106.0	105.5	64.0
	DN65	106.0	83.0	91.0
DN100	DN25	119.0	184.0	50.5
	DN32	119.0	173.0	50.5
	DN40	119.0	162.5	50.5
	DN50	119.0	141.0	64.0
	DN65	119.0	117.0	91.0
	DN80	119.0	90.0	106.0
DN125	DN25	145.0	229.5	50.5
	DN32	145.0	219.0	50.5
	DN40	145.0	208.0	50.5
	DN50	145.0	186.5	64.0
	DN65	145.0	162.5	91.0
	DN80	145.0	135.0	106.0
DN150	DN100	145.0	101.0	119.0
	DN65	167.0	185.0	91.0
	DN80	167.0	149.0	106.0
	DN100	167.0	146.0	119.0
	DN125	167.0	101.0	145.0

卡箍-偏心大小头-(推荐系列)  
Clamped eccentric reducer (recommended)

适用于Applied for: DIN11852



货号代码Code : F020192

SIZE		尺寸		
大头	小头	大头卡盘 G	长度 H	小头卡盘 g
DN15	DN10	34.0	52.5	34.0
DN20	DN10	34.0	63.5	34.0
	DN15	34.0	47.0	34.0
DN25	DN15	34.0	67.0	34.0
	DN20	34.0	56.0	34.0
DN32	DN20	34.0	72.5	34.0
	DN25	50.5	59.5	50.5
DN40	DN25	50.5	76.0	50.5
	DN32	50.5	59.5	50.5
DN50	DN25	64.0	109.0	50.5
	DN32	64.0	92.5	50.5
	DN40	64.0	76.0	50.5
DN65	DN40	91.0	124.5	50.5
	DN50	91.0	93.5	64.0
DN80	DN50	106.0	137.5	64.0
	DN65	106.0	97.2	91.0
DN100	DN65	119.0	150.0	91.0
	DN80	119.0	108.5	106.0
DN125	DN80	145.0	177.0	106.0
	DN100	145.0	124.5	119.0
DN150	DN100	167.0	193.0	119.0
	DN125	167.0	124.5	145.0





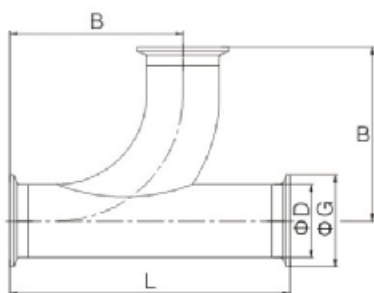
# 卡箍管件

## Clamped pipe fittings

### R型弯头-卡箍三通 -(推荐系列) R-type elbow/clamped tee (recommended)

执行标准Executive standard: 3A; 适用于Applied for: AS、BS、3A、SMS/DS、ISO

货号代码Code : F0401A8

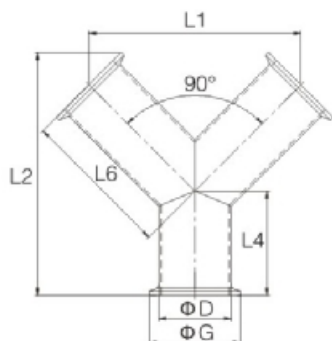


SIZE	尺寸		
	L	B	G
1	145.4	93.7	50.5
1.25	160.4	102.7	50.5
1.5	175.4	112.7	50.5
2	205.4	130.7	64.0
2.5	265.4	164.7	77.5
3	295.4	182.7	91.0
4	371.6	224.8	119.0
5	483.0	291.5	145.0
6	543.0	331.5	167.0

### Y型-卡箍三通 -(推荐系列) Y-type elbow/clamped tee (recommended)

执行标准Executive standard: 3A; 适用于Applied for: AS、BS、3A、SMS/DS、ISO

货号代码Code : F0401A6

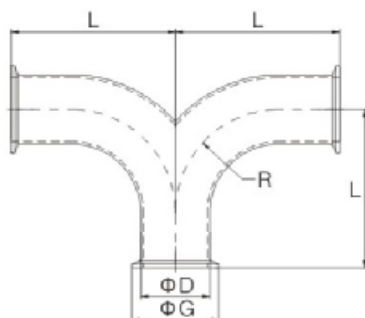


SIZE	尺寸			
	L1	L2	L4	L6
Φ D				
25.4	106.0	102.6	31.7	74.9
31.8	126.0	118.3	36.5	90.5
38.1	150.0	134.0	41.2	106.0
50.8	194.0	169.3	49.7	137.2
63.5	238.0	205.6	59.2	168.3
76.2	282.0	242.0	68.8	199.4
101.6	374.4	320.0	90.9	264.7
127.0	389.4	483.0	237.1	275.4
152.4	460.4	571.0	281.6	325.6

### T型弯头-卡箍三通 -(推荐系列) T-type elbow/clamped tee (recommended)

执行标准Executive standard: 3A; 适用于Applied for: AS、BS、3A、SMS/DS、ISO

货号代码Code : F0401A0

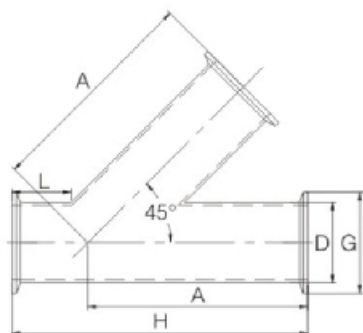


SIZE	尺寸		
	L	R	G
Φ D			
25.4	77.7	38.1	50.5
38.1	97.7	57.2	50.5
50.8	122.7	76.2	64.0
63.5	147.7	95.3	77.5
76.2	167.7	114.3	91.0
101.6	210.8	152.4	119.0

## 45° -Y型三通 -(推荐系列) 45° Y-type tee (recommended)

执行标准Executive standard: 3A; 适用于Applied for: AS、BS、3A,SMS/DS、ISO

货号代码Code : F0401B2



SIZE	内外抛光		尺寸				AS/BS	DS/SMS
	304	316L	总长	高度	直端长度	ΦD	/3A	/ISO
			H	A	L		壁厚	壁厚
1"	NO	NO	187.4	139.7	42.4	25.4	1.65	1.5
1.5"	NO	NO	220.6	169.9	42.8	38.1	1.65	1.5
2"	NO	NO	245.9	192.7	42.7	50.8	1.65	1.5
2.5"	NO	NO	289.4	228.7	47.5	63.5	1.65	2
3"	NO	NO	291.4	228.7	46.9	76.2	1.65	2
4"	NO	NO	367.1	288.8	55.3	101.6	2.1	2



# 夹套保温管件 Jacketed insulation fittings

注意：  
A=默认表面：1)外亚光、内镜面；  
B=选型表面：1)内外镜面；  
C=选型表面：3)喷砂表面。

保温-弯头(两头连接为卡箍) Insulation elbow (both clamped ends)

适用于Suitable for: INCH&DIN



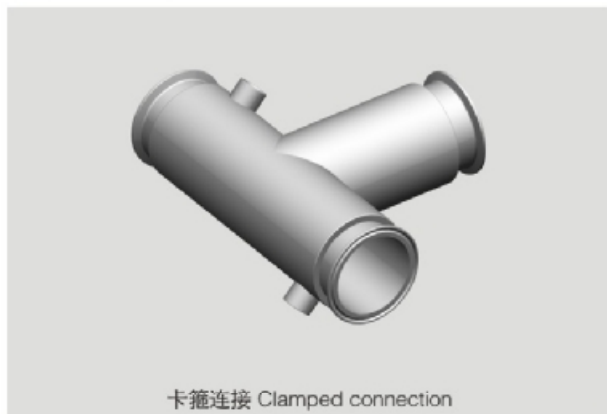
保温-弯头(两头连接为对焊) Insulation elbow (both welded ends)

适用于Suitable for: INCH&DIN



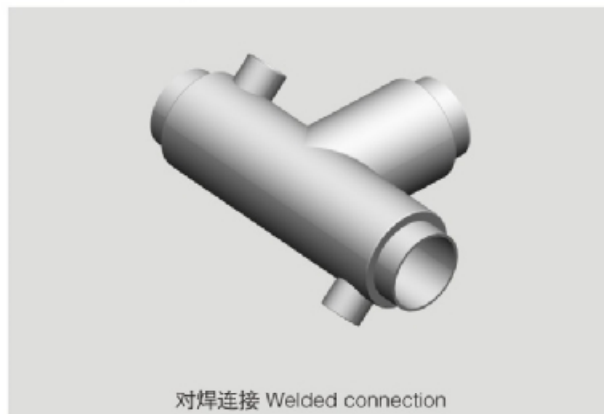
保温-三通(三头连接为卡箍) Insulation tee (triple clamped ends)

适用于Suitable for: INCH&DIN



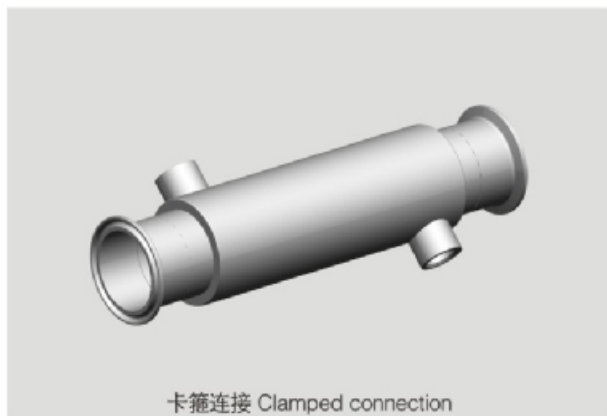
保温-三通(三头连接为对焊) Insulation tee (triple welded ends)

适用于Suitable for: INCH&DIN



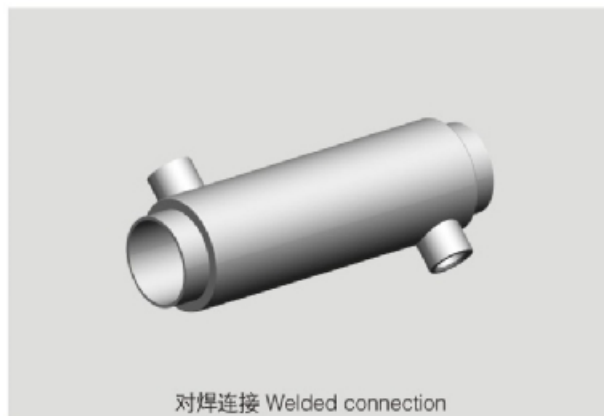
保温-直管(两头连接为卡箍) Insulation straight pipe (both clamped ends)

适用于Suitable for: INCH&DIN



保温-直管(两头连接为对焊) Insulation straight pipe (both welded ends)

适用于Suitable for: INCH&DIN



## 其他管件 Other fittings

Note:

Normal surface: 1) External matte, internal mirror polishing

Optional surface: 1) Internal & external mirror polishing

Optional surface: 3) Sandblasting

### 两头螺纹-弯头 Elbow/both threaded ends

适用于 Suitable for: 3A-SMS-DS-ISO-IDF-RJT-DIN



### 两头螺母-弯头 Elbow/both nut ends

适用于 Suitable for: 3A-SMS-DS-ISO-IDF-RJT-DIN



### 单头螺母-单头螺纹-弯头 Elbow/one nut end and one threaded end

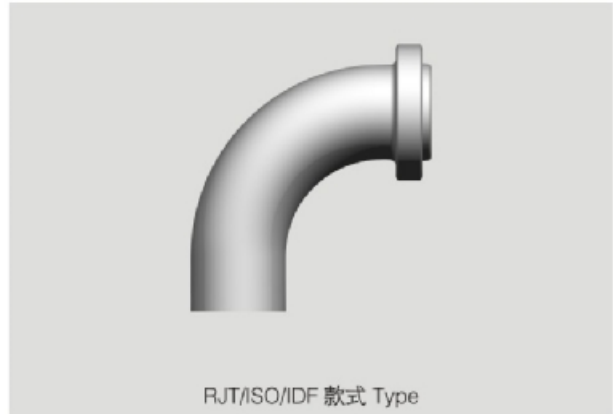
适用于 Suitable for: 3A-SMS-DS-ISO-IDF-RJT-DIN



## 其他管件 Other fittings

### 单头螺纹-单头焊接-弯头 Elbow/one threaded end and one welded end

适用于 Suitable for: 3A-SMS-DS-ISO-IDF-RJT-DIN



### 单头螺母-单头对焊-弯头 Elbow/one nut end and one welded end

适用于 Suitable for: 3A-SMS-DS-ISO-IDF-RJT-DIN



### 两端法兰-弯头 Elbow/both flanged ends

适用于 Suitable for: INCH-DIN



### 两端无菌法兰-弯头 Elbow/both aseptic flanged ends

适用于 Suitable for: INCH-DIN





### 单头法兰-弯头 Elbow/single flanged ends

适用于Suitable for: INCH-DIN



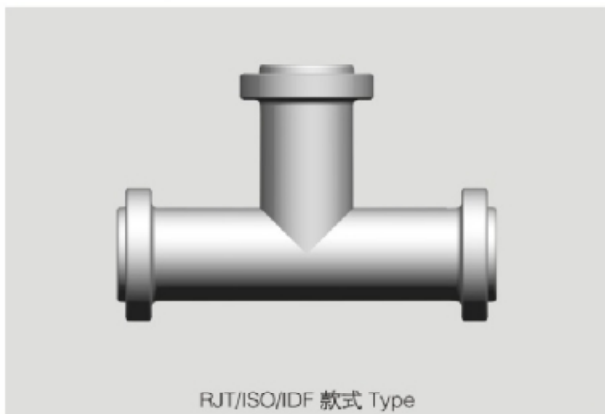
### 单头无菌法兰-弯头 Elbow/single aseptic flanged ends

适用于Suitable for: INCH-DIN

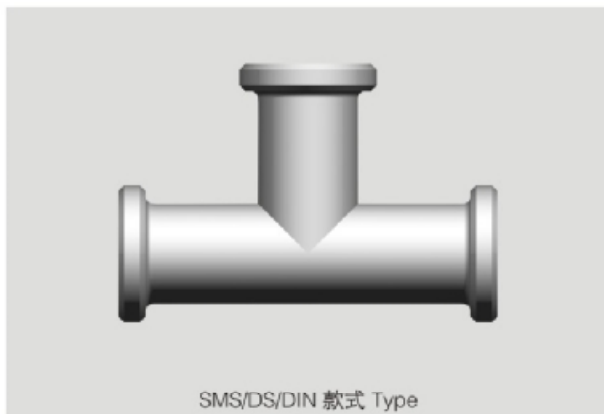


### 三头螺纹-三通 Tee/triple threaded ends

适用于Suitable for: 3A-SMS-DS-ISO-IDF-RJT-DIN



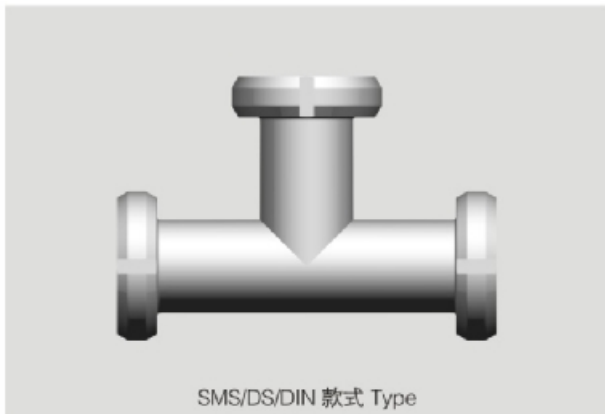
RJT/ISO/IDF 款式 Type



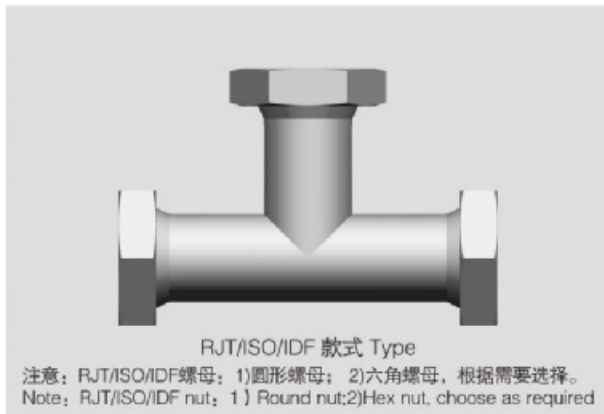
SMS/DS/DIN 款式 Type

### 三头螺母-三通 Tee/triple nut ends

适用于Suitable for: 3A-SMS-DS-ISO-IDF-RJT-DIN



SMS/DS/DIN 款式 Type



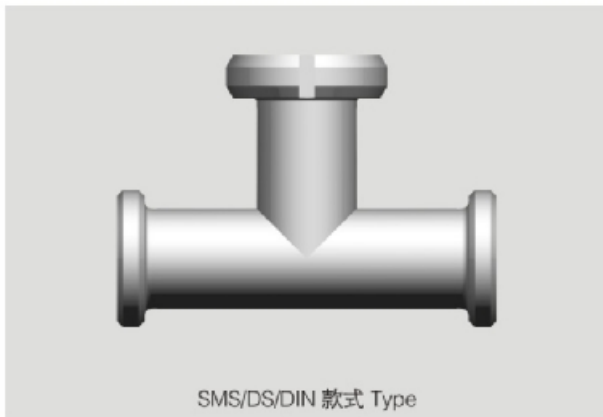
RJT/ISO/IDF 款式 Type

注意: RJT/ISO/IDF螺母: 1)圆形螺母; 2)六角螺母, 根据需要选择。  
Note: RJT/ISO/IDF nut: 1) Round nut; 2) Hex nut, choose as required

# 其他管件 Other fittings

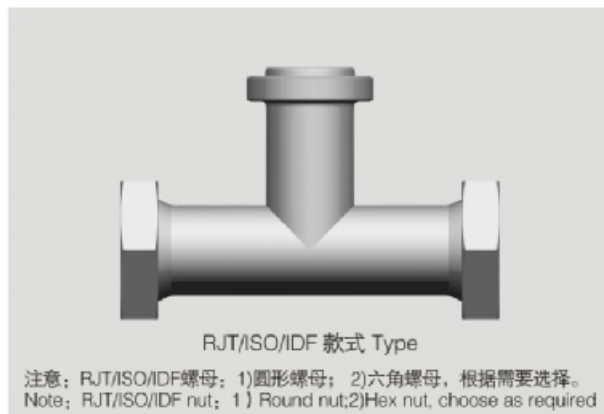
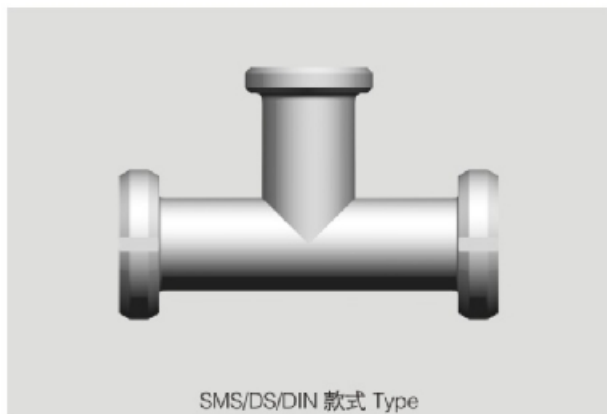
## 单头螺母-两头螺纹-三通 Tee/both threaded ends and middle nut end

适用于 Suitable for: 3A-SMS-DS-ISO-IDF-RJT-DIN



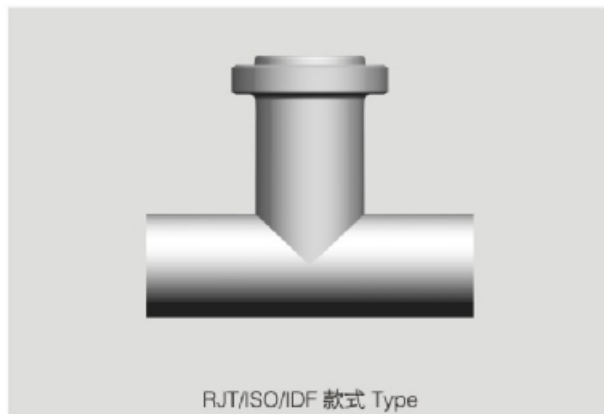
### 两头螺母-单头螺纹-三通 Tee/both nut ends and middle threaded end

适用于Suitable for: 3A-SMS-DS-ISO-IDF-RJT



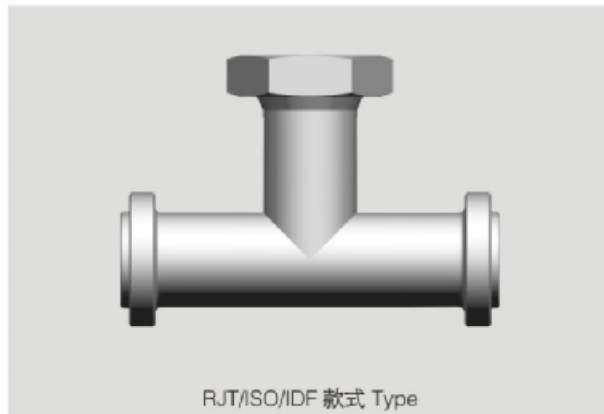
### 单头螺纹-三通 Tee/middle threaded end

适用于Suitable for: 3A-SMS-DS-ISO-IDF-RJT-DIN



### 单头螺母-两头螺纹-三通 Tee/both threaded ends and middle nut end

适用于Suitable for: 3A-SMS-DS-ISO-IDF-RJT-DIN

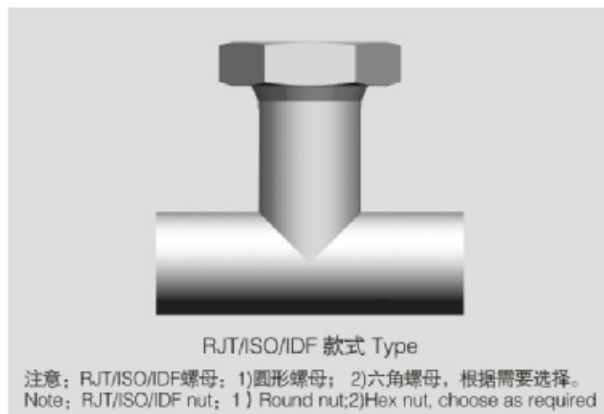
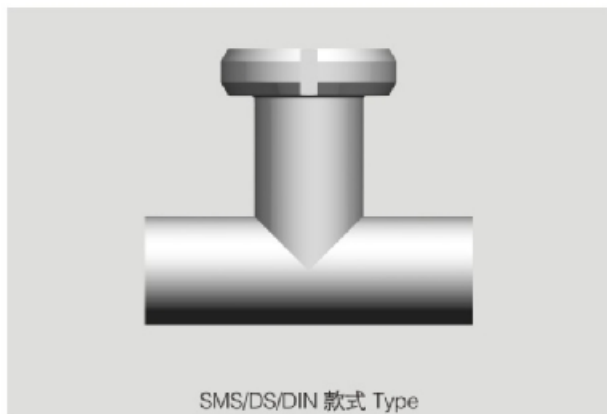


## 其他管件 Other fittings

注意：单头螺母可任意在那一通道。

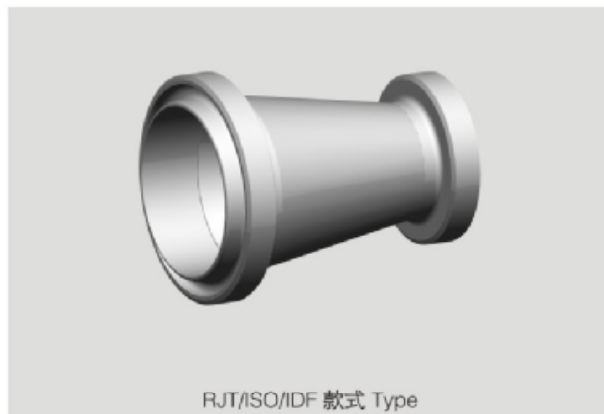
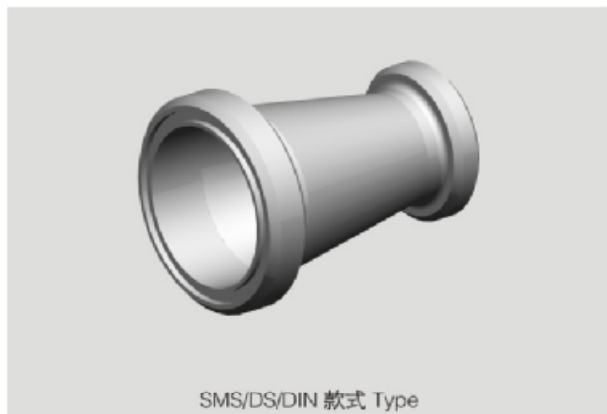
### 单头螺母-三通 Tee/middle nut end

适用于Suitable for: 3A-SMS-DS-ISO-IDF-RJT-DIN



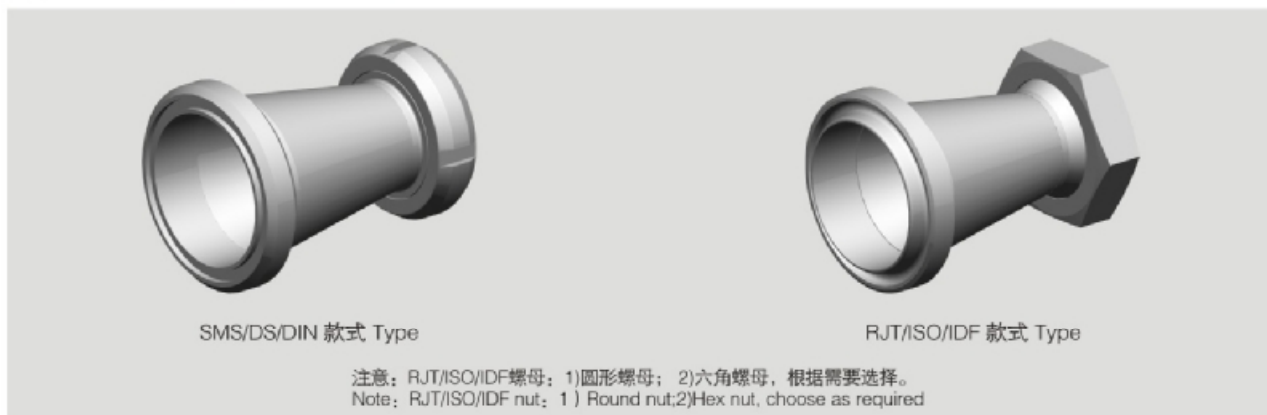
### 两头螺纹-同心大小头和偏心大小头 Concentric reducer and eccentric reducer/both threaded ends

适用于Suitable for: 3A-SMS-DS-ISO-IDF-RJT-DIN



### 单头螺纹-单头螺母-同心大小头和偏心大小头 Concentric reducer and eccentric reducer/one threaded end and one nut end

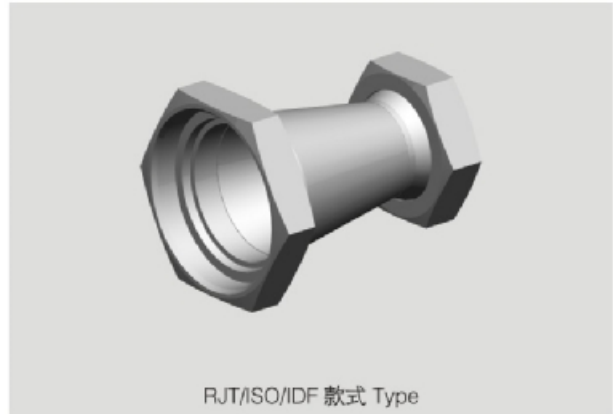
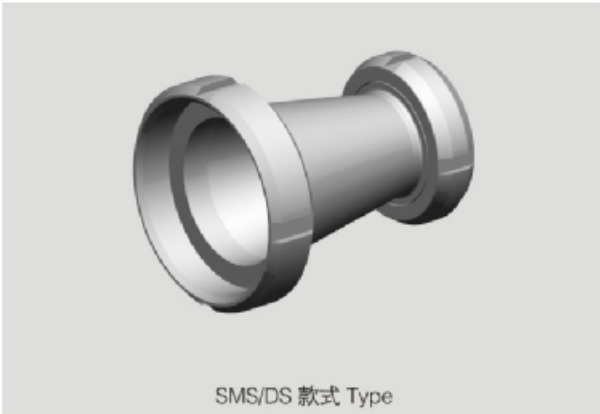
适用于Suitable for: 3A-SMS-DS-ISO-IDF-RJT-DIN



Note: single nut end could be in each port

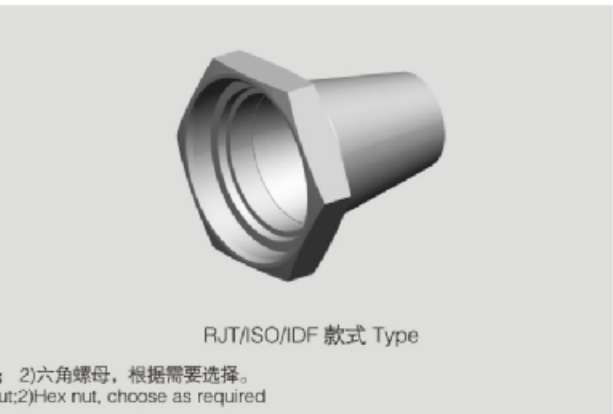
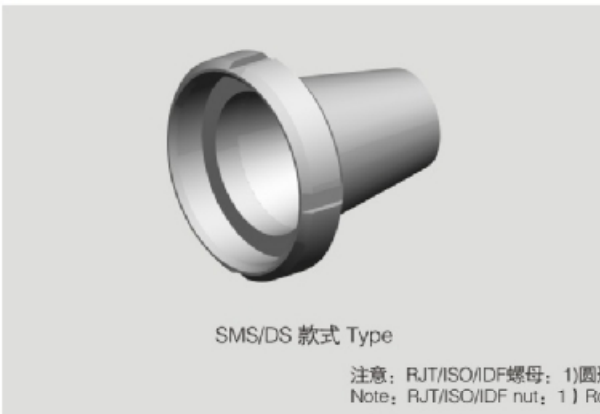
### 两头螺母-同心大小头和偏心大小头 Concentric reducer and eccentric reducer/both nut ends

适用于Suitable for: 3A-SMS-DS-ISO-IDF-RJT-DIN



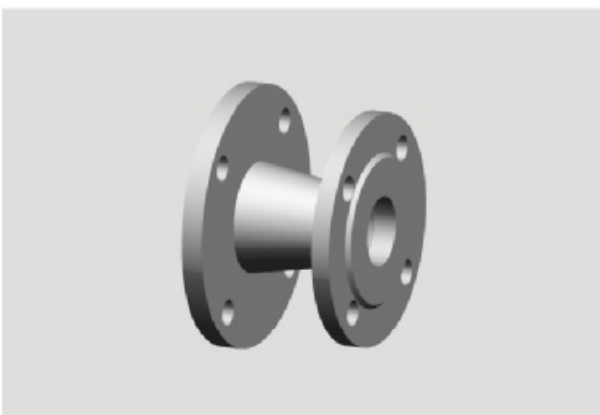
### 单头螺母-单头对焊-同心大小头和偏心大小头 Concentric reducer and eccentric reducer/one nut end and one welded end

适用于Suitable for: 3A-SMS-DS-ISO-IDF-RJT-DIN

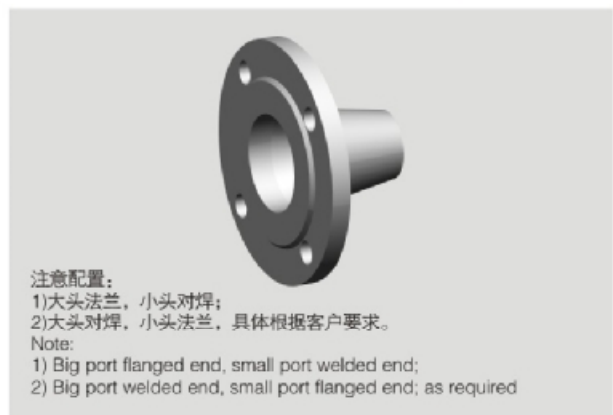


注意: RJT/ISO/IDF螺母: 1)圆形螺母; 2)六角螺母, 根据需要选择。  
Note: RJT/ISO/IDF nut: 1) Round nut; 2) Hex nut, choose as required

### 两头法兰-同心大小头和偏心大小头 Concentric reducer and eccentric reducer/both flanged ends



### 单头法兰-同心大小头和偏心大小头 Concentric reducer and eccentric reducer/single flanged ends







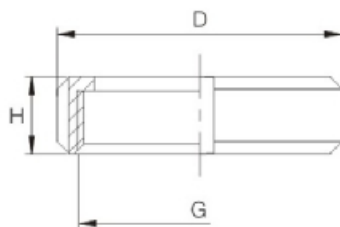
# 由任-DIN11851 Union-DIN11851



## DIN 11851-由任-螺母 Union Nut

适用于: DIN 全系列 Full series

货号代码 Item no. : F020301  
(原代码 Original item no. : 60001)

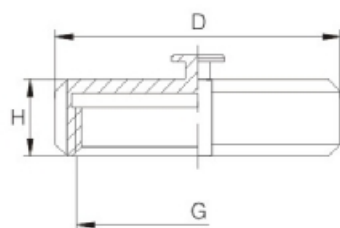


SIZE	尺寸		
	G	H	D
DN10	Rd28x1/8	18	38
DN15	Rd34x1/8	18	44
DN20	Rd44x1/6	20	54
DN25	Rd52x1/6	21	63
DN32	Rd58x1/6	21	70
DN40	Rd65x1/6	21	78
DN50	Rd78x1/6	22	92
DN65	Rd95x1/6	25	110
DN80	Rd110x1/4	27	125
DN100	Rd130x1/4	29	146
DN125	Rd160*1/4	32	178
DN150	Rd190*1/4	38	210

## DIN 11851-由任-盲螺母(可带链) Union blind nut (chain is optional)

适用于: DIN 全系列 Full series

货号代码 Item no. : F020303  
(原代码 Original item no. : 60034)



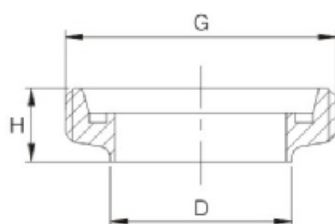
SIZE	尺寸		
	G	H	D
DN10	Rd28x1/8	18	38
DN15	Rd34x1/8	18	44
DN20	Rd44x1/6	20	54
DN25	Rd52x1/6	21	63
DN32	Rd58x1/6	21	70
DN40	Rd65x1/6	21	78
DN50	Rd78x1/6	22	92
DN65	Rd95x1/6	25	110
DN80	Rd110x1/4	27	125
DN100	Rd130x1/4	29	146
DN125	Rd160*1/4	32	178
DN150	Rd190*1/4	38	210

# 由任-DIN11851 Union-DIN11851

## DIN 11851-由任-短型-螺纹接头 Union/short male connector

适用于：推荐系列&第二系列 Recommended series & Second series

货号代码 Item no. : F020311  
(原代码 Original item no. : 60002)

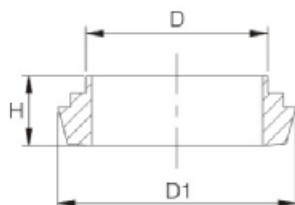


SIZE	尺寸				
	G	H	推荐系列	第二系列	第三系列
DN10	Rd28x1/8	17	12	13	14
DN15	Rd34x1/8	17	18	19	20
DN20	Rd44x1/6	19	22	23	24
DN25	Rd52x1/6	20	28	29	30
DN32	Rd58x1/6	20	34	35	36
DN40	Rd65x1/6	20	40	41	42
DN50	Rd78x1/6	21	52	53	54
DN65	Rd95x1/6	23	70	-	-
DN80	Rd110x1/4	25	85	-	-
DN100	Rd130x1/4	28	104	-	-
DN125	Rd160*1/4	30	129	-	-
DN150	Rd190*1/4	35	154	-	-

## DIN 11851-由任-短型-台阶型平接头 Union/short stepped flat connector

适用于：推荐系列&第二系列 Recommended series & Second series

货号代码 Item no. : F020331  
(原代码 Original item no. : 60003)

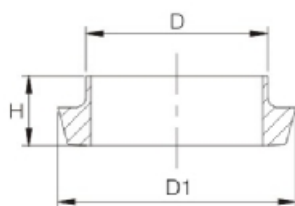


SIZE	尺寸			
	H	推荐系列	第二系列	第三系列
DN10	13	12	13	14
DN15	13	18	19	20
DN20	15	22	23	24
DN25	17	28	29	30
DN32	17	34	35	36
DN40	19	40	41	42
DN50	20	52	53	54
DN65	20	70	-	-
DN80	23	85	-	-
DN100	26	104	-	-
DN125	33	129	-	-
DN150	34	154	-	-

## DIN 11851-由任-短型-圆弧型平接头 Union/short circular flat connector

适用于：推荐系列&第二系列 Recommended series & Second series

货号代码 Item no. : F020332  
(原代码 Original item no. : 60004)

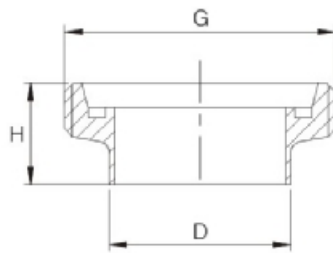


SIZE	尺寸			
	H	推荐系列	第二系列	第三系列
DN10	13	12	13	14
DN15	13	18	19	20
DN20	13	22	23	24
DN25	14	28	29	30
DN32	14	34	35	36
DN40	16	40	41	42
DN50	17	52	53	54
DN65	18	70	-	-
DN80	20	85	-	-
DN100	22	104	-	-
DN125	29	129	-	-
DN150	30	154	-	-

### DIN 11851-由任-长型-螺纹接头 Union/long male connector

适用于：推荐系列&第二系列 Recommended series & Second series

货号代码 Item no. : F020312  
(原代码 Original item no. : 60007)

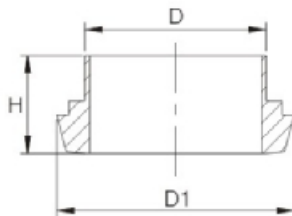


SIZE	尺寸				
	G	H	推荐系列	第二系列	第三系列
DN10	Rd28x1/8	21	12	13	14
DN15	Rd34x1/8	21	18	19	20
DN20	Rd44x1/6	24	22	23	24
DN25	Rd52x1/6	29	28	29	30
DN32	Rd58x1/6	32	34	35	36
DN40	Rd65x1/6	33	40	41	42
DN50	Rd78x1/6	35	52	53	54
DN65	Rd95x1/6	40	70	-	-
DN80	Rd110x1/4	45	85	-	-
DN100	Rd130x1/4	54	104	-	-
DN125	Rd160*1/4	46	129	-	-
DN150	Rd190*1/4	50	154	-	-

### DIN 11851-由任-长型-台阶型平接头 Union/long stepped flat connector

适用于：推荐系列&第二系列 Recommended series & Second series

货号代码 Item no. : F020333  
(原代码 Original item no. : 60008)

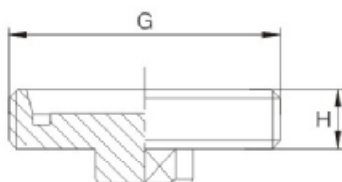


SIZE	尺寸			
	H	推荐系列	第二系列	第三系列
DN10	17	12	13	14
DN15	17	18	19	20
DN20	18	22	23	24
DN25	22	28	29	30
DN32	25	34	35	36
DN40	26	40	41	42
DN50	28	52	53	54
DN65	32	70	-	-
DN80	37	85	-	-
DN100	44	104	-	-
DN125	34	129	-	-
DN150	37	154	-	-

### DIN 11851-由任-盲螺纹接头 Union/blind male connector

适用于：推荐系列&第二系列 Recommended series & Second series

货号代码 Item no. : F020313  
(原代码 Original item no. : 70003)



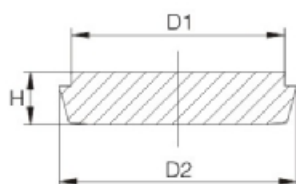
SIZE	尺寸	
	G	H
DN10	Rd28x1/8	13
DN15	Rd34x1/8	13
DN20	Rd44x1/6	15
DN25	Rd52x1/6	15
DN32	Rd58x1/6	15
DN40	Rd65x1/6	15
DN50	Rd78x1/6	15
DN65	Rd95x1/6	17
DN80	Rd110x1/4	19
DN100	Rd130x1/4	20
DN125	Rd160*1/4	21
DN150	Rd190*1/4	26

# 由任-DIN11851 Union-DIN11851

## DIN 11851-由任-盲平接头 Union/blind flat connector

适用于：推荐系列&第二系列 Recommended series & Second series

货号代码 Item no. : F020336  
(原代码 Original item no. : 70004)

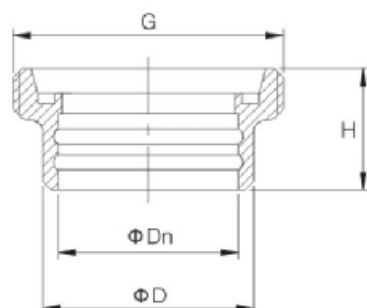


SIZE	尺寸		
	H	D1	D2
DN15	9	24	28
DN20	11	30	36
DN25	13	35	44
DN32	13	41	50
DN40	13	48	56
DN50	15	61	68
DN65	16	79	86
DN80	16	93	100
DN100	20	114	121
DN125	22	137	150
DN150	24	163	176

## DIN 11851-由任-膨胀型螺纹接头 Union/expansive male connector

适用于：推荐系列&第二系列 Recommended series & Second series

货号代码 Item no. : F020314  
(原代码 Original item no. : 60010)

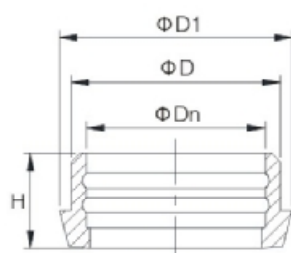


SIZE	尺寸			
	G	H	Dn	D
DN10	Rd28x1/8	21	12.2	18
DN15	Rd34x1/8	21	18.2	24
DN20	Rd44x1/6	24	22.2	30
DN25	Rd52x1/6	29	28.2	35
DN32	Rd58x1/6	32	34.2	41
DN40	Rd65x1/6	33	40.2	48
DN50	Rd78x1/6	35	52.2	61
DN65	Rd95x1/6	40	70.3	79
DN80	Rd110x1/4	45	85.3	93
DN100	Rd130x1/4	54	104.3	114

## DIN 11851-由任-膨胀型平接头 Union/expansive flat connector

适用于：推荐系列&第二系列 Recommended series & Second series

货号代码 Item no. : F020335  
(原代码 Original item no. : 60009)



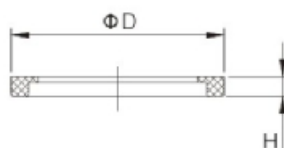
SIZE	尺寸		
	H	Dn	D
DN10	17	12.2	18
DN15	17	18.2	24
DN20	18	22.2	30
DN25	22	28.2	35
DN32	25	34.2	41
DN40	26	40.2	48
DN50	28	52.2	61
DN65	32	70.3	79
DN80	37	85.3	93
DN100	44	104.3	114



### DIN 11851-由任垫圈(L型) Union gasket (L type)

适用于: DIN 全系列由任 Full series of union

货号代码 Item no. : F020361



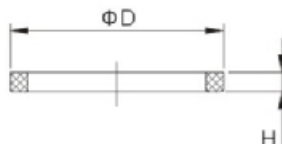
SIZE	尺寸	
	D	H
DN10	20	4.5
DN15	26	4.5
DN20	33	4.5
DN25	40	4.5
DN32	46	5
DN40	52	5
DN50	64	5
DN65	81	5
DN80	95	5
DN100	114	6
DN125	142	7
DN150	167	7

### DIN 11851-由任垫圈(D型) Union gasket (D type)

适用于: DIN 全系列由任 Full series of union

货号代码 Item no. : F020362

(原代码 Original item no. : 60039)

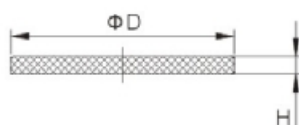


SIZE	尺寸	
	D	H
DN10	20	4
DN15	26	5
DN20	33	5
DN25	40	5
DN32	46	5
DN40	52	5
DN50	64	5
DN65	81	5
DN80	95	5
DN100	114	5
DN125	142	6
DN150	167	6

### DIN 11851-由任-盲螺母-垫圈 Union/blind nut/gasket

适用于: DIN 全系列由任 Full series of union

货号代码 Item no. : F020363



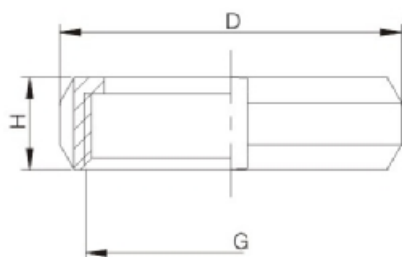
SIZE	尺寸	
	D	H
DN10	28	3
DN15	34	3
DN20	44	3
DN25	52	3
DN32	58	4
DN40	65	4
DN50	78	4
DN65	95	4
DN80	110	4
DN100	130	4
DN125	160	4.5
DN150	185	4.5

# 由任-SMS Union-SMS

## SMS-由任-螺母 Union/Nut

适用于Suitable for : SMS

货号代码 Cargo code : F030301  
(原代码 Original code : 60011)

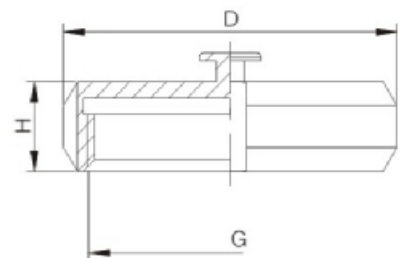


SIZE	尺寸		
	G(ACME)	H	D
25	Rd40x1/6	20	50
32	Rd48x1/6	20	60
38	Rd60x1/6	22	72
51	Rd70x1/6	22	82
63	Rd85x1/6	25	97
76	Rd98x1/6	26	111
89	Rd105x1/6	28	118
102(S)	Rd125x1/4	30	138
102(L)	Rd132x1/6	30	146

## SMS-由任-盲螺母(可带链) Union-Blind nut(chain is available)

适用于Suitable for : SMS

货号代码 Cargo code : F030303  
(原代码 Original code : 60035)

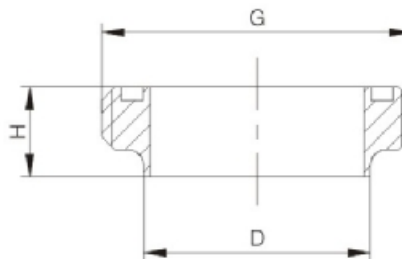


SIZE	尺寸		
	G	H	D
25	Rd40x1/6	20	50
32	Rd48x1/6	20	60
38	Rd60x1/6	22	72
51	Rd70x1/6	22	82
63	Rd85x1/6	25	97
76	Rd98x1/6	26	111
89	Rd105x1/6	28	118
102(S)	Rd125x1/4	30	138
102(L)	Rd132x1/6	30	146

## SMS-由任-短型-螺纹接头 Union-short type-male

适用于Suitable for : SMS

货号代码 Cargo code : F030311  
(原代码 Original code : 60012)



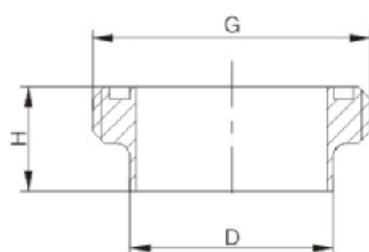
SIZE	尺寸		
	G	H	D
25	Rd40x1/6	19	25.4
32	Rd48x1/6	18	31.8
38	Rd60x1/6	20	38.1
51	Rd70x1/6	20	50.8
63	Rd85x1/6	24	63.5
76	Rd98x1/6	25	76.2
89	Rd105x1/6	26	89
102(S)	Rd125x1/4	27	101.6
102(L)	Rd132x1/6	27	101.6



### SMS由任-长型-螺纹接头 Union-long type-male

适用于Suitable for : SMS

货号代码 Cargo code : F030312  
(原代码 Original code : 60016)

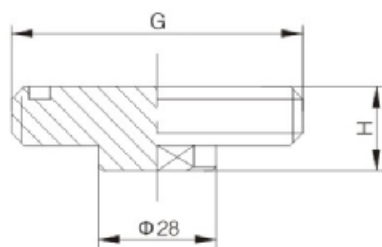


SIZE	尺寸		
	G	H	D
25	Rd40x1/6	19	25.4
38	Rd60x1/6	23	38.1
51	Rd70x1/6	23	50.8
63	Rd85x1/6	27	63.5
76	Rd98x1/6	28	76.2
102(S)	Rd125x1/4	30	101.6
102(L)	Rd132x1/6	44	101.6

### SMS由任-盲螺纹接头 Union-Blind male

适用于Suitable for : SMS

货号代码 Cargo code : F030313

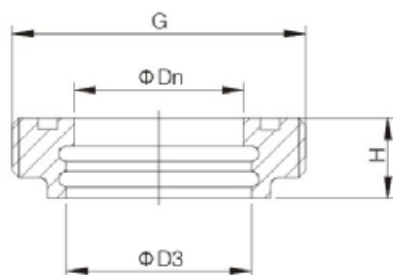


SIZE	尺寸		
	G	H	D
25	Rd40x1/6	19	25.4
32	Rd48x1/6	18	31.8
38	Rd60x1/6	20	38.1
51	Rd70x1/6	20	50.8
63	Rd85x1/6	24	63.5
76	Rd98x1/6	25	76.2
89	Rd105x1/6	26	89
102(S)	Rd125x1/4	27	101.6
102(L)	Rd132x1/6	27	101.6

### SMS由任-膨胀型螺纹接头 Union-Expanded male

适用于Suitable for : SMS

货号代码 Cargo code : F030314  
(原代码 Original code : 70063)



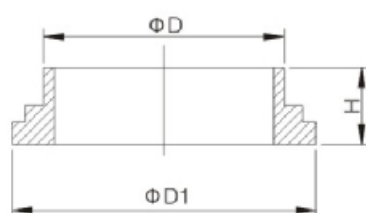
SIZE	尺寸		
	G	H	D3
25	Rd40x1/6	20	25.5
32	Rd48x1/6	20	32.2
38	Rd60x1/6	23	38.3
51	Rd70x1/6	25	51.2
63	Rd85x1/6	30	63.7
76	Rd98x1/6	35	76.4
102(S)	Rd125x1/4	30	102
102(L)	Rd132x1/6	30	104.4

# 由任-SMS Union-SMS

## SMS由任-短型-台阶性平接头 Union-short type-stepped liner

适用于Suitable for : SMS

货号代码 Cargo code : F030331  
(原代码 Original code : 60014)

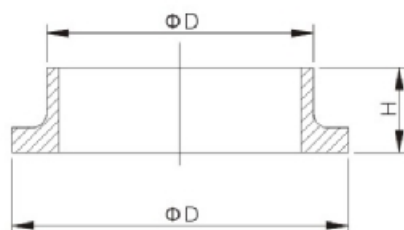


SIZE	尺寸		
	D1	H	D
25	35.5	12	25.4
32	43.5	12	31.8
38	55.5	13	38.1
51	65.5	13	50.8
63	80.5	14	63.5
76	93.5	14	76.2
89	101	15	89
102(S)	118	17	101.6
102(L)	127.5	17	101.6

## SMS由任-短型-圆弧型平接头 Union-short type-circular liner

适用于Suitable for : SMS

货号代码 Cargo code : F030332  
(原代码 Original code : 60013)

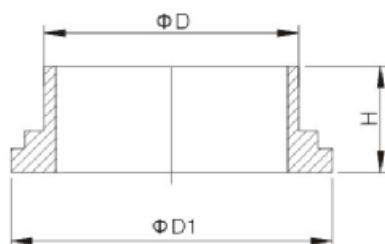


SIZE	尺寸		
	D1	H	D
25	35.5	12	25.4
32	43.5	12	31.8
38	55.5	13	38.1
51	65.5	13	50.8
63	80	14	63.5
76	93	14	76.2
89	101	15	89
102(S)	118	17	101.6
102(L)	127.5	17	101.6

## SMS由任-长型-台阶型平接头 Union-long type-stepped liner

适用于Suitable for : SMS

货号代码 Cargo code : F030333  
(原代码 Original code : 60018)



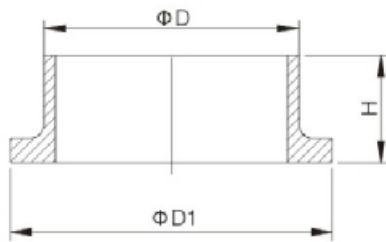
SIZE	尺寸		
	D1	H	D
25	35.5	15	25.4
38	55.5	20	38.1
51	65.5	20	50.8
63	80.5	21	63.5
76	93.5	21	76.2
102(S)	118	21	101.6
102(L)	127.5	21	101.6



### SMS由任-长型-圆弧型平接头 Union-long type-circular liner

适用于Suitable for : SMS

货号代码 Cargo code : F030334  
(原代码 Original code : 60017)

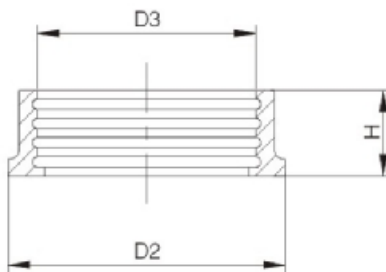


SIZE	尺寸		
	D1	H	D
25	35.5	15	25.4
38	55.5	20	38.1
51	65.5	20	50.8
63	80	21	63.5
76	93	21	76.2
102(S)	118	21	101.6
102(L)	127.5	21	101.6

### SMS由任-膨胀型平接头 Expanded liner

适用于Suitable for : SMS

货号代码 Cargo code : F030335  
(原代码 Original code : 70064)

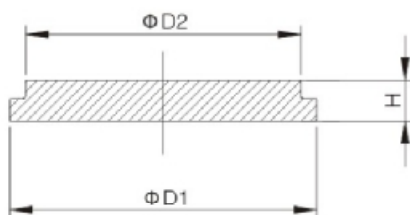


SIZE	尺寸		
	D2	H	D3
25	35.5	17	25.5
32	43.5	17	32.2
38	55	20	38.3
51	65.5	20	51.2
63	80	25	63.7
76	93	30	76.4
102(S)	118	27	102
102(L)	118	27	104.4

### SMS由任-盲平接头 Blind liner

适用于Suitable for : SMS

货号代码 Cargo code : F030336  
(原代码 Original code : 70062)



SIZE	尺寸		
	D1	H	D2
25	35.5	7	31.2
32	43.5	7	39.2
38	55.5	8	47
51	65.5	8	59.5
63	80.5	8	73
76	93.5	8	86
89	101	8	95
102(S)	118	10	112
102(L)	127.5	10	116

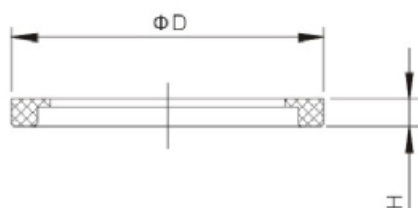


# 由任-SMS Union-SMS

## SMS由任-垫圈(L型)-推荐型 Gasket(Ltype)-recommended

适用于Suitable for : SMS

货号代码 Cargo code : F030362

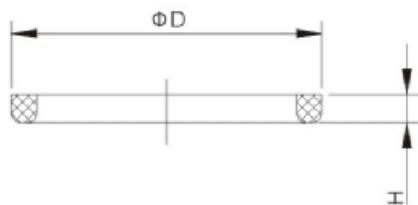


SIZE	尺寸	
	D1	H
19	26	5.5
25	33	5.5
32	40	5.5
38	48	5.5
51	61	5.5
63	73	5.5
76	86	6
89	98	6
102	114	6

## SMS由任-垫圈(D型) Gasket(D type)

适用于Suitable for : SMS

货号代码 Cargo code : F030361

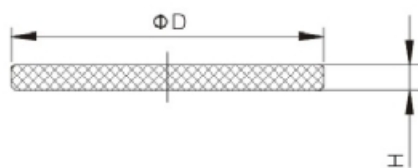


SIZE	尺寸	
	D	H
19	26	5.5
25	33	5.5
32	40	5.5
38	48	5.5
51	61	5.5
63	73	5.5
76	86	6
89	98	6
102	114	6

## SMS由任-盲螺母-垫圈 Blind nut gasket

适用于Suitable for : SMS

货号代码 Cargo code : F030363



SIZE	尺寸	
	D	H
25	40	3
32	48	3
38	60	3
51	70	3
63	85	3
76	98	3
89	105	4
102(S)	125	4
102(L)	132	4

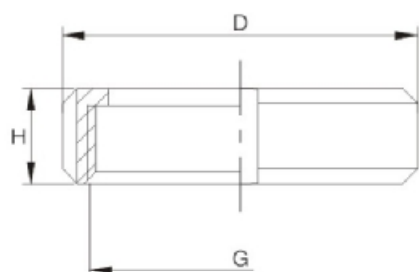
# RJT-由任 RJT-union



## RJT-由任-圆螺母 RJT/union/round nut

适用于Suitable for : RJT-AS/BS

货号代码 Cargo code : F110301  
(原代码 Original code : 60030)

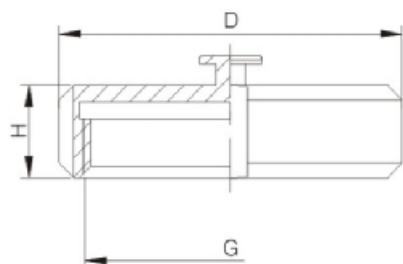


SIZE	尺寸		
	G(WHIT)	H	D
1"	45.7X1/8	22	56
1.5"	58.4X1/8	22	69
2"	72.7X1/6	22	83
2.5"	85.4X1/6	22	97
3"	98.1X1/6	22	110
4"	123.8X1/6	22	136
6"	174.3X1/6	23.5	197

## RJT-由任-盲圆螺母(可带链) RJT/union/blind round nut (with chain)

适用于Suitable for : RJT-AS/BS

货号代码 Cargo code : F110303  
(原代码 Original code : 60038)



SIZE	尺寸		
	G(WHIT)	H	D
1"	45.7X1/8	22	58.5
1.5"	58.4X1/8	22	74
2"	72.7X1/6	22	85.5
2.5"	85.4X1/6	22	98.5
3"	98.1X1/6	22	111.6
4"	123.8X1/6	22	138

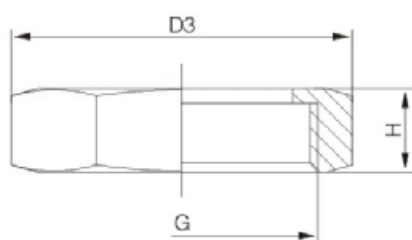
# RJT-由任

## RJT-union

### RJT-由任-六角螺母 RJT/union/hexagon nut

适用于Suitable for : RJT-AS/BS

货号代码 Cargo code : F110305  
(原代码 Original code : 60031)

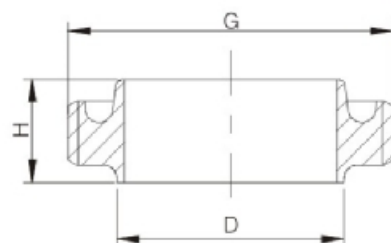


SIZE	尺寸		
	G(WHIT)	H	D3
1"	45.7X1/8	22	58.7
1.5"	58.4X1/8	22	74
2"	72.7X1/6	22	90
2.5"	85.4X1/6	22	105
3"	98.1X1/6	22	120
4"	123.8X1/6	22	150
6"	174.3X1/6	24	203.5

### RJT由任-短型螺纹接头 RJT union/short male

适用于Suitable for : RJT-AS/BS

货号代码 Cargo code : F110311  
(原代码 Original code : 70051)

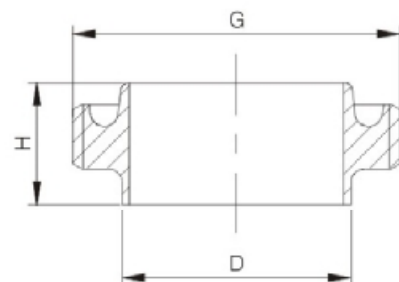


SIZE	尺寸		
	G(WHIT)	H	D
1"	45.7X1/8	21.5	25.65
1.5"	58.4X1/8	21.5	38.35
2"	72.7X1/6	21.5	51.05
2.5"	85.4X1/6	21.5	63.75
3"	98.1X1/6	21.5	76.45
4"	123.5X1/6	21.5	101.85

### RJT由任-长型-螺纹接头 RJT union/long male

适用于Suitable for : RJT-AS/BS

货号代码 Cargo code : F110312  
(原代码 Original code : 60032)

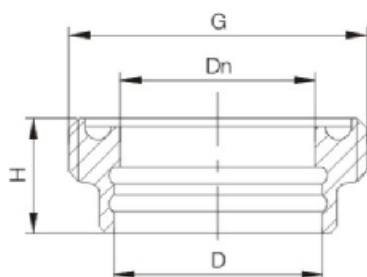


SIZE	尺寸		
	G(WHIT)	H	D
1"	45.7X1/8	27	25.65
1.5"	58.4X1/8	27	38.35
2"	72.7X1/6	27	51.05
2.5"	85.4X1/6	27	63.75
3"	98.1X1/6	27	76.45
4"	123.5X1/6	27	101.85
6"	174.3X1/6	24	152.4

### RJT由任-膨胀型螺纹接头 RJT union/expansive type male

适用于Suitable for : RJT-AS/BS

货号代码 Cargo code : F110314  
(原代码 Original code : 70054)

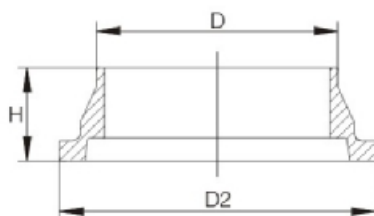


SIZE	尺寸		
	G(WHIT)	H	D
1"	45.7X1/8	20	25.5
1.5"	58.4X1/8	24	38.2
2"	72.7X1/6	28	50.9
2.5"	85.4X1/6	32	63.6
3"	98.1X1/6	32	76.3
4"	123.5X1/6	32	101.7

### RJT由任-短型-平接头 RJT union/short type/liner

适用于Suitable for : RJT-AS

货号代码 Cargo code : F110331  
(原代码 Original code : 60033)

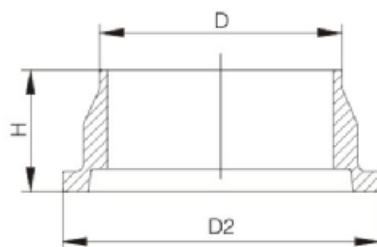


SIZE	尺寸		
	D	D2	H
1"	25.65	41.3	19.5
1.5"	38.35	54	19.5
2"	51.05	66.7	19.5
2.5"	63.75	79.4	19.5
3"	76.45	92.1	19.5
4"	101.85	117.5	19.5
6"	152.4	169.1	23.5

### RJT由任-长型-平接头 RJT union/long type/liner

适用于Suitable for : RJT-AS

货号代码 Cargo code : F110333  
(原代码 Original code : 70050)



SIZE	尺寸		
	D	D2	H
1"	25.65	41.3	27
1.5"	38.35	54	27
2"	51.05	66.7	27
2.5"	63.75	79.4	27
3"	76.45	92.1	27
4"	101.85	117.5	27

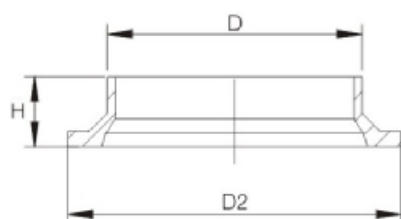
# RJT-由任

## RJT-union

### RJT由任-平接头 RJT union/liner

价格适用于Suitable for ; RJT-BS

货号代码 Cargo code : F110334  
(原代码 Original code : 70056)

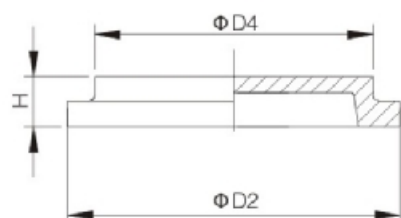


SIZE	尺寸		
	D	D2	H
1"	25.65	41.3	12.7
1.5"	38.35	54	12.7
2"	51.05	66.7	12.7
2.5"	63.75	79.4	12.7
3"	76.45	92.1	12.7
4"	101.85	117.5	25.4

### RJT由任-盲平接头 RJT union/blind liner

适用于Suitable for ; RJT-AS/BS

货号代码 Cargo code : F110336

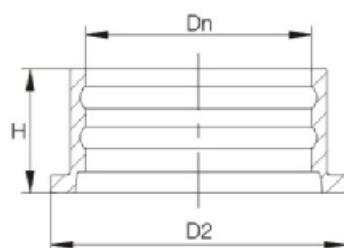


SIZE	尺寸		
	D4	H	D2
1"	32.4	8.2	41.3
1.5"	45.1	8.2	54
2"	57.8	8.2	66.7
2.5"	70.5	8.2	79.4
3"	83.1	8.2	92.1
4"	108.6	8.2	117.5
6"	161.8	8.2	169.1

### RJT由任-膨胀型平接头 RJT union/expansive type liner

适用于Suitable for ; RJT-AS/BS

货号代码 Cargo code : F110335  
(原代码 Original code : 70053)



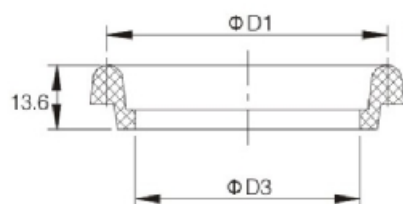
SIZE	尺寸		
	Dn	D2	H
1"	25.5	41.3	20
1.5"	38.2	54	24
2"	50.9	66.7	28
2.5"	63.6	79.4	32
3"	73	92.1	32
4"	97.6	117.5	32



### RJT由任-垫圈(U型) RJT union/gasket(U type)

适用于Suitable for : RJT-AS

货号代码 Cargo code : F110361  
(原代码 Original code : 60043-01)

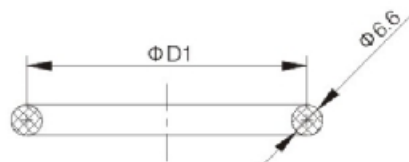


SIZE	尺寸	
	D1	D3
1"	33.3	22.2
1.5"	46	34.9
2"	58.7	47.6
2.5"	71.4	60.3
3"	84.1	73.6
4"	109.5	97.5
6"	162.6	148.5

### RJT由任-垫圈(O型圈) RJT union/gasket(O type)

适用于Suitable for : RJT-AS/BS

货号代码 Cargo code : F110362  
(原代码 Original code : 60043-02)

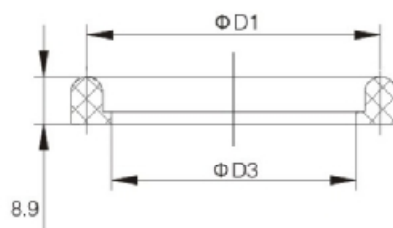


SIZE	尺寸
	D1
1"	33.3
1.5"	46
2"	58.7
2.5"	71.4
3"	84.1
4"	109.5
6"	162.6

### RJT由任-垫圈(L型) RJT union/gasket(L type)

适用于Suitable for : RJT-AS/BS

货号代码 Cargo code : F110363  
(原代码 Original code : 60043-03)



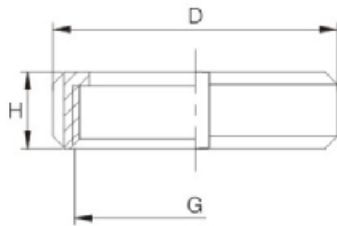
SIZE	尺寸	
	D1	D3
1"	33.3	22.2
1.5"	46	34.9
2"	58.7	47.6
2.5"	71.4	60.3
3"	84.1	73.6
4"	109.5	97.5
6"	162.6	148.5

# ISO-IDF-由任 ISO-IDF-union

## ISO-IDF-由任-圆螺母 ISO/IDF/union/round nut

适用于Suitable for ; ISO-IDF

货号代码 Cargo code : F050301  
(原代码 Original code : 60019)

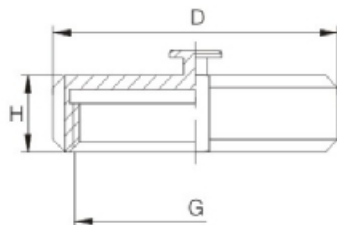


SIZE	尺寸		
	G(ACME)	H	D
1"	38.3x1/8	30	48
1.5"	51.8x1/8	30	62
2"	65.3x1/8	30	76
2.5"	78.8x1/8	30	90
3"	92.3x1/8	30	103
4"(IDF)	127.2x1/8	35	142
4"(ISO)	119.4x1/8	30	133

## ISO-IDF-由任-盲螺母 (可带链) ISO/IDF/union/blind nut(available with chain)

适用于Suitable for ; ISO-IDF

货号代码 Cargo code : F050303

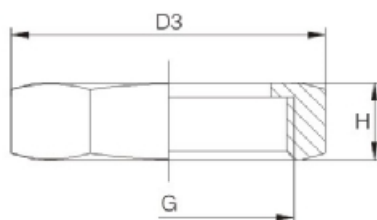


SIZE	尺寸		
	G(ACME)	H	D
1"	38.3x1/8	30	48
1.5"	51.8x1/8	30	62
2"	65.3x1/8	30	76
2.5"	78.8x1/8	30	90
3"	92.3x1/8	30	103
4"(ISO)	119.4x1/8	30	133
4"(IDF)	127.2x1/8	35	142

## ISO-IDF-由任-六角螺母 ISO/IDF/union/hexagon nut

适用于Suitable for ; ISO-IDF

货号代码 Cargo code : F050305  
(原代码 Original code : 60020)



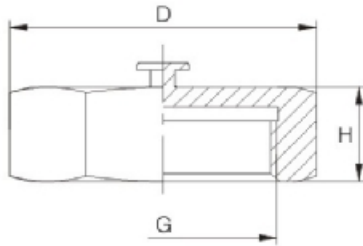
SIZE	尺寸		
	G(ACME)	H	D3
1"	38.3x1/8	30	49.7
1.5"	51.8x1/8	30	65.8
2"	65.3x1/8	30	82
2.5"	78.8x1/8	30	99.3
3"	92.3x1/8	30	115.5
4"(ISO)	119.4x1/8	30	150.1
4"(IDF)	127.2x1/8	35	157



### ISO-IDF-由任-六角盲螺母(可带链) ISO/IDF/union/hexagon blind nut

适用于Suitable for : ISO-IDF

货号代码 Cargo code : F050307

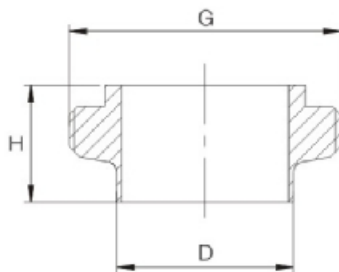


SIZE	尺寸		
	G(ACME)	H	D
1"	38.3x1/8	30	49.7
1.5"	51.8x1/8	30	65.8
2"	65.3x1/8	30	82
2.5"	78.8x1/8	30	99.3
3"	92.3x1/8	30	115.5
4"(IDF)	127.2x1/8	35	157
4"(ISO)	119.4x1/8	30	150.1

### ISO-IDF-由任-螺纹接头 ISO/IDF/union/male

适用于Suitable for : ISO-IDF

货号代码 Cargo code : F050311  
(原代码 Original code : 60021)

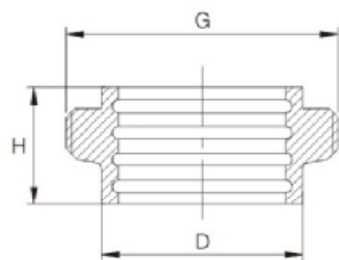


SIZE	尺寸		
	G(ACME)	H	D
1"	37.13x1/8	21.5	25.4
1.5"	50.65x1/8	21.5	38.1
2"	64.16x1/8	21.5	50.8
2.5"	77.7x1/8	21.5	63.5
3"	91.2x1/8	21.5	76.2
4"(IDF)	125.9x1/8	30	101.6
4"(ISO)	118.4x1/8	21.5	102.5

### ISO-IDF-由任-膨胀型螺纹接头 ISO/IDF/union/expansive type male

适用于Suitable for : ISO-IDF

货号代码 Cargo code : F050314  
(原代码 Original code : 70041)



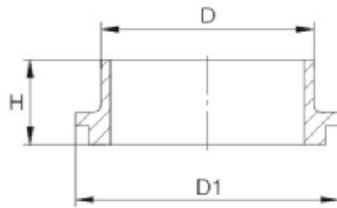
SIZE	尺寸		
	G(ACME)	H	D3
1"	37.13x1/8	16.5	29.2
1.5"	50.65x1/8	19.5	42.7
2"	64.16x1/8	19.5	56.2
2.5"	77.7x1/8	25	69.9
3"	91.2x1/8	30	82.6
4"	125.9x1/8	35	111.1

# ISO-IDF-由任 ISO-IDF-union

## ISO-IDF-由任-平接头 (圆弧) ISO/IDF/union/liner(circular)

适用于Suitable for : ISO-IDF

货号代码 Cargo code : F050332  
(原代码 Original code : 60022)

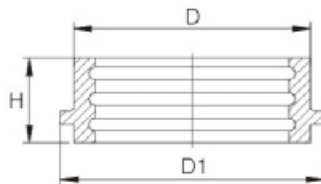


SIZE	尺寸		
	H	D(IDF/ISO)	D1
1"	21.5	25.4	33.8
1.5"	21.5	38.1	47
2"	21.5	50.8	60.5
2.5"	21.5	63.5	74
3"	21.5	76.2	87.5
4"(IDF)	30	101.6	120.6
4"(ISO)	21.5	101.6	114.1

## ISO-IDF-由任-膨胀型平接头 ISO/IDF/union/expansive type liner

适用于Suitable for : ISO-IDF

货号代码 Cargo code : F050335  
(原代码 Original code : 70042)

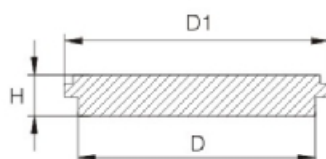


SIZE	尺寸		
	H	D	D1
1"	20	29.2	33.8
1.5"	20	42.7	47
2"	25	56.2	60.5
2.5"	30	69.9	74
3"	30	82.6	87.5
4"	30	111.1	120.6

## ISO-IDF-由任-盲平接头 ISO/IDF/union/blind liner

适用于Suitable for : ISO-IDF

货号代码 Cargo code : F050336  
(原代码 Original code : 70043)



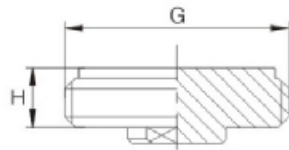
SIZE	尺寸		
	H	D	D1
1"	11	29.2	33.8
1.5"	11	42.7	47
2"	11	56.2	60.5
2.5"	11	69.9	74
3"	11	82.6	87.5
4"(IDF)	11	111.1	120.6
4"(ISO)	11	108.7	114.1



### ISO-IDF-由任-盲螺纹接头 ISO/IDF/union/blind male

适用于Suitable for : ISO-IDF

货号代码 Cargo code : F050313  
(原代码 Original code : 70044)



SIZE	尺寸	
	G(ACME)	H
1"	37.13x1/8	17
1.5"	50.65x1/8	17
2"	64.16x1/8	17
2.5"	77.7x1/8	17
3"	91.2x1/8	17
4"(ISO)	118.4x1/8	17
4"(IDF)	125.9x1/6	17

### ISO-IDF-由任-垫圈 ISO/IDF/union/gasket

适用于Suitable for : ISO-IDF

货号代码 Cargo code : F050361  
(原代码 Original code : 60042)

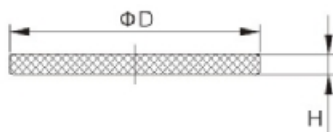


SIZE	尺寸		
	H	D	D1
1"	7	29.2	32.5
1.5"	7	43	46
2"	7	56.5	59.5
2.5"	7	70.2	73
3"	7	82.9	86.5
4"(ISO)	7	104	113.1
4"(IDF)	9.6	111	119

### ISO/DIF-由任-盲螺母垫圈 ISO/IDF/union/blind gasket

适用于Suitable for : 3A

货号代码 Cargo code : F050362



SIZE	尺寸	
	D	H
1"	38	3
1.5"	51	3
2"	65	3
2.5"	78	3
3"	92	3
4"(ISO)	120	4
4"(IDF)	127	4



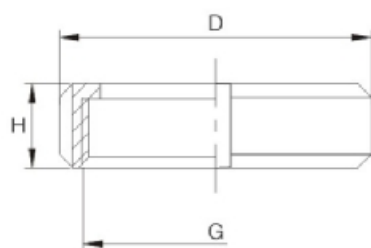


# DS-由任 DS-Union

## DS-由任-圆螺母 DS/Union/Round Nut

适用于Suitable for: DS

货号代码 Cargo code : F080301  
(原代码 Original code : 70020)

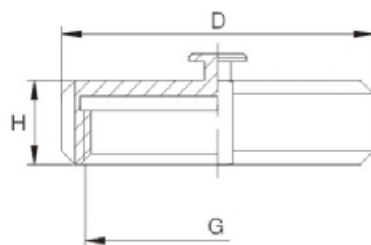


SIZE	尺寸		
	G	H	D
1"	RD44x1/6	20	57
1 1/4"	RD52x1/6	20	65
1 1/2"	RD58x1/6	20	71
2"	RD72x1/6	22	86
2 1/2"	RD88x1/6	24	103
3"	RD100x1/6	25	115
4"	RD130x1/4	31	148

## DS-由任-盲螺母 (带链) DS/Union/Blind Nut(Available with chain)

适用于Suitable for: DS

货号代码 Cargo code : F080303  
(原代码 Original code : 70022)

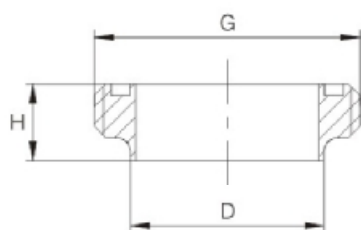


SIZE	尺寸		
	G	H	D
1"	RD44x1/6	20	57
1 1/4"	RD52x1/6	20	65
1 1/2"	RD58x1/6	20	71
2"	RD72x1/6	22	86
2 1/2"	RD88x1/6	24	103
3"	RD100x1/6	25	115
4"	RD130x1/4	31	148

## DS-由任-短型-螺纹接头 DS/Union/Short Male

适用于Suitable for: DS

货号代码 Cargo code : F080311  
(原代码 Original code : 70024)

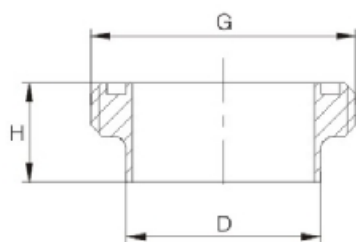


SIZE	尺寸		
	G	H	D
1"	RD44x1/6	18.5	25
1 1/4"	RD52x1/6	18.5	32
1 1/2"	RD58x1/6	20	38
2"	RD72x1/6	20	51
2 1/2"	RD88x1/6	24	63.5
3"	RD100x1/6	24	76
4"	RD130x1/4	24	101.6

### DS-由任-长型-螺纹接头 DS/Union/Long Male

适用于Suitable for: DS

货号代码 Cargo code : F080312  
(原代码 Original code : 70023)

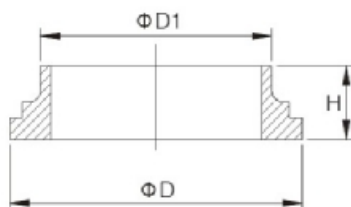


SIZE	尺寸		
	G	H	D
1"	RD44x1/6	20	25
1 1/4"	RD52x1/6	20	32
1 1/2"	RD58x1/6	22	38
2"	RD72x1/6	24	51
2 1/2"	RD88x1/6	26	63.5
3"	RD100x1/6	28	76
4"	RD130x1/4	34	101.6

### DS-由任-短型-平接头(圆弧) DS/Union/Short Liner(Arc)

适用于Suitable for: DS

货号代码 Cargo code : F080332  
(原代码 Original code : 70026)

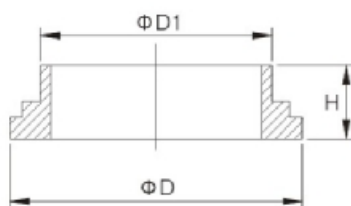


SIZE	尺寸		
	H	D	D1
1"	11	39.5	25
1.5"	11	53.5	38
2"	11	67.5	51
2.5"	12	83.5	63.5
3"	12	95.5	76
4"	12	123.5	101.6

### DS-由任-长型-平接头(台阶) DS/Union/Long Liner(Step)

适用于Suitable for: DS

货号代码 Cargo code : F080333  
(原代码 Original code : 70025)



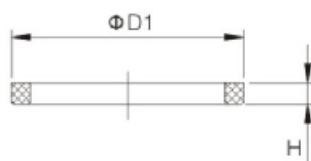
SIZE	尺寸		
	H	D	D1
1"	16	39.5	25
1.25"	16	47.5	32
1.5"	18	53.5	38
2"	20	67.5	51
2.5"	22	83.5	63.5
3"	24	95.5	76
4"	30	123.5	101.6

# DS-由任 DS-Union

## DS-由任-活接头密封垫 DS/Union/Gasket

适用于Suitable for: DS

货号代码 Cargo code : F080361  
(原代码 Original code : 70029)

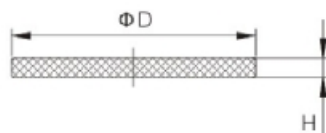


SIZE	尺寸		
	H	D	D1
1"	5.5	25.2	32.2
1.25"	5.5	31.7	41
1.5"	5.5	38	47
2"	5.5	50.5	59
2.5"	5.5	63.5	74.5
3"	5.5	76	88
4"	5.5	101.6	116

## DS-由任-盲螺母垫圈 DS/Union/Blind Nut Gasket

适用于Suitable for: DS

货号代码 Cargo code : F080362



SIZE	尺寸	
	H	D
1"	3	44
1.25"	3	52
1.5"	3	58
2"	3	72
2.5"	3	88
3"	3	100
4"	4	130



## 3A-由任 3A-Union



斜座式由任，由螺母、螺纹接头、平接头组成，能够承受每天拆装清洗，重新组装管路和设备。  
规格：1-4"  
材质：304/316L  
粗糙度：Ra0.8 μm  
认证：3A-63-03

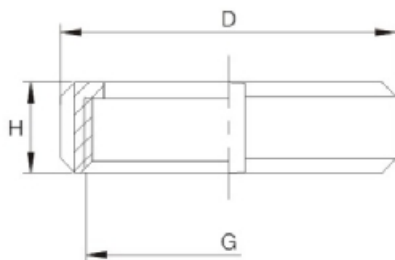


Bevel Seat Union is made up of nut and male and liner. It can accept every day disassembly cleaning and re-assembly pipe and equipment.  
Size: 1-4"  
Material: 304/316L  
Roughness: Ra0.8 μm  
Certification: 3A-63-03

### 3A-由任-圆螺母 3A/Union/Round Nut

适用于Suitable for: 3A

货号代码 Cargo code : F040301  
(原代码 Original code : 60096)

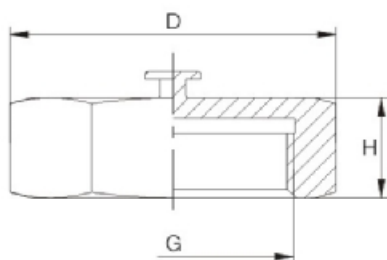


SIZE	尺寸		
	G(ACME)	H	D
1"	38.02x1/8	23	48
1.5"	51.54x1/8	24.6	62
2"	65.05x1/8	27	75
2.5"	78.56x1/8	29.6	90
3"	92.08x1/8	32.5	103
4"	120.14x1/6	38.1	132

### 3A-由任-盲型六角螺母 3A/Union/Blind Hexagon Nut

适用于Suitable for: 3A

货号代码 Cargo code : F040307



SIZE	尺寸		
	G(ACME)	H	D
1"	38.02x1/8	23	52
1.5"	51.54x1/8	24.6	70.6
2"	65.05x1/8	27	88
2.5"	78.56x1/8	29.6	105.5
3"	92.08x1/8	32.5	122.9
4"	120.14x1/6	38.1	158.9

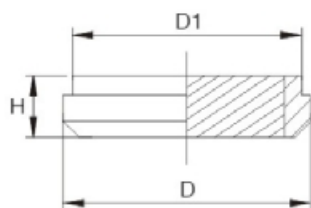
# 3A-由任

## 3A-Union

### 3A-由任-盲平接头 3A/Union/Blind Liner

适用于Suitable for: 3A

货号代码 Cargo code : F040336  
(原代码 Original code : 60095)

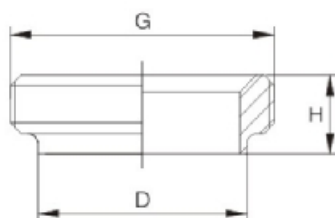


SIZE	尺寸		
	H	D	D1
1"	11.9	33.3	29.5
1.5"	14.3	46.8	42.6
2"	15.9	60.3	55.7
2.5"	16.7	73.8	68.8
3"	18.3	87.3	81.9
4"	20.6	114.3	108.1

### 3A-由任-短型-螺纹接头 3A/Union/Male(Short)

适用于Suitable for: 3A

货号代码 Cargo code : F040311  
(原代码 Original code : 70103)

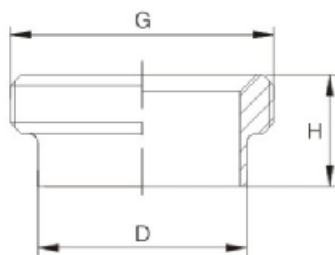


SIZE	尺寸		
	G(ACME)	H	D
1"	37.13x1/8	18.3	25.4
1.5"	50.65x1/8	18.3	38.1
2"	64.1x1/8	19.1	50.8
2.5"	77.6x1/8	22.3	63.5
3"	91.1x1/8	23.1	76.2
3.5"	105.5x1/6	23.1	88.9
4"	119.25x1/6	26.2	101.6

### 3A-由任-长型-螺纹接头 3A/Union/Male(Long)

适用于Suitable for: 3A

货号代码 Cargo code : F040312  
(原代码 Original code : 70102)

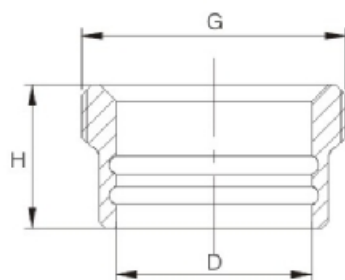


SIZE	尺寸		
	G(ACME)	H	D
1"	37.13x1/8	34.9	25.4
1.5"	50.65x1/8	38.1	38.1
2"	64.1x1/8	38.1	50.8
2.5"	77.6x1/8	44.5	63.5
3"	91.1x1/8	44.5	76.2
4"	119.25x1/6	44.5	101.6

### 3A-由任-膨胀型螺纹接头 3A/Union/Expanded Male

适用于Suitable for: 3A

货号代码 Cargo code : F040314  
(原代码 Original code : 70101)

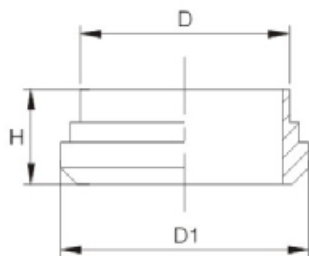


SIZE	尺寸		
	G(ACME)	H	D
1"	37.13x1/8	20.6	22.2
1.5"	50.65x1/8	28.6	34.9
2"	64.1x1/8	34.9	47.6
2.5"	77.6x1/8	38.1	60.3
3"	91.1x1/8	41.3	73
4"	119.25x1/6	41.3	97.6

### 3A-由任-短型-台阶型平接头 3A/Union/Stepped Liner(Short)

适用于Suitable for: 3A

货号代码 Cargo code : F040331  
(原代码 Original code : 60094)

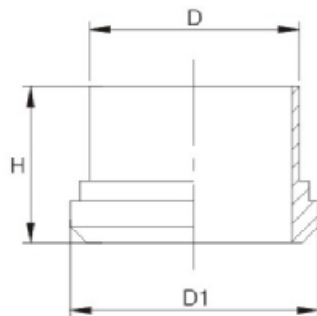


SIZE	尺寸		
	H	D	D1
1"	18.3	25.4	33.3
1.5"	18.3	38.1	46.8
2"	19.1	50.8	60.3
2.5"	22.3	63.5	73.8
3"	23.1	76.2	87.3
4"	26.2	101.6	114.3

### 3A-由任-长型-台阶型平接头 3A/Union/Stepped Liner(long)

适用于Suitable for: 3A

货号代码 Cargo code : F040333  
(原代码 Original code : 60093)



SIZE	尺寸		
	H	D	D1
1"	34.9	25.4	33.3
1.5"	38.1	38.1	46.8
2"	38.1	50.8	60.3
2.5"	44.5	63.5	73.8
3"	44.5	76.2	87.3
4"	44.5	101.6	114.3

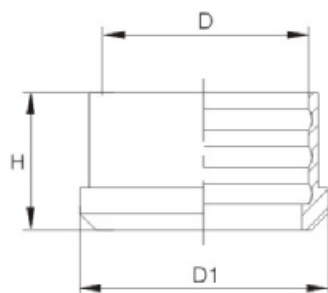


## 3A-由任 3A-Union

### 3A-由任-膨胀型平接头 3A/Union/Expanded Liner

适用于Suitable for: 3A

货号代码 Cargo code : F040335  
(原代码 Original code : 60092)

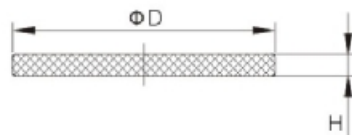


SIZE	尺寸		
	H	D	D1
1"	19.1	25.5	33.3
1.5"	28.6	38.2	46.8
2"	33.3	50.9	60.3
2.5"	34.9	63.6	73.8
3"	36.5	76.3	87.3
4"	38.1	101.7	114.3

### 3A-由任-盲螺母垫圈 3A/Union/Blind Nut Gasket

适用于Suitable for: 3A

货号代码 Cargo code : F040361



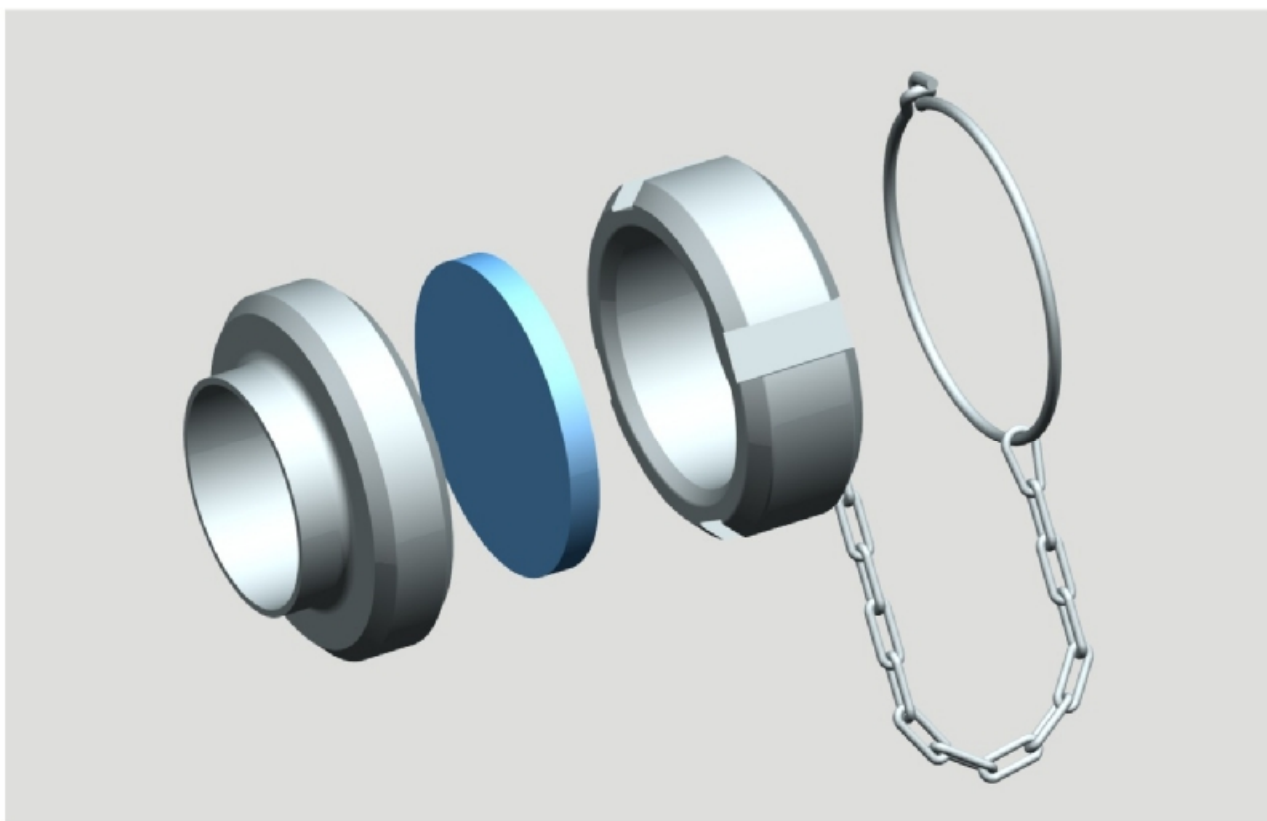
SIZE	尺寸	
	D	H
1"	38	3
1.5"	51	3
2"	65	3
2.5"	78	3
3"	92	3
4"	120	4



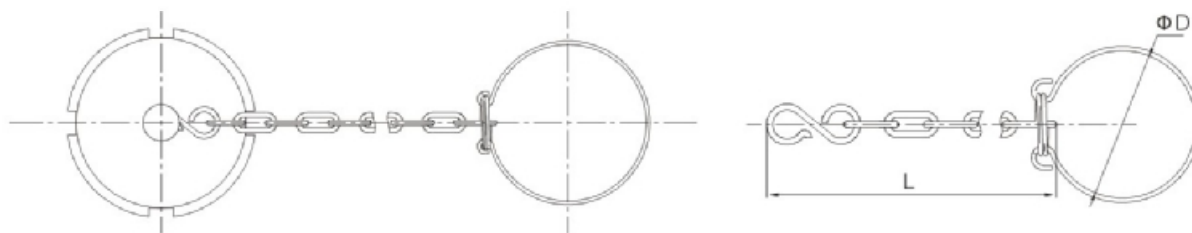
# 链条组件

## Chain components

### 盲螺母带链条 Blind nut with chain

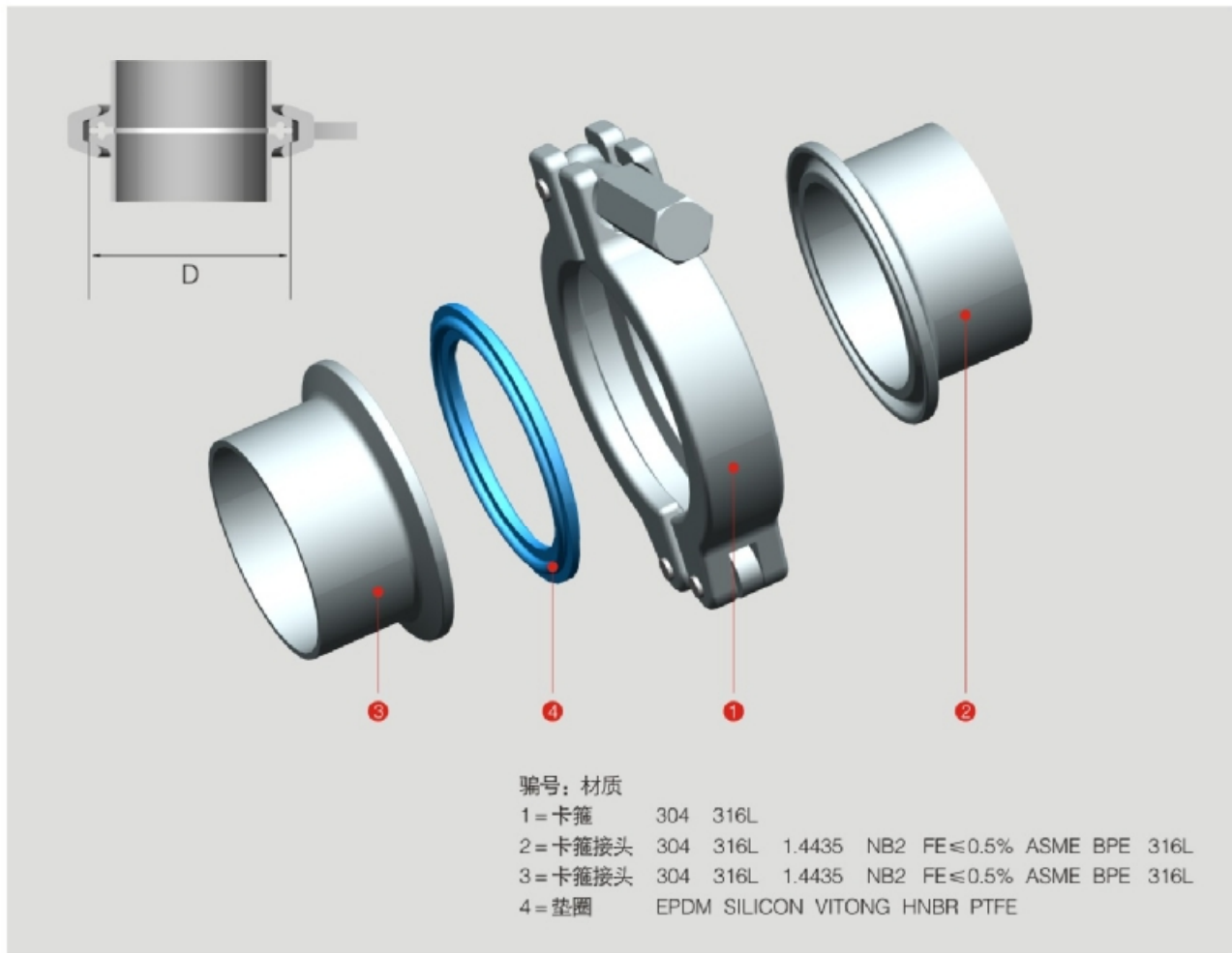


货号代码 Cargo code : F000371 适用于所有标准盲螺母 Apply for all standraded Blind Nut



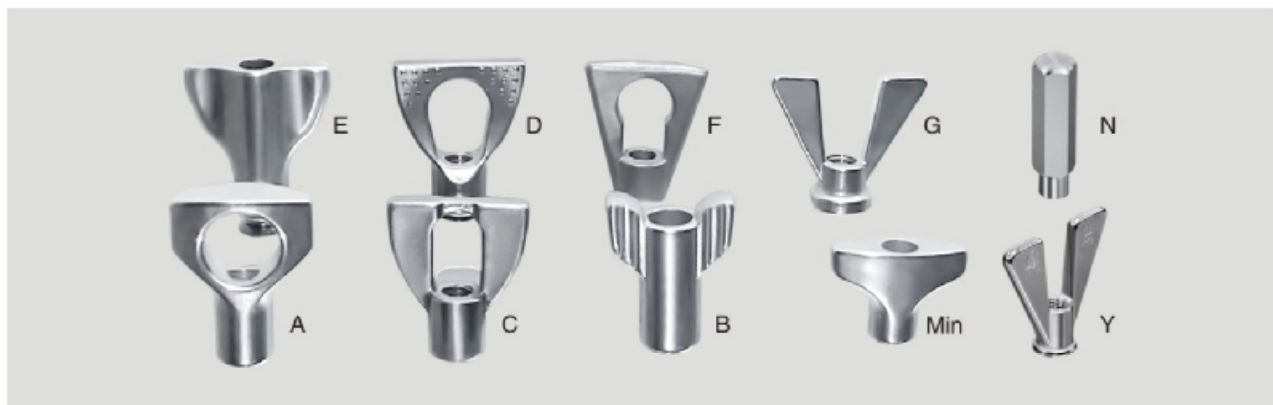
SIZE		尺寸	
		D	L
1'-1.5'	DN10-DN40	45	167
2'-2.5'	DN50	68	167
/	DN65	106	167
3'-4'	DN80-DN100	156	213
/	DN125-DN150	156	213

# 卡箍系列 Clamp series



## 各种卡箍螺母 All kinds of clamp nut

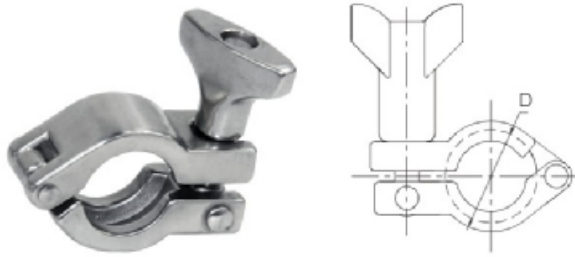
适用于所有的卡箍 Suitable for all clamps



**MINI -单销卡箍-(推荐型)**  
**MINI/Single Pin Clamp(Recommended)**

适用于Suitable for: 3A/ISO/IDF/BS/BPE/AS/DIN

代码 Cargo code : F040241



SIZE		卡盘	304	
			单重(g)	
1/2-3/4"	DN10-20	25.2	130	
1/2-3/4"	DN10-20	34	135	

**单销卡箍-A型(推荐型)**  
**Single Pin Clamp/A Type(Recommended)**

适用于Suitable for: 3A/ISO/IDF/BS/BPE/AS/DIN

代码 Cargo code : F040242



SIZE		卡盘	中型(g)-304	
			单重(g)	
1'-1.5'	DN25-40	50.5	195	
2"	DN50	64	225	
2.5"	-	77.5	270	
3"	DN65	91	308	
3.5"	DN80	106	360	
4"	DN100	119	410	
4.5"	-	130	505	

螺母可任意选择, 注意“E型”螺母需要加价。

**单销卡箍-B型(选型) Single Pin Clamp/B Type(Option)**

适用于Suitable for: 3A/ISO/IDF/BS/BPE/AS/DIN

代码 Cargo code : F040243



SIZE		卡盘	中型(g)-304	重型(g)-304
			单重(g)	
1'-1.5'	DN25-40	50.5	200.0	225
2"	DN50	64	245.0	270
2.5"	-	77.5	285.0	300
3"	DN65	91	290.0	318
3.5"	DN80	106	372.0	410
4"	DN100	119	385.0	445
4.5"	-	130		505
5"	DN125	145		805
5.5"	DN125	155		750
6"	DN150	166.7		870
6.5"	DN150	183		890
8"	DN200	217		1200
8.5"	-	240		1400
10"	DN250	268		2150
12"	DN300	319		2300

螺母可任意选择, 注意“E型”螺母需要加价。

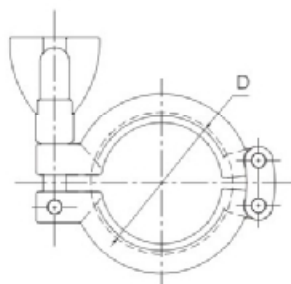
# 卡箍系列

## Clamp series

### 双销卡箍-A型(推荐型) Double Pin Clamp/A Type(Recommended)

适用于Suitable for: 3A/ISO/IDF/BS/BPE/AS/DIN

代码 Cargo code : F040251



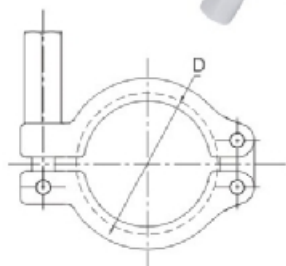
SIZE		卡盘	304
			单重(g)
1"-1.5"	DN25-40	50.5	218
2"	DN50	64	272
2.5"	-	77.5	302
3"	DN65	91	333
3.5"	DN80	106	370
4"	DN100	119	428
4.5"	-	130	446
5"	DN125	145	580
5.5"	DN125	155	775
6"	DN150	166.7	920
6.5"	DN150	183	980
8"	DN200	217	1223
10"	DN250	268	1820
12"	DN300	319	-

螺母可任意选择, 注意“E型”螺母需要加价。

### 双销卡箍-B型(选型) Double Pin Clamp/B Type(Option)

适用于Suitable for: 3A/ISO/IDF/BS/BPE/AS/DIN

代码 Cargo code : F040252



SIZE		卡盘	304
			单重(g)
1"-1.5"	DN25-40	50.5	250
2"	DN50	64	350
2.5"	-	77.5	384
3"	DN65	91	420
3.5"	DN80	106	475
4"	DN100	119	500
4.5"	-	130	640
5"	DN125	145	800
6"	DN150	166.7	1200
6.5"	DN150	183	1290
8"	DN200	217	1550

螺母可任意选择, 注意“E型”螺母需要加价。



### 双销卡箍-C型(选型) Double Pin Clamp/C Type(Option)

适用于Suitable for: 3A/ISO/IDF/BS/BPE/AS/DIN

代码 Cargo code : F040253



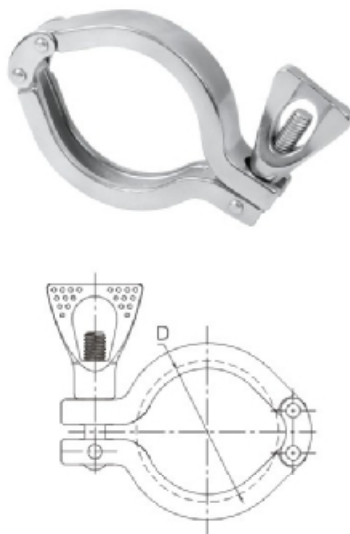
SIZE		卡盘	304
			单重(g)
1'-1.5'	DN25-40	50.5	247
2"	DN50	64	279
2.5"	-	77.5	325
3"	DN65	91	360
3.5"	DN80	106	400
4"	DN100	119	435
4.5"	-	130	452
5"	DN125	145	900
5.5"	DN125	155	1050
6"	DN150	166.7	1125
6.5"	DN150	183	1215
8"	DN200	217	1350
10"	DN250	268	1710
12"	DN300	319	2000

螺母可任意选择, 注意“E型”螺母需要加价。

### 双销卡箍-D型(选型) Double Pin Clamp/D Type(Option)

适用于Suitable for: 3A/ISO/IDF/BS/BPE/AS/DIN

代码 Cargo code : F040254



SIZE		卡盘	304
			单重(g)
1'-1.5'	DN25-40	50.5	247
2"	DN50	64	279
2.5"	-	77.5	325
3"	DN65	91	360
3.5"	DN80	106	400
4"	DN100	119	435
4.5"	-	130	452
5"	DN125	145	900
5.5"	DN125	155	1050
6"	DN150	166.7	1125
6.5"	DN150	183	1215
8"	DN200	217	1350
10"	DN250	268	1710
12"	DN300	319	2000

螺母可任意选择, 注意“E型”螺母需要加价。

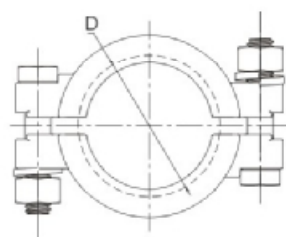


# 卡箍系列 Clamp series

## 高压卡箍-(推荐型) High Pressure Clamp(Recommended)

适用于Suitable for: 3A/ISO/IDF/BS/BPE/AS/DIN

代码 Cargo code : F040261



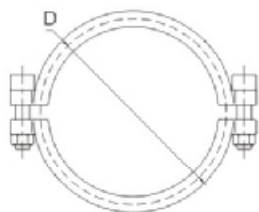
SIZE		卡盘	304
			单重(g)
1/2"-3/4"	DN10-20	25.2	135
1"-1.5"	DN25-40	50.5	355
2"	DN50	64	440
2.5"	-	77.5	490
3"	DN65	91	555
4"	DN100	119	660
5"	DN125	145	1010
6"	DN150	166.7	1090
6.5"	DN150	183	1285
8"	DN200	217	1550
8.5"	-	240	1560
10"	DN250	268	1910
12"	DN300	319	2430

价格已经包含了, 螺母, 螺栓, 垫片。

## 二片卡箍-(推荐型) 2-pcs Clamp(Recommended)

适用于Suitable for: 3A/ISO/IDF/BS/BPE/AS/DIN

代码 Cargo code : F040262



SIZE		卡盘	304
			单重(g)
1"-1.5"	DN25-40	50.5	210
2"	DN50	64	266
2.5"	-	77.5	315
3"	DN65	91	335
3.5"	DN80	106	400
4"	DN100	119	475
4.5"	-	130	570
5"	DN125	145	955
6"	DN150	166.7	990
6.5"	DN150	183	-
8"	DN200	217	1440
10"	DN250	268	2440
11"	-	305	-
12"	DN300	319	2880

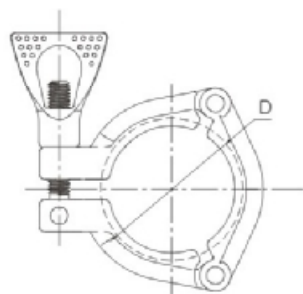
价格已经包含了, 螺母, 螺栓, 垫片。



### 三片卡箍-A型(推荐型) 3-pcs Clamp/A Type(Recommended)

适用于Suitable for: 3A/ISO/IDF/BS/BPE/AS/DIN

代码 Cargo code : F040263



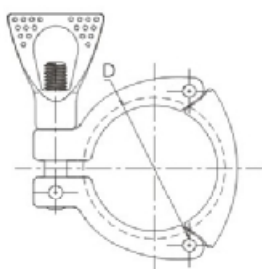
SIZE		卡盘	304
			单重(g)
1"-1.5"	DN25-40	50.5	210
2"	DN50	64	266
2.5"	-	77.5	315
3"	DN65	91	335
3.5"	DN80	106	400
4"	DN100	119	475
4.5"	-	130	570
5"	DN125	145	955
6"	DN150	166.7	990
6.5"	DN150	183	-
8"	DN200	217	1440
10"	DN250	268	2440
11"	-	305	-
12"	DN300	319	2880

螺母可任意选择, 注意“E型”螺母需要加价。

### 三片卡箍-B型 3-pcs Clamp/B Type

适用于Suitable for: 3A/ISO/IDF/BS/BPE/AS/DIN

代码 Cargo code : F040264



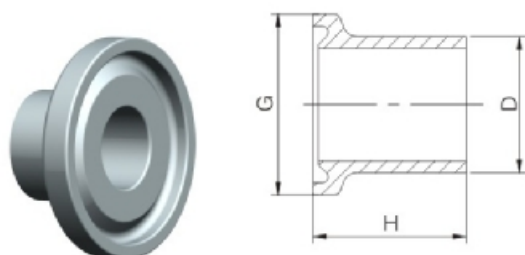
SIZE		卡盘
1"-1.5"	DN25-40	50.5
2"	DN50	64
2.5"	-	77.5
3"	DN65	91
3.5"	DN80	106
4"	DN100	119
4.5"	-	130
5"	DN125	145
6"	DN150	166.7
6.5"	DN150	183
8"	DN200	217
10"	DN250	268
11"	-	305
12"	DN300	319

螺母可任意选择, 注意“E型”螺母需要加价。

# 卡箍接头 Clamp connector

## 卡箍接头-A型(微型) Clamp Connector/A Type(MINI)

适用于Suitable for: 3A BS4825-3 AS1528



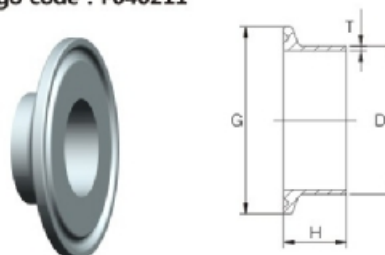
SIZE	尺寸			壁厚
	G	H	D	
<b>货号代码 Cargo code : F040201</b>				
1/2"	25.0	12.7	12.7	1.65
3/4"	25.0	12.7	19.1	1.65
DN6	25.0	12.7	8.0	
DN8	25.0	12.7	10.0	
10.2	25.0	12.7	10.2	1.60
13.5	25.0	12.7	13.5	1.60
17.2	25.0	12.7	17.2	1.60
<b>货号代码 Cargo code : F040202</b>				
1/2"	25.0	21.5	12.7	1.65
3/4"	25.0	21.5	19.1	1.65
<b>货号代码 Cargo code : F040203</b>				
1/2"	25.0	28.6	12.7	1.65
3/4"	25.0	28.6	19.1	1.65
10.2	25.0	28.6	10.2	1.60
13.5	25.0	28.6	13.5	1.60
17.2	25.0	28.6	17.2	1.60



## 卡箍接头-B型 Clamp Connector/B Type

适用于Suitable for: 3A BS4825-3 AS1528 ( 14WMP )

货号代码 Cargo code : F040211

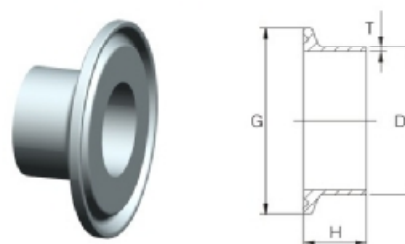


SIZE	尺寸			壁厚T
	G	H	D	
1/2"	50.50	12.70	12.70	1.65
3/4"	50.50	12.70	19.10	1.65
1"	50.50	12.70	25.40	1.65
1.5"	50.50	12.70	38.10	1.65
2"	64.00	12.70	50.80	1.65
2.5"	77.50	12.70	63.50	1.65
3"	91.00	12.70	76.20	1.65
4"	119.00	15.80	101.60	2.10
6"	167.00	22.20	152.40	2.77

## 卡箍接头-B型 Clamp Connector/B Type

适用于Suitable for: 3A BS4825-3 AS1528(14MMP)

货号代码 Cargo code : F040212

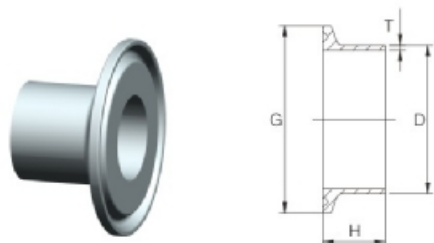


SIZE	尺寸			壁厚
	G	H	D	
1/2"	50.50	21.50	12.70	1.65
3/4"	50.50	21.50	19.10	1.65
1"	50.50	21.50	25.40	1.65
1.5"	50.50	21.50	38.10	1.65
2"	64.00	21.50	50.80	1.65
2.5"	77.50	21.50	63.50	1.65
3"	91.00	21.50	76.20	1.65
4"	119.00	21.50	101.60	2.10
6"	167.00	21.50	152.40	2.77

### 卡箍接头-B型 Clamp Connector/B Type

适用于Suitable for: 3A BS4825-3 AS1528 (14AMP)

货号代码 Cargo code : F040213

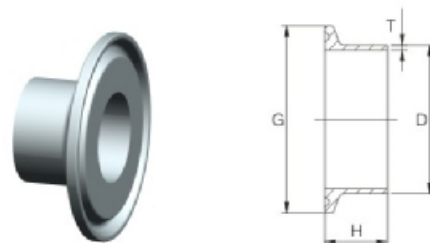


SIZE	尺寸			壁厚
	G	H	D	
1/2"	50.50	28.60	12.70	1.65
3/4"	50.50	28.60	19.10	1.65
1"	50.50	28.60	25.40	1.65
1.5"	50.50	28.60	38.10	1.65
2"	64.00	28.60	50.80	1.65
2.5"	77.50	28.60	63.50	1.65
3"	91.00	28.60	76.20	1.65
4"	119.00	28.60	101.60	2.10
6"	167.00	38.10	152.40	2.77

### 卡箍接头-B型 Clamp Connector/B Type

适用于Suitable for: ISO2852 SMS 3017

货号代码 Cargo code : F030212

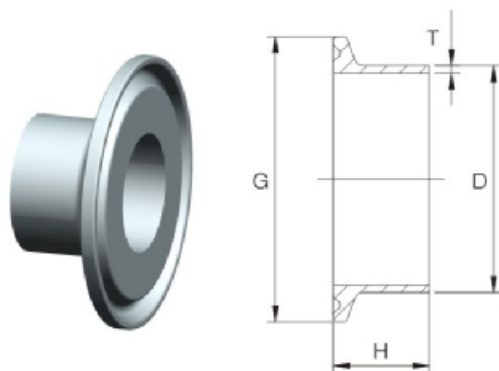


SIZE	尺寸			壁厚	
	G	H	D	推荐	选项
25.4	50.5	21.5	25.4	1.50	1.25
31.8	50.5	21.5	31.8	1.50	1.25
38.1	50.5	21.5	38.1	1.50	1.25
50.8	64.0	21.5	50.8	1.50	1.25
63.5	77.5	21.5	63.5	2.00	1.60
76.2	91.0	21.5	76.2	2.00	1.60
101.6	106.0	21.5	101.6	2.00	2.00

### 卡箍接头-推荐 Clamp Connector(Recommended)

适用于Suitable for: DIN32676-A (OD=DIN11850; DIN11866-A) -短型 (KK)

货号代码 Cargo code : F020212



SIZE	尺寸		推荐	二系列	壁厚
	G	H			
DN10	34.0	18.0	12.0	13.0	1.5
DN15	34.0	18.0	18.0	19.0	1.5
DN20	34.0	18.0	22.0	23.0	1.5
DN25	50.5	21.5	28.0	29.0	1.5
DN32	50.5	21.5	34.0	35.0	1.5
DN40	50.5	21.5	40.0	41.0	1.5
DN50	64.0	21.5	52.0	53.0	1.5
DN65	91.0	28.0	70.0	-	2.00
DN80	106.0	28.0	85.0	-	2.00
DN100	119.0	28.0	104.0	-	2.00
DN125	145.0	28.0	129.0	-	2.00
DN125	155.0	28.0	129.0	-	2.00
DN150	167.0	28.0	154.0	-	2.00
DN150	183.0	28.0	154.0	-	2.00
DN200	217.7	28.0	204.0	-	2.00
DN200	233.5	28.0	204.0	-	2.00
DN250	268.0	28.0	254.0	-	2.00
DN300	319.0	28.0	304.0	-	2.00

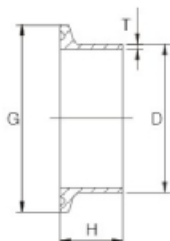


# 卡箍接头 Clamp connector

## 卡箍接头 Clamp Connector

适用于Suitable for: DIN32676-A(OD=DIN11850-2;  
DIN11866-A)-长型(KL)

货号代码 Cargo code : F020213

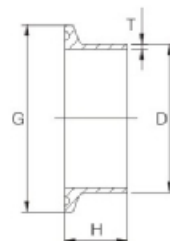


SIZE	尺寸		推荐	二系列	壁厚
	G	H			
DN10	34.0	28.6	12.0	13.0	1.5
DN15	34.0	28.6	18.0	19.0	1.5
DN20	34.0	28.6	22.0	23.0	1.5
DN25	50.5	36.0	28.0	29.0	1.5
DN32	50.5	36.0	34.0	35.0	1.5
DN40	50.5	36.0	40.0	41.0	1.5
DN50	64.0	36.0	52.0	53.0	1.5
DN65	91.0	48.0	70.0	-	2.00
DN80	106.0	48.0	85.0	-	2.00
DN100	119.0	48.0	104.0	-	2.00
DN125	145.0	66.0	129.0	-	2.00
DN125	155.0	66.0	129.0	-	2.00
DN150	167.0	66.0	154.0	-	2.00
DN150	183.0	66.0	154.0	-	2.00
DN200	217.7	66.0	204.0	-	2.00
DN200	233.5	66.0	204.0	-	2.00

## 卡箍接头 Clamp Connector

适用于Suitable for: DIN 32676-B  
(OD=ISO 1127& DIN 11866-B) -短型(KK)

货号代码 Cargo code : F070212



SIZE	尺寸			壁厚
	G	H	D	
21.3	50.5	21.5	21.3	1.60
26.9	50.5	21.5	26.9	2.00
33.7	50.5	21.5	33.7	2.00
42.4	64.0	21.5	42.4	2.00
45.0	64.0	21.5	45.0	2.00
48.3	64.0	21.5	48.3	2.00
57.0	77.5	21.5	57.0	2.00
60.3	77.5	28.0	60.3	2.00
76.1	91.0	28.0	76.1	2.00
88.9	106.0	28.0	88.9	2.30
108.0	119.0	28.0	108.0	2.00
114.3	130.0	28.0	114.3	2.30
133.0	155.0	28.0	133.0	3.00
139.7	155.0	28.0	139.7	2.60
159.0	183.0	28.0	159.0	3.00
168.3	183.0	28.0	168.3	2.60
219.1	233.5	28.0	219.1	2.60

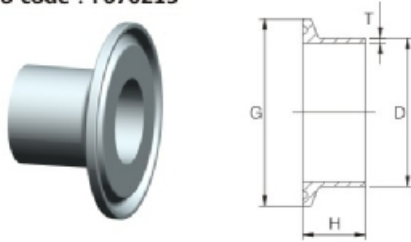




### 卡箍接头 Clamp Connector

适用于Suitable for: DIN 32676-B  
(OD=ISO 1127& DIN 11866-B)-长型(KL)

货号代码 Cargo code : F070213

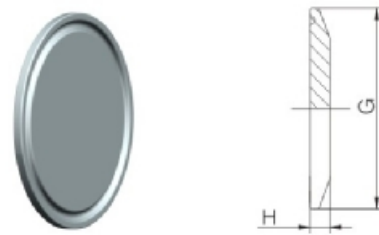


SIZE	尺寸			壁厚
	G	H	D	
21.3	50.5	36	21.3	1.60
26.9	50.5		26.9	2.00
33.7	50.5		33.7	2.00
42.4	64.0		42.4	2.00
45.0	64.0		45.0	2.00
48.3	64.0		48.3	2.00
57.0	77.5		57.0	2.00
60.3	77.5		60.3	2.00
76.1	91.0		76.1	2.00
88.9	106.0		88.9	2.30
108.0	119.0	48	108.0	2.00
114.3	130.0		114.3	2.30
133.0	155.0		133.0	3.00
139.7	155.0		139.7	2.60
159.0	183.0		159.0	3.00
168.3	183.0		168.3	2.60
219.1	233.5		219.1	2.60

### 卡箍堵头-B型 Clamp Cap/A Type

适用于Suitable for: DIN SMS ISO BS 3A

货号代码 Cargo code : F020232



SIZE	卡盘G	长度H
17.2	DN10	34.00
-	DN15	34.00
-	DN20	34.00
21.3	-	50.50
26.9	-	50.50
33.7	DN25	50.50
-	DN32	50.50
-	DN40	50.50
42.4	DN50	64.00
45.0	-	64.00
48.3	-	64.00
57.0	-	77.50
60.3	-	77.50
76.1	DN65	91.00
88.9	DN80	106.00
108.0	DN100	119.00
114.3	-	130.00
133.0	DN125	145.00
139.7	DN125	155.00
-	DN150	167.00
159.0	DN150	183.00
168.3	DN200	217.70
219.1	DN200	233.50
-	DN250	268.00
-	DN300	319.00

### 卡箍堵头-A型 Clamp Cap/B Type

适用于Suitable for: DIN SMS ISO BS 3A

货号代码 Cargo code : F040231



SIZE	卡盘G	长度H
10.2	DN6	25.00
13.5	DN8	25.00

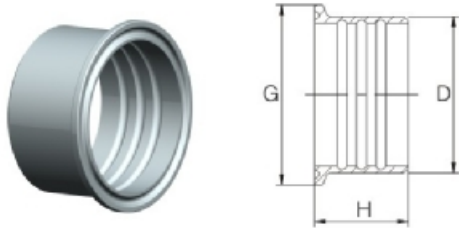


# 卡箍接头 Clamp connector

## 膨胀式卡箍接头 Expanded Clamp Connector

适用于Suitable for: 3A BS4825-3 As1528

货号代码 Cargo code : F040214

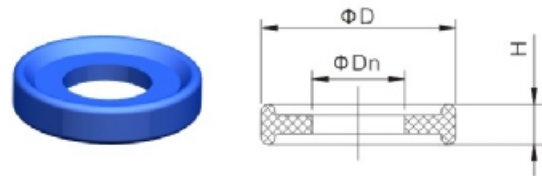


SIZE	尺寸		
	G	H	D
1"	50.50	19.10	29.50
1.5"	50.50	28.60	42.50
2"	64.00	33.30	55.70
2.5"	77.50	34.90	68.80
3"	91.00	36.50	82.00
4"	119.00	38.10	108.00

## 卡箍垫圈-A型 Clamp Gasket/A Type

适用于Suitable for: DIN SMS ISO BS 3A

货号代码 Cargo code : F040221

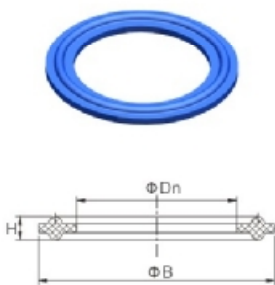


SIZE			D
10.2	DN6	1/2"	21.8
13.5	DN8	3/4"	21.8

## 卡箍垫圈-B型 Clamp Gasket/B Type

适用于Suitable for: ISO1127

货号代码 Cargo code :  
F070222

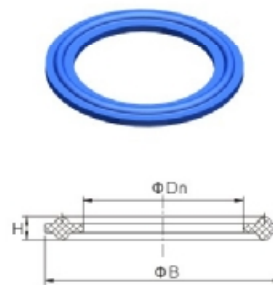


SIZE	卡盘B
17.2	34.00
21.3	50.50
26.9	50.50
33.7	50.50
42.4	64.00
45.0	64.00
48.3	64.00
57.0	77.50
60.3	77.50
76.1	91.00
88.9	106.00
108.0	119.00
114.3	130.00
133.0	145.00
139.7	155.00
159.0	183.00
168.3	217.70
219.1	233.50

## 卡箍垫圈-B型 Clamp Gasket/B Type

适用于Suitable for: DIN

货号代码 Cargo code :  
F020222

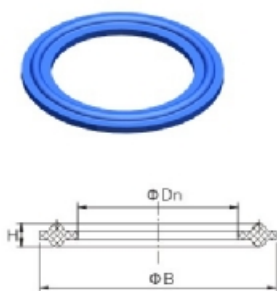


SIZE	卡盘B
DN10	34.00
DN15	34.00
DN20	34.00
DN25	50.50
DN32	50.50
DN40	50.50
DN50	64.00
DN65	91.00
DN80	106.00
DN100	119.00
DN125	145.00
DN125	155.00
DN150	167.00
DN150	183.00
DN200	217.70
DN200	233.50
DN250	268.00
DN300	319.00

### 卡箍垫圈-B型 Clamp Gasket/B Type

适用于Suitable for: SMS BS 3A ISO

货号代码 Cargo code :  
F040222

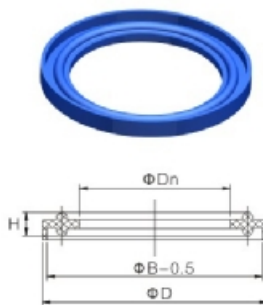


SIZE	卡盘B
1"	50.50
1.25"	50.50
1.5"	50.50
2"	64.00
2.5"	77.50
3"	91.00
4"	119.00
6"	167.00

### 卡箍垫圈-L型(带翻边) Clamp Gasket/L Type (Lip)

适用于Suitable for: SMS BS 3A ISO

货号代码 Cargo code :  
F040223

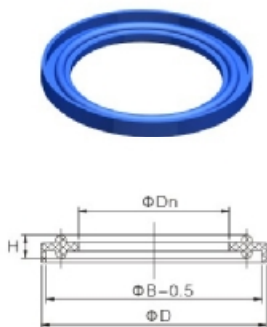


SIZE	卡盘B
1"	50.50
1.25"	50.50
1.5"	50.50
2"	64.00
2.5"	77.50
3"	91.00
4"	119.00
6"	167.00

### 卡箍垫圈-L型(带翻边) Clamp Gasket/L Type (Lip)

适用于Suitable for: ISO1127

货号代码 Cargo code :  
F070223

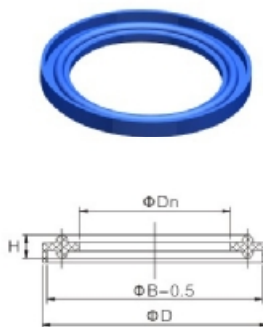


SIZE	卡盘B
17.2	34.00
21.3	50.50
26.9	50.50
33.7	50.50
42.4	64.00
45.0	64.00
48.3	64.00
57.0	77.50
60.3	77.50
76.1	91.00
88.9	106.00
108.0	119.00
114.3	130.00
133.0	145.00
139.7	155.00
159.0	183.00
168.3	217.70
219.1	233.50

### 卡箍垫圈-L型(带翻边) Clamp Gasket/L Type (Lip)

适用于Suitable for: DIN

货号代码 Cargo code :  
F020222



SIZE	卡盘B
DN10	34.00
DN15	34.00
DN20	34.00
DN25	50.50
DN32	50.50
DN40	50.50
DN50	64.00
DN65	91.00
DN80	106.00
DN100	119.00
DN125	145.00
DN125	155.00
DN150	167.00
DN150	183.00
DN200	217.70
DN200	233.50
DN250	268.00
DN300	319.00

# I-LINE 卡箍接头

## I-LINE Ferrule



I-line 系列卡箍管件是食品、酿酒、油品、水处理等工程较为理想的选择，该系列卡箍管件优势在于压力高，抗震动强，能承受较高温度，拆装简单方便，并且达到卫生要求。

规格：1"-8"

材质：ASTM T304/316L

表面处理：180Grit/300Grit

垫圈可选择：EPDM FPM NBR 常用垫圈Silicon

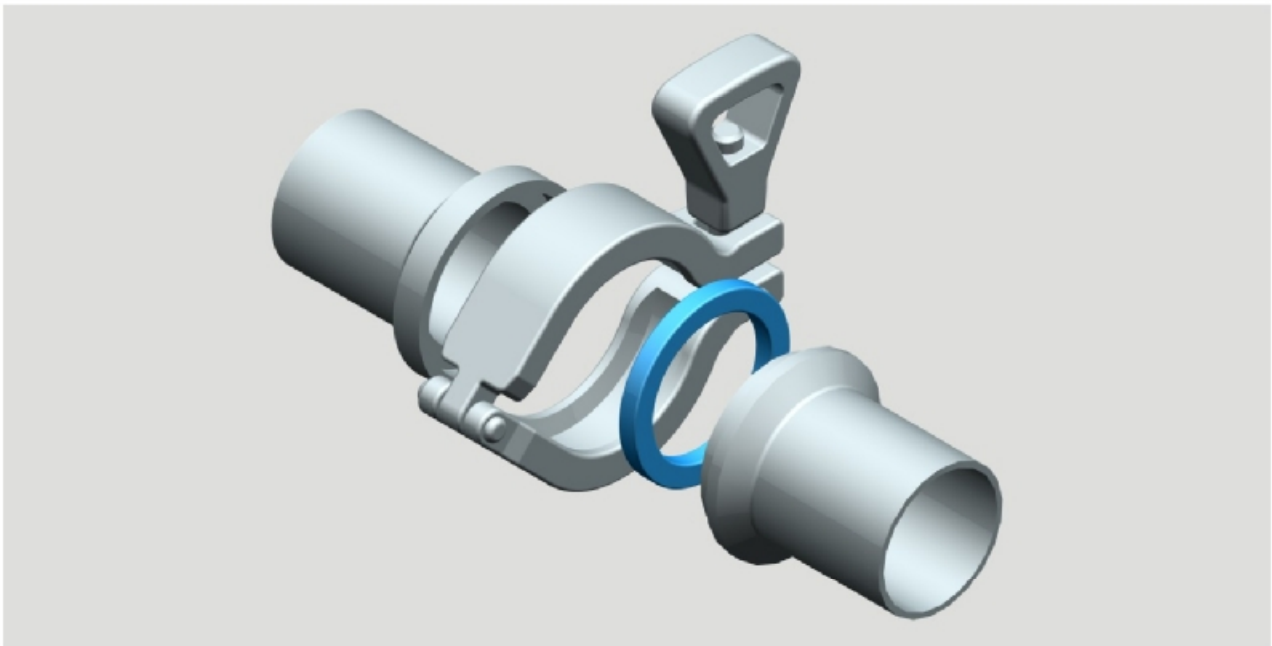
I-Line Fitting series is a relative ideal option for projects of food, brewing, oils and water-treatment. The advantage is strong resistant vibration and is capable of bearing high pressure and temperature. It is not only easy to both installed and disassembled but also meets hygienic requirements.

Specification: 1"-8"

Material: ASTM T304/316L

Finish: 80Grit/300Grit

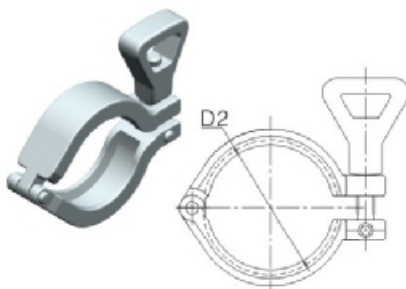
Options for Gasket: EPDM FPM NBR Silicon (standard)



### 卡箍 Clamp

适用于 Suitable for: I-LINE

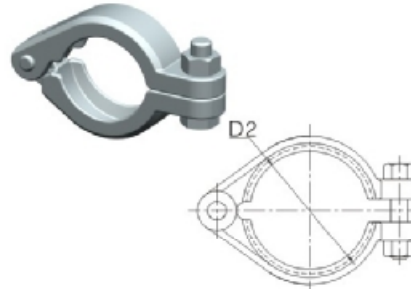
货号代码 Cargo code : F100241



卡箍 13IS

SIZE	尺寸 D2
1"-1.5"	50.7
2"	67.1
2.5"	84.0
3"	98.3
4"	123.7
6"	190.5

货号代码 Cargo code : F100242



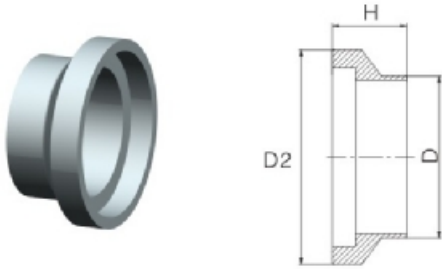
卡箍 13I

SIZE	尺寸 D2
1"-1.5"	50.7
2"	67.1
2.5"	84.0
3"	98.3
4"	123.7
6"	190.5

### 卡箍接头(15WI) Ferrule

适用于Suitable for: I-LINE

货号代码 Cargo code : F100201

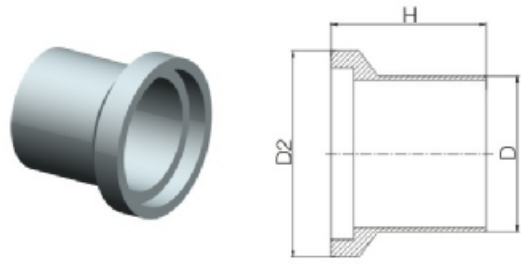


SIZE	尺寸		
	D	D2	H
1"	25.4	50.7	19.8
1.5"	38.1	50.7	23.8
2"	50.8	67.1	26.2
2.5"	63.5	84.0	29.4
3"	76.2	98.3	30.9
4"	101.6	123.7	34.1
6"	152.4	190.5	28.6

### 卡箍接头(15WLI) Ferrule

适用于Suitable for: I-LINE

货号代码 Cargo code : F100202

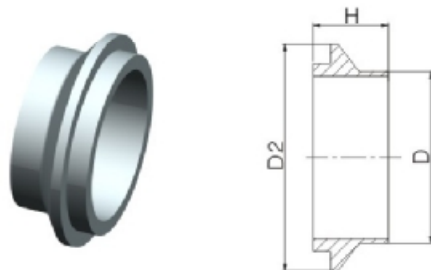


SIZE	尺寸		
	D	D2	H
1"	25.4	50.7	44.4
1.5"	38.1	50.7	51.6
2"	50.8	67.1	58.7
2.5"	63.5	84.0	63.5
3"	76.2	98.3	68.3
4"	101.6	123.7	76.2

### 卡箍接头(14WI) Ferrule

适用于Suitable for: I-LINE

货号代码 Cargo code : F100211

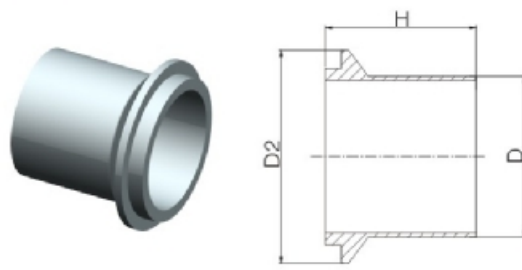


SIZE	尺寸		
	D	D2	H
1"	25.4	50.7	19.8
1.5"	38.1	50.7	23.8
2"	50.8	67.1	26.2
2.5"	63.5	84.0	29.4
3"	76.2	98.3	30.9
4"	101.6	123.7	34.1
6"	152.4	190.5	28.6

### 卡箍接头(14WLI) Ferrule

适用于Suitable for: I-LINE

货号代码 Cargo code : F100212



SIZE	尺寸		
	D	D2	H
1"	25.4	50.7	44.4
1.5"	38.1	50.7	51.6
2"	50.8	67.1	58.7
2.5"	63.5	84.0	63.5
3"	76.2	98.3	68.3
4"	101.6	123.7	76.2

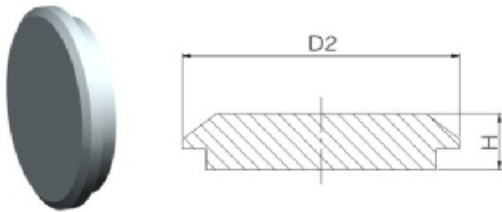
# I-LINE 卡箍接头

## I-LINE Clamp connector

### 卡箍接头(14WI-CAP) Ferrule

适用于Suitable for: I-LINE

货号代码 Cargo code : F100231

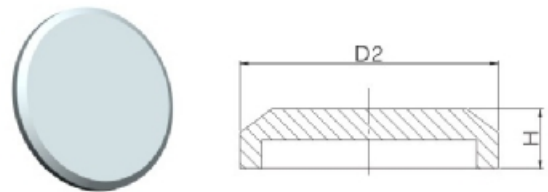


SIZE	尺寸	
	D2	H
1"	50.7	9.7
1.5"	50.7	9.7
2"	67.1	11.8
2.5"	84.0	15.5
3"	98.3	16.1
4"	123.7	16.1

### 卡箍堵头 ( 15WI-CAP ) Clamp Cap

适用于Suitable for: I-LINE

货号代码 Cargo code : F100232

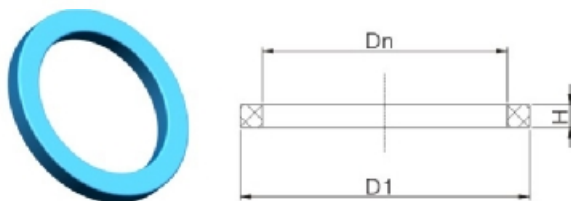


SIZE	尺寸	
	D2	H
1"	50.7	12.8
1.5"	50.7	12.8
2"	67.1	17.7
2.5"	84.0	18.8
3"	98.3	19.4
4"	123.7	19.4

### I-LINE垫圈 I-LINE Gasket

适用于Suitable for: I-LINE

货号代码 Cargo code : F100221



SIZE	尺寸		
	D1	Dn	H
1"	31.8	22.4	2.5
1.5"	44.5	35.1	2.5
2"	57.2	47.8	2.5
2.5"	69.9	60.5	2.5
3"	84.1	73.4	2.5
4"	109.5	97.9	2.5
6"	158.9	147.4	2.5





# 卡箍/螺纹/对焊, 接头系列

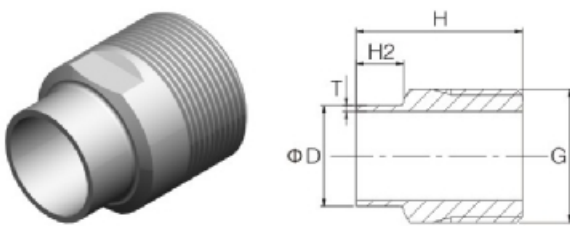
## Clamp/ Thread/ Weld Connector Series



### 单焊接单外螺纹接头-Inch Welded/ Male Adapter - Inch

适用于Suitable for: 3A,AS,BS,SMS,ISO

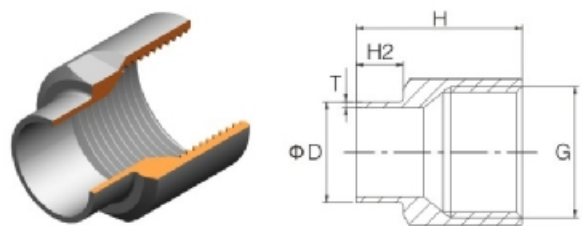
货号代码 Cargo code : F040801



### 单焊接单内螺纹接头-Inch Welded/ Female Adapter - Inch

适用于Suitable for: 3A,AS,BS,SMS,ISO

货号代码 Cargo code : F040802



SIZE	尺寸			G (BSP/BSPT /NPT)
	D	H	H2	
0.5"X0.5"	12.7	38	12	1/2"
0.5"X0.75"	12.7	38	12	3/4"
0.75"X0.75"	19	38	12	3/4"
0.5"X1"	12.7	42	12	1"
0.75"X1"	19	42	12	1"
1"X1"	25.4	42	12	1"
0.75"X1.25"	19	44	12	1 1/4"
1"X1.25"	25.4	44	12	1 1/4"
1.25"X1.25"	31.8	44	12	1 1/4"
0.75"X1.5"	19	44	12	1 1/2"
1"X1.5"	25.4	44	12	1 1/2"
1.25"X1.5"	31.8	44	12	1 1/2"
1.5"X1.5"	38.1	44	12	1 1/2"
1"X2"	25.4	46	12	2"
1.25"X2"	31.8	46	12	2"
1.5"X2"	38.1	46	12	2"
2"X2"	50.8	46	12	2"
1"X2.5"	25.4	55	12	2 1/2"
1.5"X2.5"	38.1	55	12	2 1/2"
2"X2.5"	50.8	55	12	2 1/2"
2.5"X2.5"	63.5	55	12	2 1/2"
1"X3"	25.4	55	12	3"
1.5"X3"	38.1	55	12	3"
2"X3"	50.8	55	12	3"
2.5"X3"	63.5	55	12	3"
3"X3"	76.2	55	12	3"
3.5"X3.5"	89	60	15	3 1/2"
4"X4"	101.6	60	15	4"

SIZE	尺寸			G (BSP/BSPT /NPT)
	D	H	H2	
0.5"X0.5"	12.7	38	12	1/2"
0.5"X0.75"	12.7	38	12	3/4"
0.75"X0.75"	19	38	12	3/4"
0.5"X1"	12.7	42	12	1"
0.75"X1"	19	42	12	1"
1"X1"	25.4	42	12	1"
0.75"X1.25"	19	44	12	1 1/4"
1"X1.25"	25.4	44	12	1 1/4"
1.25"X1.25"	31.8	44	12	1 1/4"
0.75"X1.5"	19	44	12	1 1/2"
1"X1.5"	25.4	44	12	1 1/2"
1.25"X1.5"	31.8	44	12	1 1/2"
1.5"X1.5"	38.1	44	12	1 1/2"
1"X2"	25.4	46	12	2"
1.25"X2"	31.8	46	12	2"
1.5"X2"	38.1	46	12	2"
2"X2"	50.8	46	12	2"
1"X2.5"	25.4	55	12	2 1/2"
1.5"X2.5"	38.1	55	12	2 1/2"
2"X2.5"	50.8	55	12	2 1/2"
2.5"X2.5"	63.5	55	12	2 1/2"
1"X3"	25.4	55	12	3"
1.5"X3"	38.1	55	12	3"
2"X3"	50.8	55	12	3"
2.5"X3"	63.5	55	12	3"
3"X3"	76.2	55	12	3"
3.5"X3.5"	89	60	15	3 1/2"
4"X4"	101.6	60	15	4"



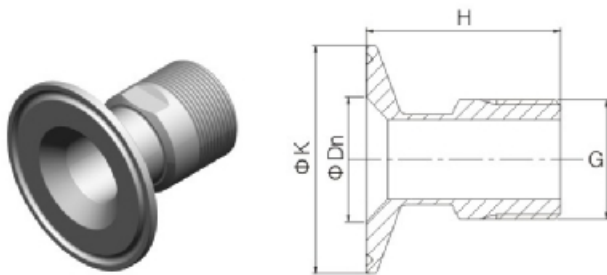
# 卡箍/螺纹/对焊, 接头系列

## Clamp/ Thread/ Weld Connector Series

### 单卡箍单外螺纹接头-Inch Clamped / Male Adapter - Inch

适用于Suitable for: 3A,AS,BS,SMS,ISO

货号代码 Cargo code : F040803

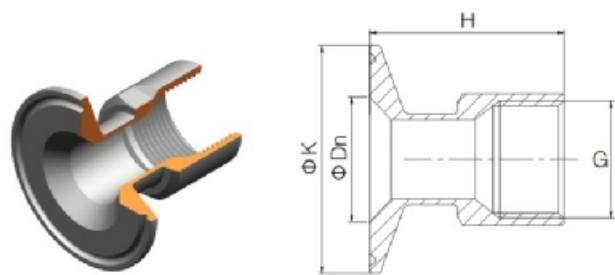


SIZE	尺寸			G (BSP/BSPT /NPT)
	Dn	K	H	
0.5"X0.5"	9.4	25	50.7	1/2"
0.75"X0.5"	15.7	25	50.7	1/2"
0.75"X0.75"	15.7	25	50.7	3/4"
1"X0.5"	22.1	50.5	50.7	1/2"
1"X0.75"	22.1	50.5	50.7	3/4"
1"X1"	22.1	50.5	54.7	1"
1.25"X0.75"	28.8	50.5	50.7	3/4"
1.25"X1"	28.8	50.5	54.7	1"
1.25"X1.25"	28.8	50.5	56.7	1 1/4"
1.5"X0.75"	34.8	50.5	50.7	3/4"
1.5"X1"	34.8	50.5	54.7	1"
1.5"X1.25"	34.8	50.5	56.7	1 1/4"
1.5"X1.5"	34.8	50.5	56.7	1 1/2"
2" X1"	47.5	64	54.7	1"
2" X1.25"	47.5	64	56.7	1 1/4"
2" X1.5"	47.5	64	56.7	1 1/2"
2" X2"	47.5	64	58.7	2"
2.5"X1"	60.2	77.5	54.7	1"
2.5"X1.5"	60.2	77.5	56.7	1 1/2"
2.5"X2"	60.2	77.5	58.7	2"
2.5"X2.5"	60.2	77.5	67.7	2 1/2"
3"X1"	72.9	91	54.7	1"
3"X1.5"	72.9	91	56.7	1 1/2"
3"X2"	72.9	91	58.7	2"
3"X2.5"	72.9	91	67.7	2 1/2"
3"X3"	72.9	91	67.7	3"
4"X4"	97.4	119	75.8	4"

### 单卡箍单内螺纹接头-Inch Clamped /Female Adapter - Inch

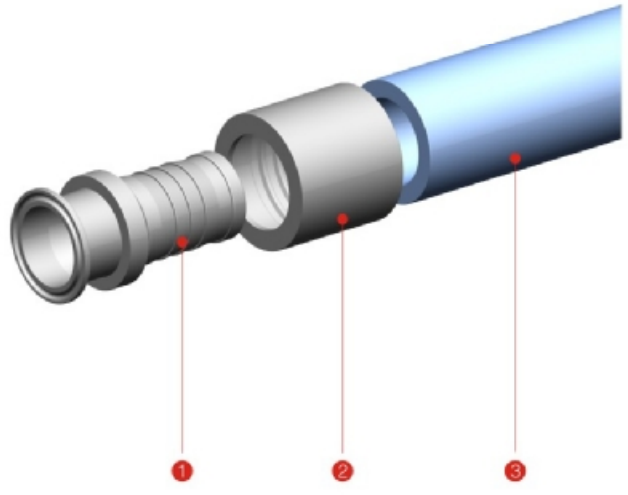
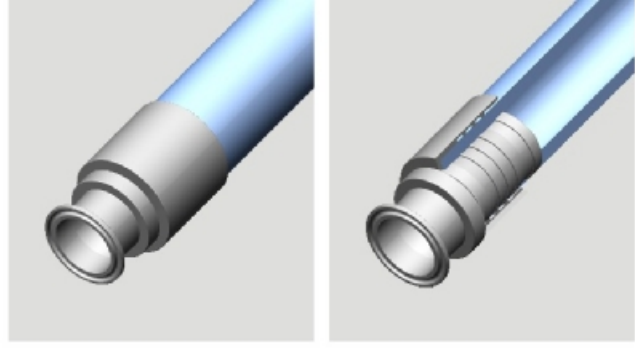
适用于Suitable for: 3A,AS,BS,SMS,ISO

货号代码 Cargo code : F040804



SIZE	尺寸			G (BSP/BSPT /NPT)
	Dn	K	H	
0.5"X0.5"	9.4	25	50.7	1/2"
0.75"X0.5"	15.7	25	50.7	1/2"
0.75"X0.75"	15.7	25	50.7	3/4"
1"X0.5"	22.1	50.5	50.7	1/2"
1"X0.75"	22.1	50.5	50.7	3/4"
1"X1"	22.1	50.5	54.7	1"
1.25"X0.75"	28.8	50.5	50.7	3/4"
1.25"X1"	28.8	50.5	54.7	1"
1.25"X1.25"	28.8	50.5	56.7	1 1/4"
1.5"X0.75"	34.8	50.5	50.7	3/4"
1.5"X1"	34.8	50.5	54.7	1"
1.5"X1.25"	34.8	50.5	56.7	1 1/4"
1.5"X1.5"	34.8	50.5	56.7	1 1/2"
2" X1"	47.5	64	54.7	1"
2" X1.25"	47.5	64	56.7	1 1/4"
2" X1.5"	47.5	64	56.7	1 1/2"
2" X2"	47.5	64	58.7	2"
2.5"X1"	60.2	77.5	54.7	1"
2.5"X1.5"	60.2	77.5	56.7	1 1/2"
2.5"X2"	60.2	77.5	58.7	2"
2.5"X2.5"	60.2	77.5	67.7	2 1/2"
3"X1"	72.9	91	54.7	1"
3"X1.5"	72.9	91	56.7	1 1/2"
3"X2"	72.9	91	58.7	2"
3"X2.5"	72.9	91	67.7	2 1/2"
3"X3"	72.9	91	67.7	3"
4"X4"	97.4	119	75.8	4"

# 卡压式软管接头 Jam-on hose coupler



货号代码 Code : F040512

货号代码 Code : F040515



货号代码 Cargo code : F040513

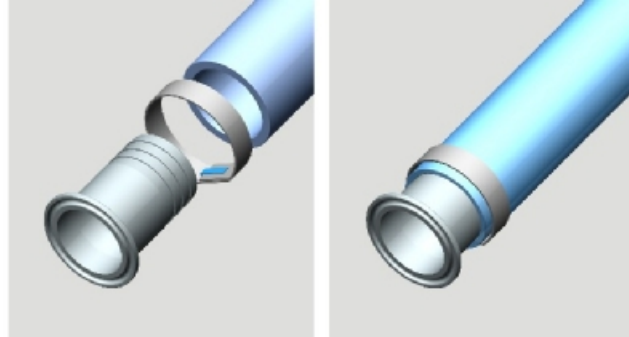


编号 No.	名称 Product name	材质 Material	材质 Material
1#	卡箱式卡压型软管接头 Clamped Jam-on Hose Coupler	316L	304
2#	卡压式软管接头-外套管 Outer Sleeve for Jam-on Coupler	316L	304
3#	软管 Hose		

注意：卡压型软管接头，需使用软管接头与外套管配套使用  
Note: Hose coupler needs be matched with outer sleeve.



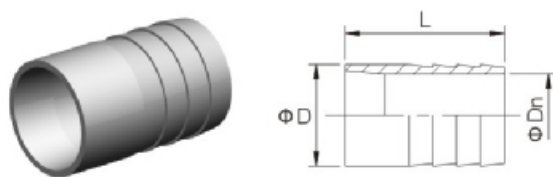
## 卡压式软管接头 Jam-on hose coupler



### 焊接式软管接头-Inch Weld hose coupler -Inch

适用于Suitable for: 3A, AS, BS, SMS, ISO

货号代码 Cargo code : F010501

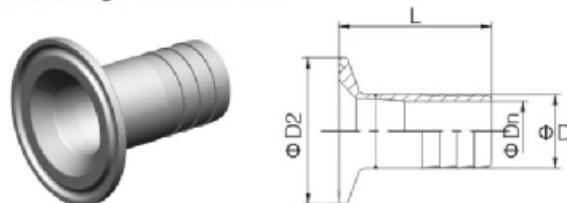


SIZE	尺寸		
	D	Dn	L
1/4"	10	5	30
3/8"	11	6.2	30
1/2"	13.7	9.5	30
3/4"	21.4	15.8	30
1"	25.4	20.6	40
1 1/4"	31.8	26.8	40
1 1/2"	38.1	33.2	40
2"	50.8	46	50
2 1/2"	63.5	58.7	50
3"	76.2	70	70
4"	101.6	96	80

### 异径卡箍式软管接头-Inch Eccentric Clamp Hose Coupler -Inch

适用于Suitable for: 3A, AS, BS, SMS, ISO

货号代码 Cargo code : F010502

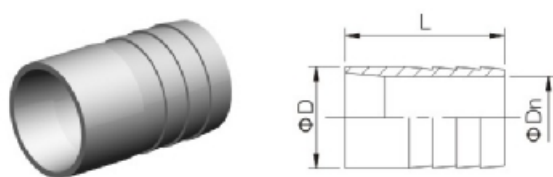


SIZE	尺寸				
	D	Dn	L	D2	D3
1.5"X0.5"	13.7	9.5	42.7	50.5	35.1
1.5"X0.75"	21.4	15.8	42.7	50.5	35.1
1.5"X1"	25.4	20.6	52.7	50.5	35.1
2"X0.5"	13.7	9.5	42.7	64	47.8
2"X0.75"	21.4	15.8	42.7	64	47.8
2"X1"	25.4	20.6	52.7	64	47.8
2"X1.5"	38.1	33.2	52.7	64	47.8

### 焊接式软管接头-DIN Weld hose coupler -DIN

适用于Suitable for: DIN

货号代码 Cargo code : F020501

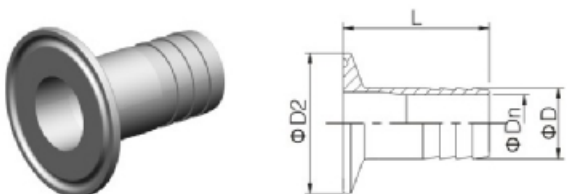


SIZE	尺寸		
	D	Dn	L
DN15	18	14	30
DN20	22	18	40
DN25	28	24	40
DN32	34	30	40
DN40	40	35	40
DN50	52	47	50
DN65	70	64	70
DN80	85	79	70
DN100	104	98	80

### 卡箍式软管接头-Inch Clamp Hose Coupler -Inch

适用于Suitable for: 3A, AS, BS, SMS, ISO

货号代码 Cargo code : F010503

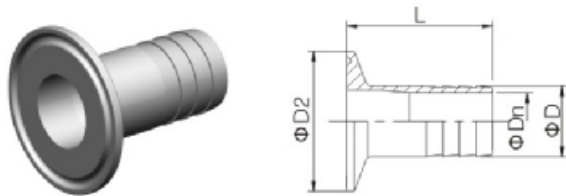


SIZE	尺寸			
	D	Dn	L	D2
1/4"	10	5	42.7	25.4
3/8"	11	6.2	42.7	25.4
1/2"	13.7	9.5	42.7	25.4
3/4"	21.4	15.8	42.7	25.4
1"	25.4	20.6	52.7	50.5
1 1/4"	31.8	26.8	52.7	50.5
1 1/2"	38.1	33.2	52.7	50.5
2"	50.8	46	62.7	64
2 1/2"	63.5	58.7	62.7	77.5
3"	76.2	70	82.7	91
4"	101.6	96	95.8	119

卡箍式软管接头-DIN  
Clamp Hose Coupler -DIN

适用于Suitable for: DIN

货号代码 Cargo code : F020503

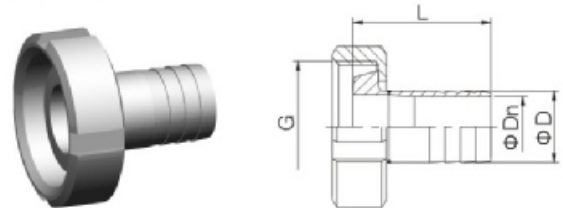


SIZE	尺寸			
	D	Dn	L	D2
DN20	22	18	58	34
DN25	28	24	61.5	50.5
DN32	34	30	61.5	50.5
DN40	40	35	61.5	50.5
DN50	52	47	71.5	64
DN65	70	64	98	91
DN80	85	79	98	106
DN100	104	98	108	119

螺母式软管接头-DIN  
Nut Hose Coupler -DIN

适用于Suitable for: DIN

货号代码 Cargo code : F020505

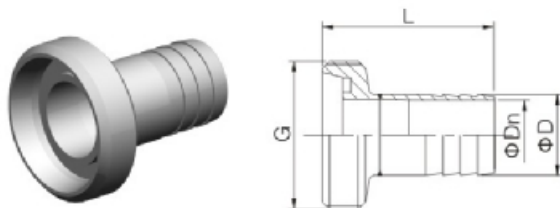


SIZE	尺寸			
	D	Dn	L	G
DN25	28	24	54	Rd52X1/6
DN32	34	30	54	Rd58X1/6
DN40	40	35	56	Rd65X1/6
DN50	52	47	67	Rd78X1/6
DN65	70	64	88	Rd95X1/6
DN80	85	79	90	Rd110X1/4
DN100	104	98	102	Rd130X1/4

螺纹式软管接头-DIN  
Thread Hose Coupler -IDF

适用于Suitable for: DIN

货号代码 Cargo code : F020506

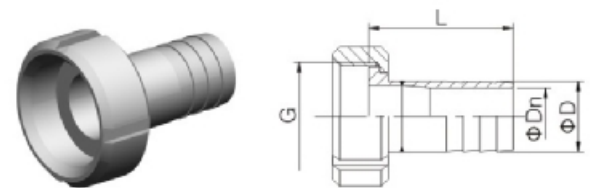


SIZE	尺寸			
	D	Dn	L	G
DN25	28	24	60	Rd52X1/6
DN32	34	30	60	Rd58X1/6
DN40	40	35	60	Rd65X1/6
DN50	52	47	71	Rd78X1/6
DN65	70	64	93	Rd95X1/6
DN80	85	79	95	Rd110X1/4
DN100	104	98	108	Rd130X1/4

螺母式软管接头-SMS  
Nut Hose Coupler -SMS

适用于Suitable for: SMS

货号代码 Cargo code : F030505



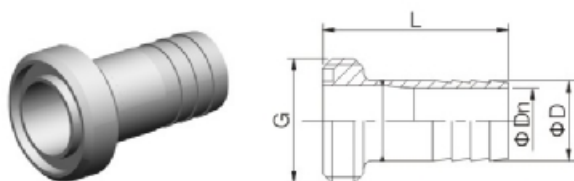
SIZE	尺寸			
	D	Dn	L	G
25	25.4	20.6	52	Rd40X1/6
32	31.8	26.8	52	Rd48X1/6
38	38.1	33.2	53	Rd60X1/6
51	50.8	46	63	Rd70X1/6
63	63.5	58.7	64	Rd85X1/6
76	76.2	70	84	Rd98X1/6
102	101.6	96	97	Rd132X1/6

# 卡压式软管接头 Jam-on hose coupler

## 螺纹式软管接头-SMS Thread Hose Coupler -SMS

适用于Suitable for: SMS

货号代码 Cargo code : F030506

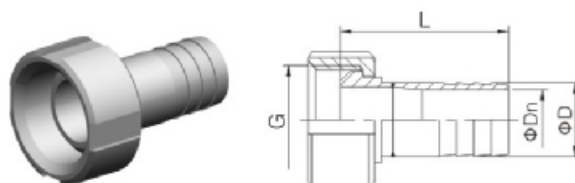


SIZE	尺寸			
	D	Dn	L	G
25	25.4	20.6	59	Rd40X1/6
32	31.8	26.8	58	Rd48X1/6
38	38.1	33.2	60	Rd60X1/6
51	50.8	46	70	Rd70X1/6
63	63.5	58.7	74	Rd85X1/6
76	76.2	70	95	Rd96X1/6
102	101.6	96	107	Rd132X1/6

## 螺母式软管接头-3A Nut Hose Coupler -3A

适用于Suitable for: 3A

货号代码 Cargo code : F040505

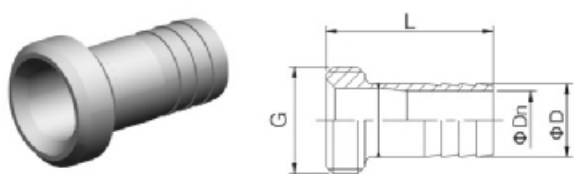


SIZE	尺寸			
	D	Dn	L	G(ACME)
1"	25.4	20.6	58.3	38.02X1/8
1.5"	38.1	33.2	58.3	51.54X1/8
2"	50.8	46	69.1	65.05X1/8
2.5"	63.5	58.7	72.3	78.56X1/8
3"	76.2	70	93.1	92.08X1/8
4"	101.6	96	106.2	120.14X1/6

## 螺纹式软管接头-3A Thread Hose Coupler -3A

适用于Suitable for: 3A

货号代码 Cargo code : F040506

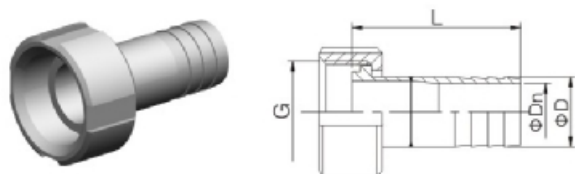


SIZE	尺寸			
	D	Dn	L	G(ACME)
1"	25.4	20.6	58.3	38.02X1/8
1.5"	38.1	33.2	58.3	51.54X1/8
2"	50.8	46	69.1	65.05X1/8
2.5"	63.5	58.7	72.3	78.56X1/8
3"	76.2	70	93.1	92.08X1/8
4"	101.6	96	106.2	120.14X1/6

## 螺母式软管接头-ISO/IDF Nut Hose Coupler -ISO/IDF

适用于Suitable for: ISO/IDF

货号代码 Cargo code : F050505



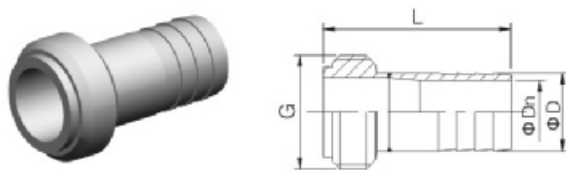
SIZE	尺寸			
	D	Dn	L	G(ACME)
1"	25.4	20.6	61.5	38.3X1/8
1.5"	38.1	33.2	61.5	51.8X1/8
2"	50.8	46	71.5	65.3X1/8
2.5"	63.5	58.7	71.5	78.8X1/8
3"	76.2	70	91.5	92.3X1/8
4"(IDF)	101.6	96	110	127.2X1/6
4"(ISO)	101.6	96	101.5	119.4X1/8



**螺纹式软管接头-ISO/IDF**  
Thread Hose Coupler -ISO/IDF

适用于Suitable for: ISO/IDF

货号代码 Cargo code : F050506

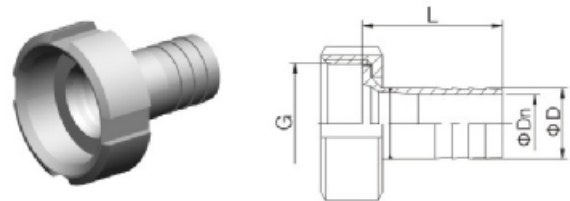


SIZE	尺寸			
	D	Dn	L	G(ACME)
1"	25.4	20.6	61.5	37.13X1/8
1.5"	38.1	33.2	61.5	50.65X1/8
2"	50.8	46	71.5	64.16X1/8
2.5"	63.5	58.7	71.5	77.7X1/8
3"	76.2	70	91.5	91.2X1/8
4"(IDF)	101.6	96	110	125.9X1/6
4"(ISO)	101.6	96	101.5	118.4X1/8

**螺母式软管接头-RJT**  
Nut Hose Coupler -RJT

适用于Suitable for: RJT

货号代码 Cargo code : F110505

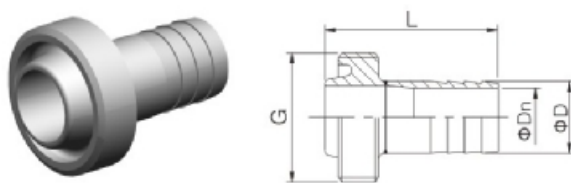


SIZE	尺寸			
	D	Dn	L	G(WHIT)
1"	25.4	20.6	50	45.7X1/8
1.5"	38.1	33.2	50	58.4X1/8
2"	50.8	46	60	72.7X1/6
2.5"	63.5	58.7	60	85.4X1/6
3"	76.2	70	80	98.1X1/6
4"	101.6	96	92.7	123.8X1/6

**螺纹式软管接头-RJT**  
Thread Hose Coupler -RJT

适用于Suitable for: RJT

货号代码 Cargo code : F110505



SIZE	尺寸			
	D	Dn	L	G(WHIT)
1"	25.4	20.6	67	45.7X1/8
1.5"	38.1	33.2	67	58.4X1/8
2"	50.8	46	77	72.7X1/6
2.5"	63.5	58.7	77	85.4X1/6
3"	76.2	70	97	98.1X1/6
4"	101.6	96	107	123.8X1/6



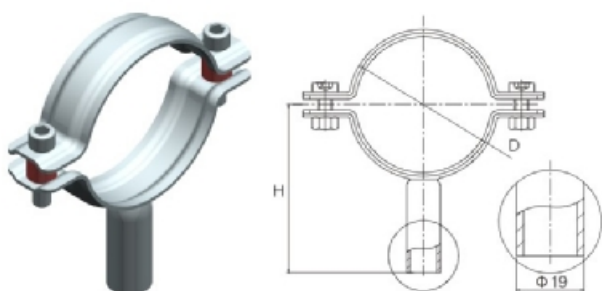


# 管支架 Pipe hanger

## 管支架- (推荐) Pipe hanger(Recommend)

适用于Suitable for: DIN & INCH

代码Code : 60069

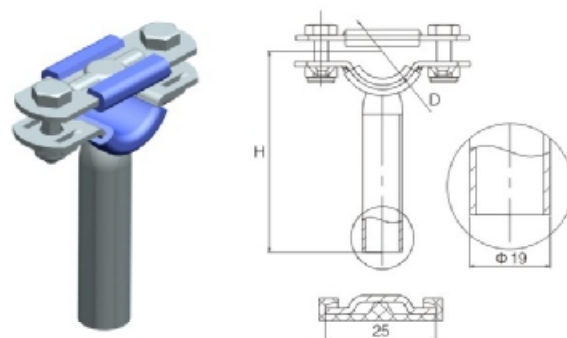


SIZE	适用管径 (Dmm)	H
DN10	1/2"	12-14
DN15	3/4"	18-20
DN20	-	22-24
-	1"	25-27
DN25	-	28-30
DN32	1.25"	32-35
DN40	1.5"	38-40
-	-	42-45
-	-	48-50
DN50	2"	51-54
-	-	57
-	2.5"	60-64
DN65	-	70-73
-	3"	76-80
DN80	3.5"	85-89
DN100	4"	102-104
-	-	108
-	4.5"	114
DN125	5"	129-133
-	-	138-141
DN150	6"	154-159
-	6.5"	168-170
DN200	8"	202-206
-	8.5"	219
DN250	10"	254
DN300	12"	304

## 防震动-管支架 (推荐) -MINI Anti-Vibration Pipe Hanger - MINI(Recommend)

适用于Suitable for: DIN & INCH

代码Code : 60077-1

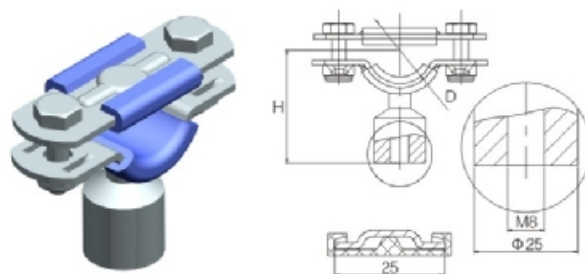


SIZE	适用管径 (Dmm)	H
DN10	1/2"	12-14
DN15	3/4"	18-20

## 防震动-管支架 (选项) -MINI Anti-Vibration Pipe Hanger - MINI(Option)

适用于Suitable for: DIN & INCH

代码Code : 60077-2



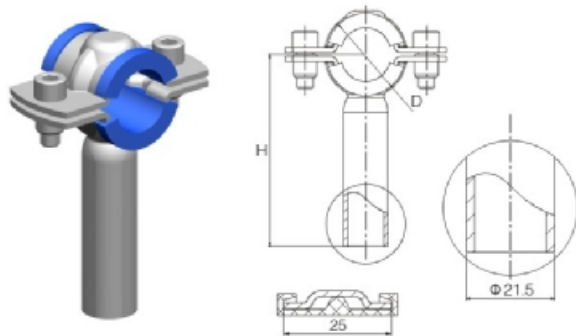
SIZE	适用管径 (Dmm)	H
DN10	1/2"	12-14
DN15	3/4"	18-20



**防震动-管支架 (推荐)**  
**Anti-Vibration Pipe Hanger - (Recommend)**

适用于Suitable for: DIN & INCH

代码Code : 60077-1

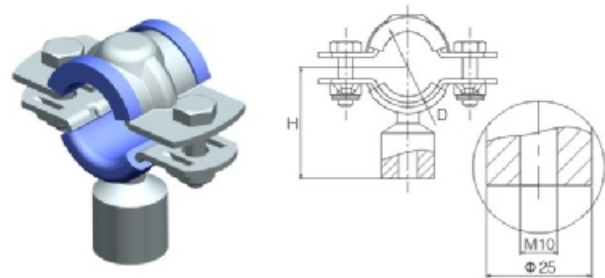


SIZE		适用管径 (Dmm)	H
DN20	-	22-24	90
-	1"	25-27	90
DN25	-	28-30	90
DN32	1.25"	32-35	90
DN40	1.5"	38-40	90
DN50	2"	51-54	90
-	2.5"	60-64	90
DN65	-	70-73	90
-	3"	76-80	90
DN80	3.5"	85-89	90
DN100	4"	102-104	90
DN125	5"	129-133	117
DN150	6"	154-159	130
DN200	8"	202-206	155
DN250	10"	254	180
DN300	12"	304	205

**防震动-管支架 (选项)**  
**Anti-Vibration Pipe Hanger - (Option)**

适用于Suitable for: DIN & INCH

代码Code : 60077-2



SIZE		适用管径 (Dmm)	H
DN20	-	22-24	48
-	1"	25-27	48
DN25	-	28-30	48
DN32	1.25"	32-35	54
DN40	1.5"	38-40	54
DN50	2"	51-54	60
-	2.5"	60-64	67
DN65	-	70-73	70
-	3"	76-80	73
DN80	3.5"	85-89	76
DN100	4"	102-104	86
DN125	5"	129-133	100
DN150	6"	154-159	94
DN200	8"	202-206	137
DN250	10"	254	162
DN300	12"	304	187

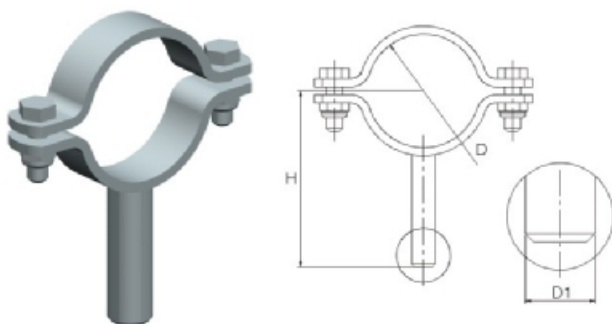
# 管支架 Pipe hanger

## 管支架 Pipe Hanger

适用于Suitable for: DIN & INCH

代码Code : 60079-2

规格(D1):  
DN10-1'=8mm  
DN25-DN40=10mm  
DN50-DN100=12mm  
DN125-150=16mm  
DN200-DN250=20mm

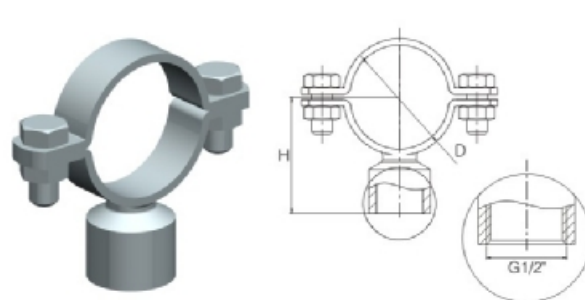


SIZE	适用管径 (Dmm)	H
DN10	12-14	64
DN15	18-20	67
DN20	22-24	69
-	25-27	71
DN25	28-30	72
DN32	32-35	75
DN40	38-40	78
-	42-45	80
-	48-50	82
DN50	51-54	84
-	57	87
-	60-64	90
DN65	70-73	93
-	76-80	96
DN80	85-89	102
DN100	102-104	109
-	108	112
-	114	116
DN125	129-133	140
-	138-141	145
DN150	154-159	180
-	168-170	188
DN200	202-206	240
-	219	245
DN250	254	280

## 管支架 Pipe Hanger

适用于Suitable for: DIN & INCH

代码Code : 60076-1

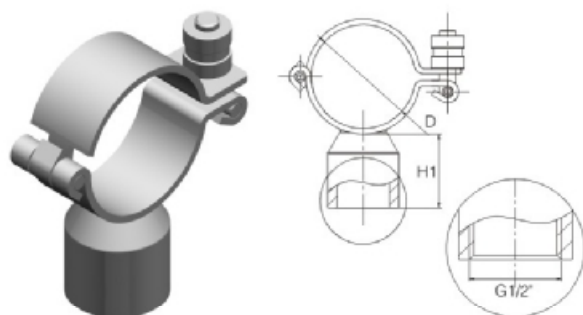


SIZE	适用管径 (Dmm)	H
DN10	12-14	36
DN15	18-20	39
DN20	22-24	40
-	25-27	42
DN25	28-30	44
DN32	32-35	46
DN40	38-40	49
-	42-45	50.5
-	48-50	54
DN50	51-54	55
-	57	58
-	60-64	61
DN65	70-73	65
-	76-80	68
DN80	85-89	74
DN100	102-104	81
-	114	87
DN125	129-133	102
-	138-141	107
DN150	154-159	114
-	168-170	121
DN200	202-206	139
-	219	147
DN250	254	164

## 管支架 Pipe Hanger

适用于Suitable for: DIN & INCH

代码Code : 60076-2



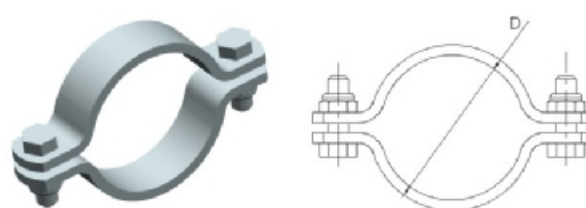
SIZE	适用管径 (Dmm)	H1
DN10	1/2"	12-14
DN15	3/4"	18-20
DN20	-	22-24
-	1"	25-27
DN25	-	28-30
DN32	1.25"	32-35
DN40	1.5"	38-40
-	-	42-45
-	-	48-50
DN50	2"	51-54
-	-	57
-	2.5"	60-64
DN65	-	70-73
-	3"	76-80
DN80	3.5"	85-89
DN100	4"	102-104

30

## 管支架 Pipe Hanger

适用于Suitable for: DIN & INCH

代码Code : 60079-1



SIZE	适用管径 (Dmm)
DN10	1/2"
DN15	3/4"
DN20	-
-	1"
DN25	-
DN32	1.25"
DN40	1.5"
-	-
-	-
DN50	2"
-	-
-	2.5"
DN65	-
-	3"
DN80	3.5"
DN100	4"
-	-
-	4.5"
DN125	5"
-	-
DN150	6"
-	6.5"
DN200	8"
-	8.5"
DN250	10"
DN300	12"

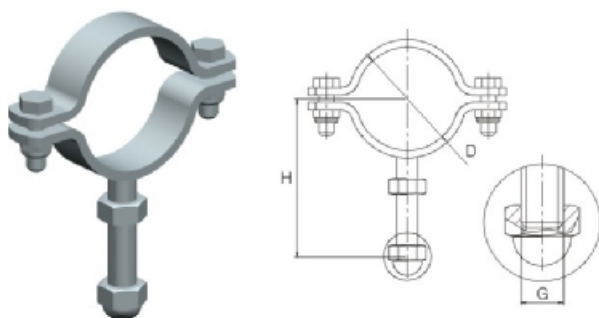
# 管支架 Pipe hanger

## 管支架 Pipe Hanger

适用于Suitable for: DIN & INCH

代码Code : 60079-3

螺栓规格 (G):  
DN10-DN20=M8  
1"-DN40=M10  
DN50-4.5'=M12  
DN125-DN250=M16

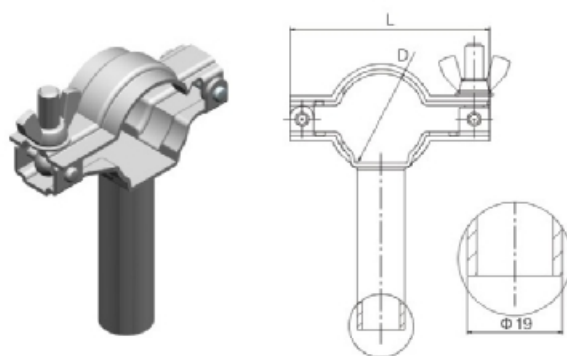


SIZE	适用管径 (Dmm)	H
DN10	1/2'	12-14
DN15	3/4'	18-20
DN20	-	22-24
-	1'	25-27
DN25	-	28-30
DN32	1.25'	32-35
DN40	1.5'	38-40
-	-	42-45
-	-	48-50
DN50	2'	51-54
-	-	57
-	2.5'	60-64
DN65	-	70-73
-	3'	76-80
DN80	3.5'	85-89
DN100	4'	102-104
-	-	108
-	4.5'	114
DN125	5'	129-133
-	-	138-141
DN150	6'	154-159
-	6.5'	168-170
DN200	8'	202-206
-	8.5'	219
DN250	10'	254

## 管支架 Pipe Hanger

适用于Suitable for: DIN & INCH

代码Code : 60073-1



SIZE	适用管径 (Dmm)	H1
-	1'	25-27
DN25	-	28-30
DN32	1.25'	32-35
DN40	1.5'	38-40
-	-	42-45
-	-	48-50
DN50	2'	51-54
-	-	57
-	2.5'	60-64
DN65	-	70-73
-	3'	76-80
DN80	3.5'	85-89
DN100	4'	102-104

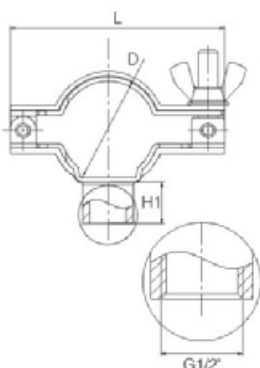
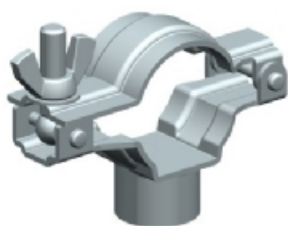




### 管支架 Pipe Hanger

适用于Suitable for: DIN & INCH

代码Code : 60073-2

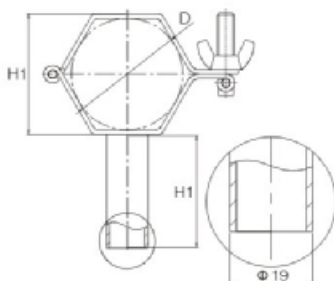


SIZE		适用管径 (Dmm)	H1
-	1"	25-27	27
DN25	-	28-30	
DN32	1.25"	32-35	
DN40	1.5"	38-40	
-	-	42-45	
-	-	48-50	
DN50	2"	51-54	
-	-	57	
-	2.5"	60-64	
DN65	-	70-73	
-	3"	76-80	
DN80	3.5"	85-89	
DN100	4"	102-104	

### 管支架 Pipe Hanger

适用于Suitable for: DIN & INCH

代码Code : 60075

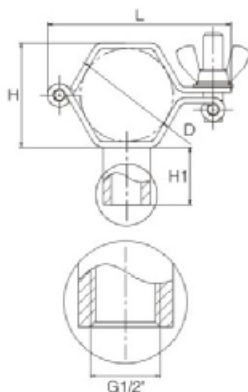


SIZE		适用管径 (Dmm)	H1
-	1"	25-27	100
DN25	-	28-30	
DN32	1.25"	32-35	
DN40	1.5"	38-40	
-	-	42-45	
-	-	48-50	
DN50	2"	51-54	
-	-	57	
-	2.5"	60-64	
DN65	-	70-73	
-	3"	76-80	
DN80	3.5"	85-89	
DN100	4"	102-104	

### 管支架 Pipe Hanger

适用于Suitable for: DIN & INCH

代码Code : 60074



SIZE		适用管径 (Dmm)	H1
-	1"	25-27	27
DN25	-	28-30	
DN32	1.25"	32-35	
DN40	1.5"	38-40	
-	-	42-45	
-	-	48-50	
DN50	2"	51-54	
-	-	57	
-	2.5"	60-64	
DN65	-	70-73	
-	3"	76-80	
DN80	3.5"	85-89	
DN100	4"	102-104	

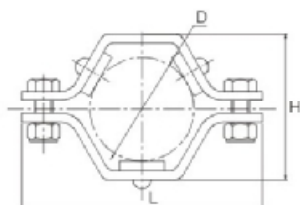


# 管支架 Pipe hanger

## 管支架 Pipe Hanger

适用于Suitable for: DIN & INCH

代码Code : 60070-1

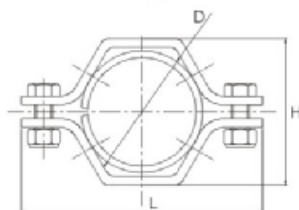


SIZE	适用管径 (Dmm)	
-	1'	25-27
DN25	-	28-30
DN32	1.25'	32-35
DN40	1.5'	38-40
-	-	42-45
-	-	48-50
DN50	2'	51-54
-	-	57
-	2.5'	60-64
DN65	-	70-73
-	3'	76-80
DN80	3.5'	85-89
DN100	4'	102-104

## 管支架 Pipe Hanger

适用于Suitable for: DIN & INCH

代码Code : 60070-2



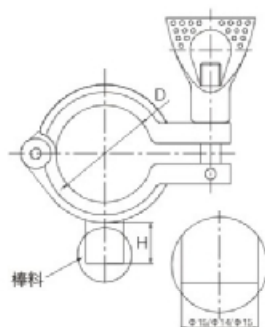
SIZE	适用管径 (Dmm)	
-	1'	25-27
DN25	-	28-30
DN32	1.25'	32-35
DN40	1.5'	38-40
-	-	42-45
-	-	48-50
DN50	2'	51-54
-	-	57
-	2.5'	60-64
DN65	-	70-73
-	3'	76-80
DN80	3.5'	85-89
DN100	4'	102-104

内衬材质: 标准配置 PVC, 或根据客户要求定制

## 管支架 Pipe Hanger

适用于Suitable for: DIN & INCH

代码Code : 60079-4



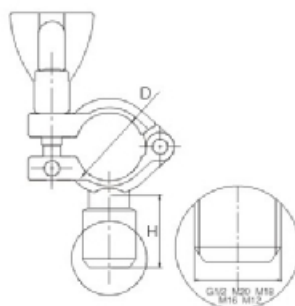
SIZE	适用管径 (Dmm)	
-	1'	25-27
DN25	-	28-30
DN32	1.25'	32-35
DN40	1.5'	38-40
-	-	42-45
-	-	48-50
DN50	2'	51-54
-	-	57
-	2.5'	60-64
DN65	-	70-73
-	3'	76-80
DN80	3.5'	85-89
DN100	4'	102-104

圆棒尺寸=15mm或根据客户指定尺寸

## 管支架 Pipe Hanger

适用于Suitable for: DIN & INCH

代码Code : 60079-5

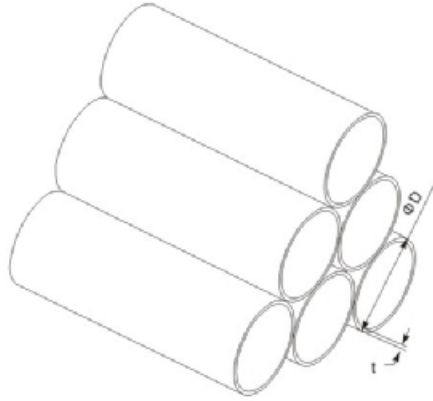


SIZE	适用管径 (Dmm)	
-	1'	25-27
DN25	-	28-30
DN32	1.25'	32-35
DN40	1.5'	38-40
-	-	42-45
-	-	48-50
DN50	2'	51-54
-	-	57
-	2.5'	60-64
DN65	-	70-73
-	3'	76-80
DN80	3.5'	85-89
DN100	4'	102-104

螺纹=M12/G1/2'或根据客户指定尺寸

# 卫生钢管 Sanitary tube

## 钢管 Tube



ISO/IDF			SMS-DS				3A			ISO2037(ISO2851)	
SIZE	D	t(mm)	SIZE	D	t(mm)		SIZE	D	t(mm)	SIZE	t(mm)
					1	2					
1/2"	12.7	1.5/1	25	25	1.25	1.5	1/2"	12.7	1.65	12	1.0
3/4"	19.1	1.5/1	32	32	1.25	1.5	3/4"	19	1.65	12.7	1.0
1"	25.4	1.5/1.2	38	38	1.25	1.5	1"	25.4	1.65	17.2	1.0
1 1/4"	31.8	1.5/1.2	51	51	1.25	1.5	1 1/2"	38.1	1.65	21.3	1.0
1 1/2"	38.1	1.5/1.2	63.5	63.5	1.5	2.0	2"	50.8	1.65	25	1.2; 1.6
45	45	2.0	76	76	1.6	2.0	2 1/2"	63.5	1.65	33.7	1.2; 1.6
48	48	1.5	89	89	2.0	2.0	3"	76.2	1.65	38	1.2; 1.6
2"	50.8	1.5	101.6	101.6	2.0	2.0	4"	101.6	2.1	40	1.2; 1.6
57	57	2.0					6"	152.4	2.8	51	1.2; 1.6
2 1/2"	63.5	2.0					8"	203.2	2.8	63.5	1.6
3"	76.2	2.0					10"	254	3.4	70	1.6
3 1/2"	89	2.0					12"	305	3.4	76.1	1.6
4"	101.6	2.0								88.9	2.0
108	108	2.0								101.6	2.0
114.3	114.3	2.0								114.3	2.0
133	133	3.0								139.7	2.0
159	159	3.0								138.3	2.6
204	204	2.0								219.1	2.6

DIN 11850					BS4825				ISO 1127			JIS G3447		
SIZE	Dxt	Dxt	Dxt	Dxt	SIZE	D	t(mm)		SIZE	D	t(mm)	SIZE	D	t(mm)
							1	2						
DN10	12x1.0	13x1.5	14x2.0	12x1.5	12.7	12.7	1.2	1.2	26.9	26.9	1.6	1"	25.4	1.2
DN15	18x1.0	19x1.5	20x2.0	18x1.5	15.88	15.88	1.2	1.2	33.7	33.7	2.0	1 1/4"	31.8	1.2
DN20	22x1.0	23x1.5	24x2.0	22x1.5	19.05	19.05	1.2	1.2	42.4	42.4	2.0	1 1/2"	38.1	1.2
DN25	26x1.0	29x1.5	30x2.0	26x1.5	25.4	25.4	1.2	1.6	48.3	48.3	2.0	2"	50.8	1.5
DN32	34x1.0	35x1.5	36x2.0	34x1.5	38.1	38.1	1.2	1.6	60.3	60.3	2.0	2.5"	63.5	2.0
DN40	40x1.0	41x1.5	42x2.0	40x1.5	50.8	50.8	1.2	1.6	76.2	76.2	2.0	3"	76.2	2.0
DN50	52x1.0	53x1.5	54x2.0	52x1.5	63.5	63.5	1.6	1.6	88.9	88.9	2.0	3 1/2"	89	2.0
DN65	70x2.0	70x2.0	70x2.0	70x2.0	76.2	76.2	1.6	1.6	114.3	114.3	2.0	4"	101.6	2.0
DN80	85x2.0	85x2.0	85x2.0	85x2.0	101.6	101.6	2.0	2.0	139.7	139.7	2.0			
DN100	104x2.0	104x2.0	104x2.0	104x2.0	114.3	114.3	2.0	2.0	168.3	168.3	3.6			
DN125	129x2.0	129x2.0	129x2.0	129x2.0	139.7	139.7	2.0	2.0	219.1	219.1	3.6			
DN150	154x2.0	154x2.0	154x2.0	154x2.0	168.3	168.3	2.6	2.6						
DN200	204x2.0	204x2.0	204x2.0	204x2.0	219.1	219.1	2.6	2.6						
	Series1 系列1	Series2 系列2	Series3 系列3	Recommended Series 推荐系列										



# CHINA DONJOY TECHNOLOGY CO.,LTD.

DONJOY looking forward to your visit! Your telecommunications!



## 中国·东正 科技有限公司

温州空港新区:  
温州通海大道港富路25号  
总机: 0577-86990888  
传真: 0577-86998000

Wenzhou airport Area:  
No.25 Gangfu Road,Tonghai Avenue,  
wenzhou  
Tel: +86-577-86990888  
Fax: +86-577-86998000  
E-mail: donjoy@cndonjoy.com

[www.cndonjoy.com](http://www.cndonjoy.com)

### 法律声明:

目录样册版本属东正所有, 如有抄袭东正将追究其法律责任和经济赔偿。东正已获得国家版权局书刊号。  
东正众多技术设计, 都具有专利保护, 如有抄袭, 东正必将追究法律责任和经济赔偿。